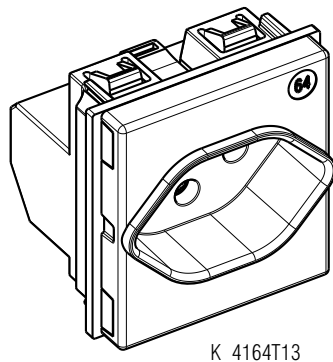
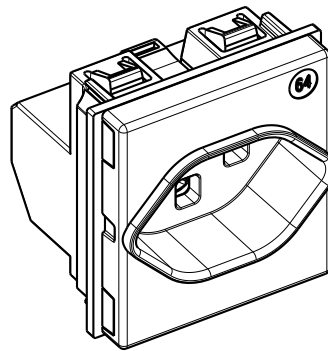


Socket outlet - Swiss standards



K_4164T13



K_4164T23

Use

Socket outlets: Swiss standards.

Connection

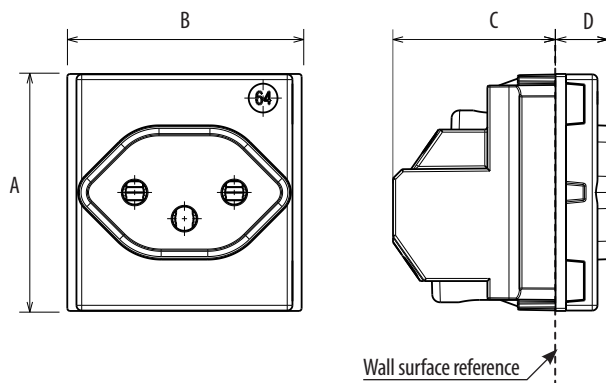
Terminal type: automatic clamps
Terminal capacity: 2 x 2.5mm²
max Stripping length: 12 mm

Range

Designation	Cat. No.	Related Cover Codes
2 P+E 10 A 250 Vac socket Type 13 shielded tulip contact Ø 4 mm	<input type="checkbox"/> KW4164T13	<input type="checkbox"/> KW64
	<input type="checkbox"/> KM4164T13	<input type="checkbox"/> KM64
	<input type="checkbox"/> KG4164T13	<input type="checkbox"/> KG64
2 P+E 16 A 250 Vac socket Type 23 shielded tulip contact Ø 4 mm	<input type="checkbox"/> KW4164T23	<input type="checkbox"/> KW64
	<input type="checkbox"/> KM4164T23	<input type="checkbox"/> KM64
	<input type="checkbox"/> KG4164T23	<input type="checkbox"/> KG64

Colours code: White Sand Black

Overall dimensions (mm)



	A	B	C	D
K.4164T13	45	45	30	10
K.4164T23	45	45	30	10

Technical characteristics

- **Protection index**
(considering a complete installation, including cover plate)
Penetration by solid bodies/liquid: IP20D
- **Mechanical characteristics**
Impact test: IK 04
- **Material characteristics**
Material:
Case and Key cover: PC (Polycarbonate)
Halogen free.
UV resistant.

Self-extinguishing:
850° C / 30 s for insulating parts holding live parts in place
650° C / 30 s for other parts made of insulating materials
- **Electrical characteristics**
Voltage: 250V a.c.
Current: K.4164T13 10A
K.4164T23 16A
- **Climatic characteristics**
Storage temperature: - 10° C to + 70° C Use
temperature: - 5° C to + 35° C

Cleaning

Clean the surface with a cloth.
Do not use acetone, tar-removing cleaning agents or trichloroethylene.
Caution: Always test before using special cleaning products.

Standards and approvals

Compliance with standards IEC/EN 60884-1
Refer to e.catalogue.