

Box for use with fire alarm units and Relergy™ control panel sources

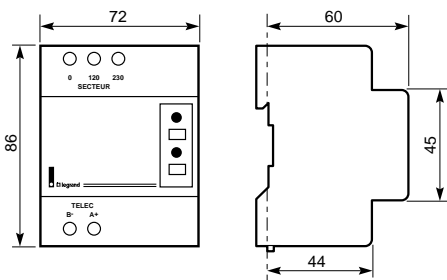
039 01

1. CHARACTERISTICS

Up to 300 units

230 V~ - 50-60 Hz
 Fixed on 1 rail
 With mains power absent, can be used to set the emergency lighting and Relergy™ control panel source to rest-mode
 Output pulse calibrated electronically regardless of the length of time for which the button is pressed
 LED "On" indication
 Units can be tested without disconnecting the mains

Note: addressable units are controlled remotely by control panel Cat. No. 628 00



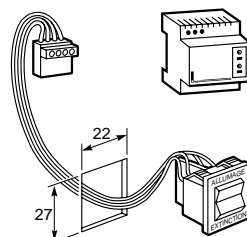
Supply: 230 V~
 Output voltage: 9 V
 Consumption of remote control for each emergency unit: 0.2 mA
 Permitted voltage at end of line in order for unit remote control to work: 6 V

2. DESCRIPTION

The 039 01 can be used to set emergency units to rest-mode when they are switched off (deliberate disconnection of the mains) or in the event of a fault (after evacuation of the building). It can also be used to control and programme the various emergency unit test systems. Information on these additional functions is given in the emergency unit instruction manuals
 The remote control can be located at a distance using cable 609 48 (on the door of an enclosure for example)

Locating the remote control at a distance

Cat. No. 609 48 cable length 1m with pushbutton and connector
 Can only be used with Cat. No. 039 01



3. OPERATING CONDITIONS

- Art. EC 15 § 1 of safety regulation (modified decree of 15.06.1980)
 Art. EC 15
 Self-contained emergency lighting units
 § 1. Self-contained emergency lighting units must have a device for setting to rest-mode from a central point
 This device must be located near the general lighting control unit for the building
 The normal supply to the units must be switched off. They are then set to rest-mode from a central point at the end of each period of activity in the building

A remote control device is mandatory in all establishments governed by book II of fire safety regulations
 Its function is to set all units to rest-mode after the mains supply has been switched off (at the end of a period of activity or after deliberate disconnection for maintenance operations)

It is only operational when the mains power is absent Restoration of mains power automatically cancels rest-mode

Good design and correct use of a remote control installation increases the safety and service life of equipment

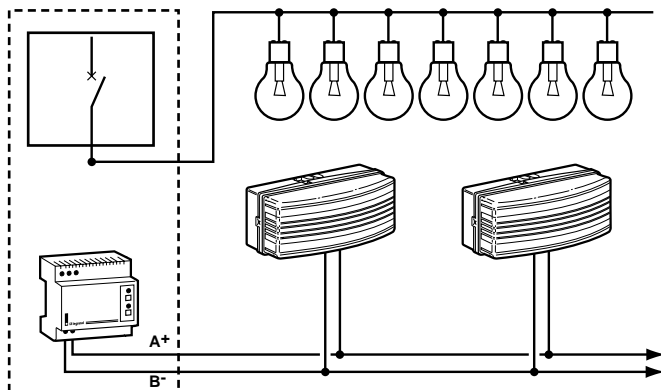
a) Daily disconnection of the mains supply reduces the amount of time the units are powered up
 The minimum average service life of the batteries in the units is 35,000 hours
 They can be used either:
 - 24 hours a day for 4 years
 - 12 hrs per day for 8 years if the units are set to rest-mode every day

b) Daily disconnection of the mains supply without setting to rest-mode results in daily discharge of the units and premature wear of the components:
 - the emergency bulbs are designed for a minimum service life of 100 hours (50 discharges of 2 hours when the unit is new)
 - the batteries have a service life of 500 discharge cycles. To avoid these drawbacks, it is important to set the units to rest-mode whenever the supply is deliberately disconnected, **even during construction work**

c) The purpose of the emergency lighting is to provide backup lighting allowing the occupants to leave the building safely. Setting the units to rest-mode preserves the energy stored in the batteries and means that an operation-ready installation is available as soon as the building is open, even if power failures occurred during the night. This is not the case if the units are left powered up

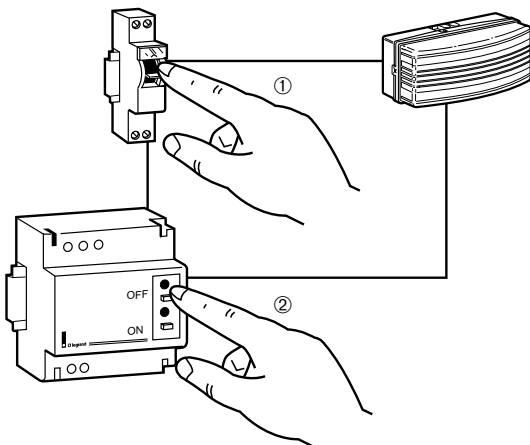
4. WIRING

The switch for the remote control must be located near the general lighting control device for the premises



If the mains power supply is required on each lighting circuit, all the units must be connected on the same remote control line

Operating instructions must be given to the last person to leave the building, and they can also be displayed near the general disconnection switch



- ① Switch off the power supply (the lighting goes off, the units light up)
- ② Set the units to rest mode

Caution : on completion of these operations, the building is in complete darkness. Both these units should be located near the exit door to allow the person to leave the premises easily. This must be provided for in the building design

5. LOGISTICS INFORMATION

Packed in units of	1
Pre-packed in units of	12
Weight	0.244 kg
Volume	1,010 dm ³

6. EXTENDING THE INSTALLATION

For large installations, the capacity of the system can be increased by using relay unit Cat. No. 039 03 (see product manual for this catalogue number)

7. AUTOMATIC REMOTE CONTROL

It may be desirable to ensure that setting to rest-mode is performed calmly and efficiently

In this case, the automatic remote control unit with key-operated switch Cat. No. 039 02 performs all the necessary operations efficiently in one step (see product manual for this catalogue number)