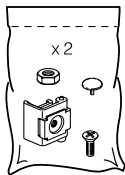
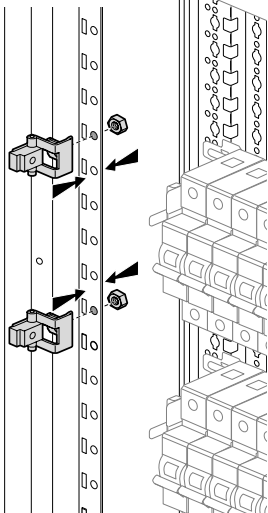


9530KC

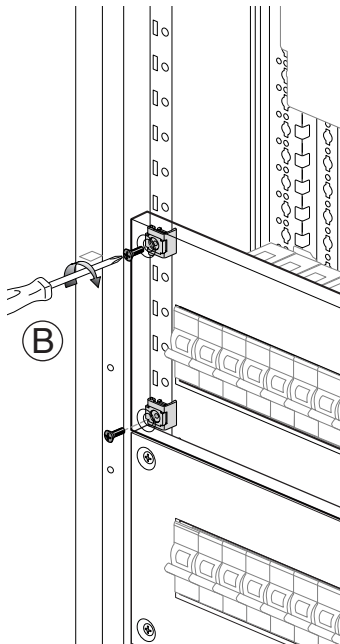
x2



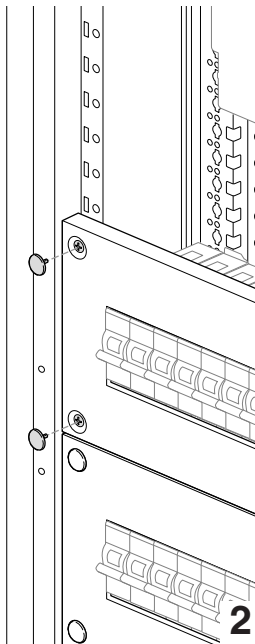
A



B



C



2