

Heating/air conditioning room thermostat

Description

2-module stand-alone thermostat that records the room temperature and allows its adjustment.

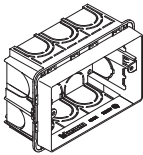
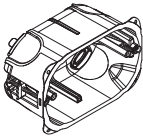
It controls the temperature by means of an electronic sensor that controls an output relay with 1 x 5 (2) A potential free deviation contact.

It is also possible to adjust the antifreeze temperature, which automatically activates when the device is switched off.

On the front of the device are:

- the - and + temperature adjustment commands;
- the on/off command
- temperature/status display (automatically reduced brightness when in standby).

Compatible boxes

	
502E	PB502N
503E	PB503N
504E	PB504N
506L	PB506N

Device NOT COMPATIBLE with:

- 502EF, 503EF, 504EF, 506EF (accessories for masonry walls);
- PB502NNF, PB503NNF, PB504NNF, PB506NNF (accessories for plasterboard walls).

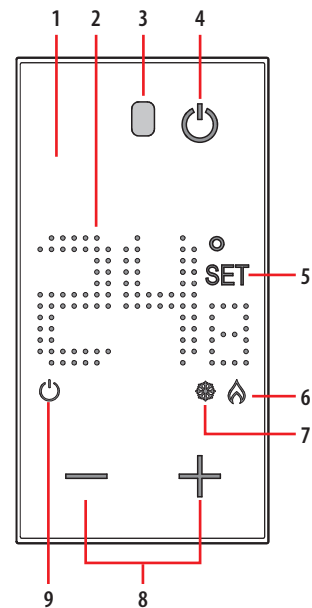
Technical data

Power supply:	110 – 240 Vac , 50/60Hz
Absorption:	2 W max
Maximum cable section:	1 x 1.5mm ²
Operating temperature:	0 – 40 °C
Temperature set-point:	3 – 40 °C; increase of 0.5 °C
Type of activation:	1BU
Pollution level:	2
Rated pulse voltage:	4 kV
Contact output:	5(2) A

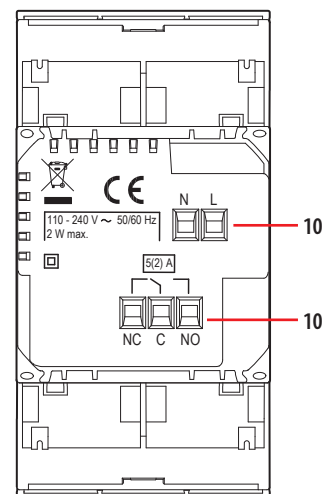
Dimensional data

Size: 2 flush mounted modules.

Front view



Rear view



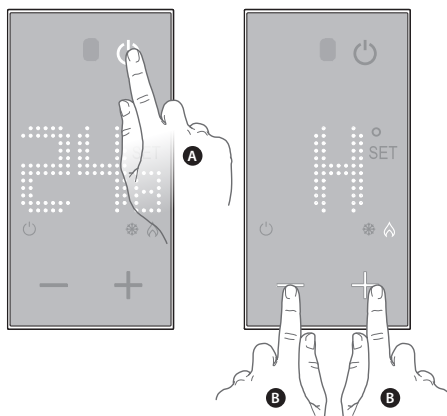
Legend

1. Backlight display
2. Temperature display
3. Lighting sensor
4. ON / OFF key
sets the system OFF
anti-frost (7 °C)
or heat-protection (35 °C) mode
5. Temperature setting indicator:
appears when the temperature is being set
6. ON heating indicator
7. ON cooling indicator
8. Keys for temperature setting
9. Thermostat OFF indicator (see point 4)
10. Connection clamps (see diagrams)

Heating/air conditioning room thermostat

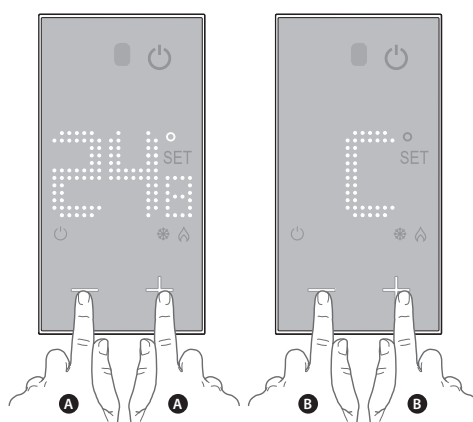
Configuration

Heating/cooling system mode setting



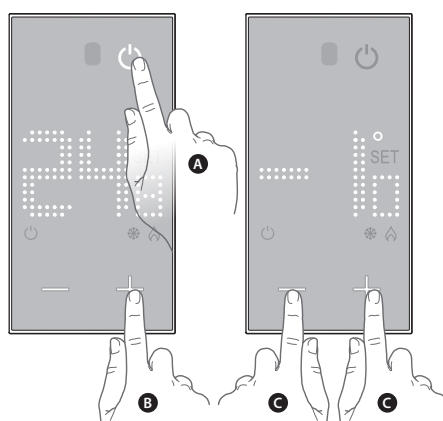
Touch the ON/OFF key (A) for more than 5 seconds. The current mode (H = heating, C = cooling) is displayed. Touch the + or - keys (B) to modify it.

Temperature format setting



Touch both the + and - keys (A) for more than 5 seconds. The current temperature format is displayed (C = degrees Celsius, F = degrees Fahrenheit). Touch the + or - keys to modify it.

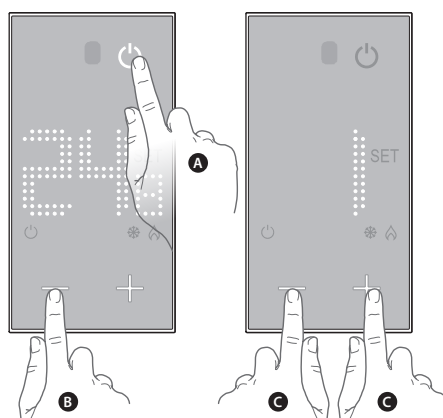
Temperature calibration



Touch both the ON/OFF (A) and + (B) keys for more than 5 seconds. The deviation between the measured temperature and the temperature displayed by the thermostat is displayed. Touch the + or - keys to modify it.

Note: wait a few minutes before checking the measured room temperature again.

Display brightness adjustment



Touch ON/OFF (A) and - (B) at the same time for more than 5 seconds to display the brightness adjustment setting. Touch + or - to adjust the brightness as desired.

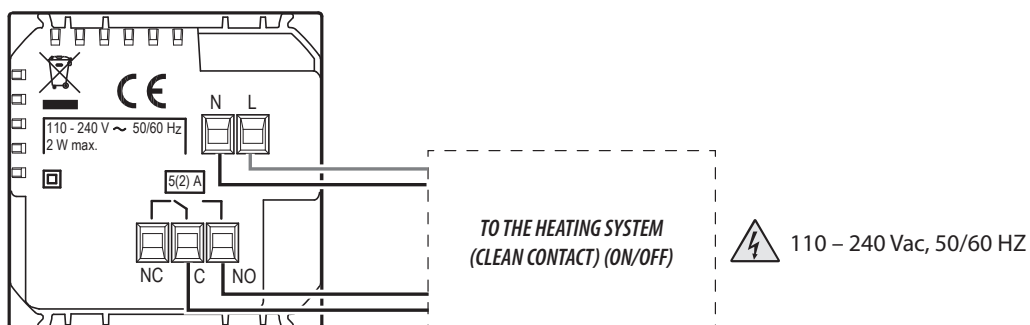
The following settings are available:

- A2: automatic adjustment, the display is always on
- A1: automatic adjustment, display can turn off
- 0...3: fixed adjustment. When set to 0, in standby the display switches off completely.

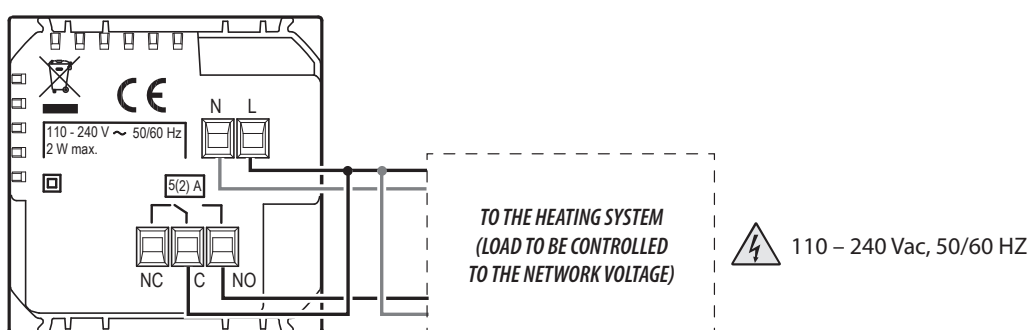
Heating/air conditioning room thermostat

Wiring diagrams

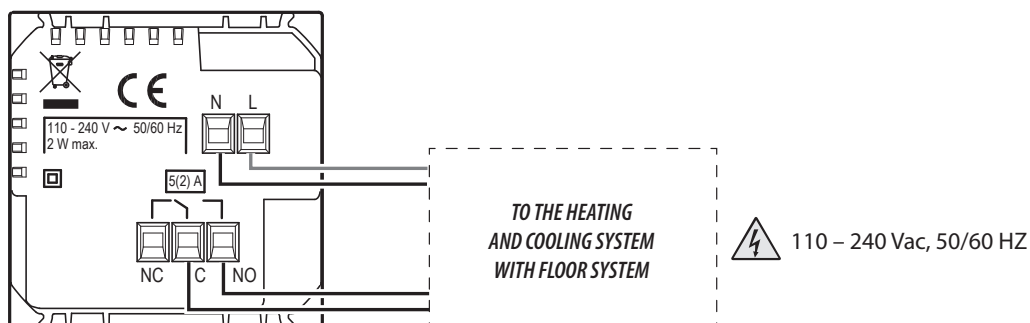
System only for heating with clean contact (e.g. boiler agreement)



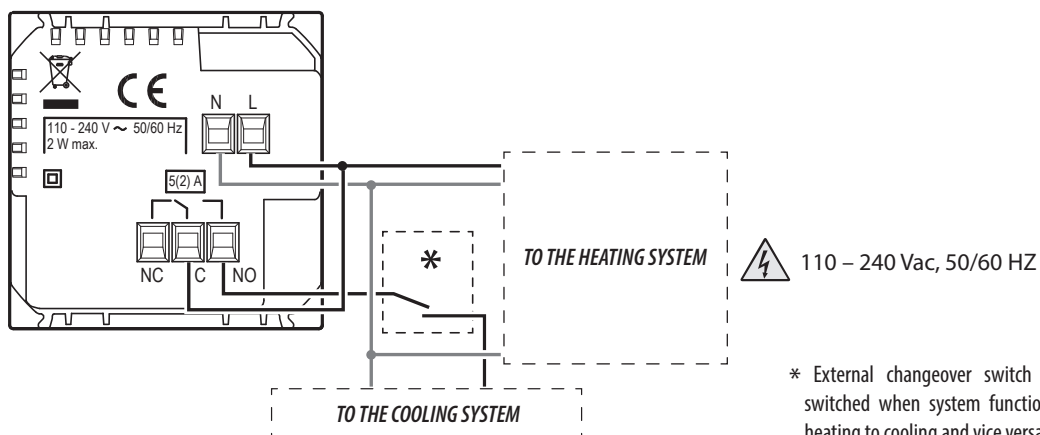
System only for heating with load to be controlled to the network voltage (e.g. 230Vac solenoid valve)



Heating and cooling with floor system



Heating and cooling with different systems



* External changeover switch must be properly switched when system function is changed from heating to cooling and vice versa.