

Control device 2M

MX5222 - MX5222C - Y4652M2

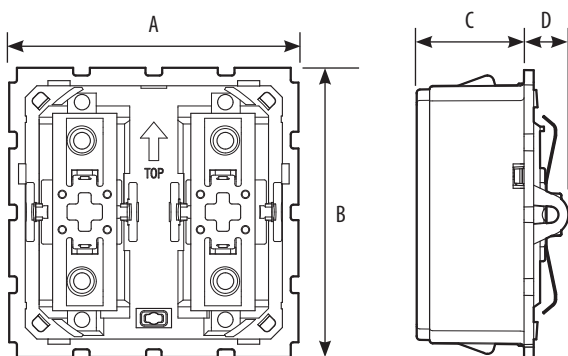
Description

Two-module flush mounted control, capable of handling functions up to: 4 ON/OFF lights and dimmer, 2 shutter up/down and advanced features such as 4 scenario activations and VDE floor call functions, staircase light switch-on and lock activation. To be completed with 1 or 2-module covers. In case of management of groups of lights, this device support the return state (please check the production date starting from 26W17).

Technical data

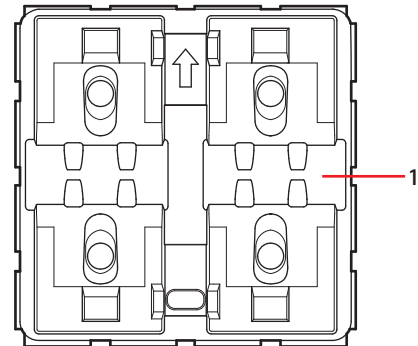
Power supply from SCS BUS: 18 – 27 Vdc
 Absorption: 6 mA (stand-by)
 7 mA (max)
 Operating temperature: 0 – 40 °C

Dimensional data

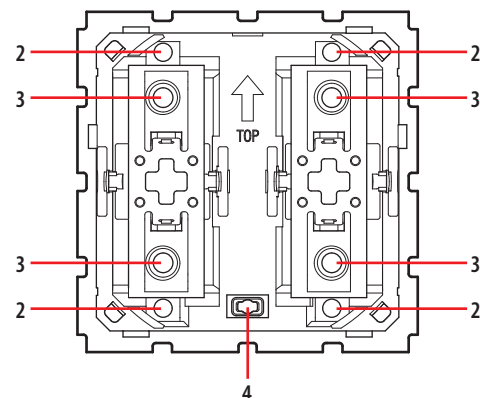


A	B	C	D
45 mm	45 mm	16.7 mm	6.9 mm

Front view



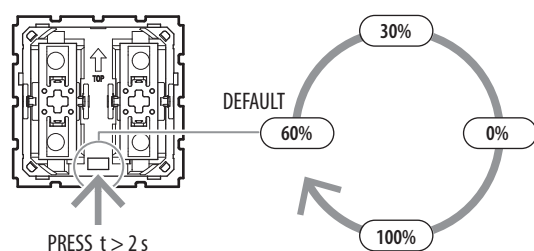
Front view without protective shell



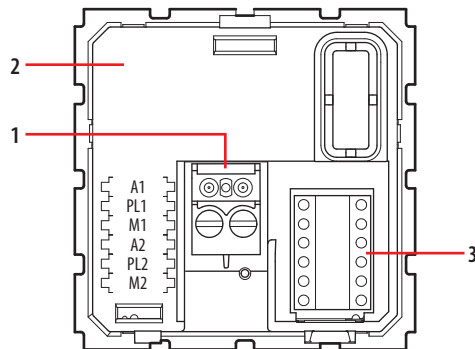
Legend

1. Protective shell
2. Status notification LED
Y4652M2:
 Blue steady = load ON
 White steady = load OFF
 Blue flashing = object not configured
MX5222/MX5222C:
 Purple steady = load ON
 Blue steady = load OFF
 Purple flashing = object not configured
3. Control pushbutton
4. LED pushbutton (*)

(*) With the device configured, by pressing the LED button it is possible to set whether the LEDs should always be on (maximum level, medium level or minimum level) or off. Starting from **MEDIUM LEVEL**, when the pushbutton is kept pressed, every 2 seconds the LED lights will switch from **MINIMUM**, to **OFF**, to **MAXIMUM**, to **MEDIUM** level.



Rear view



Legend

1. BUS clamp
2. Safety and sealing clear cap
Caution: do not delete
3. Configurator socket:
 - A1 = area 1
 - PL1 = light point 1
 - M1 = mode 1
 - A2 = area 2
 - PL2 = light point 2
 - M2 = mode 2

List of functions

The device create the following functions:

- Light control
- Automation control
- Plus programmed scenario activation
- Video door entry controls
- Commands only available with virtual configuration

Configuration

For device configuration and installation and for any other information, refer to the App or documentation that can be downloaded from the on-line catalogue of the device.

Download App



Home + Control



Home + Project

The apps can be downloaded from their respective stores.

It is recommended to update the smartphone or tablet operating systems to the latest available version.

In addition, PHYSICAL CONFIGURATION will continue to be guaranteed by inserting the configurators in the appropriate housings (*).

The configuration using Home + Project has the advantage of offering many more options when compared with the physical configuration.

For the list of modes and the corresponding meanings refer to the indications of this technical sheet and the Home + Project app.

(*) Physical configuration

1. Light control

1.1 Addressing

Address type		Configurators
Point-to-point	Room	A1, A2=1-9
	Light point	PL1, PL2=1-9
Room		A1, A2=AMB, PL1, PL2=1-9
Group		A1, A2=GR, PL1, PL2=1-9
General		A1, A2=GEN, PL1, PL2=0

1.2 Mode

1.2.1 ON/OFF control

Function	Parameter / setting	Configurators	
Cyclical		M1, M2=0	
	ON	M1, M2=ON	
	OFF	M1, M2=OFF	
Pushbutton		M1, M2=PUL	
	Timed ON*	0,5 sec	M=8
		30 sec	M=7
		1 min	M=1
		2 min	M=2

1.2.2 ON/OFF control and ADJUSTMENT (Point-to-Point only):

Function	Configurators
Cyclical ON/OFF and ADJUSTMENT. ON/OFF when pressing briefly and adjustment when holding down.	M1, M2=0
ON with upper button, OFF with lower button and DIMMER when held down	M1, M2=0/I

2. Automation control

2.1 Addressing

Address type		Configurators
Point-to-point	Room	A1, A2=1-9
	Light point	PL1, PL2=1-9
Room		A1, A2=AMB, PL1, PL2=1-9
Group		A1, A2=GR, PL1, PL2=1-9
General		A1, A2=GEN, PL1, PL2=0

2.2 Mode

Function	Configurators
Bistable control	M1, M2=↑↓
Monostable control	M1, M2=↑↓M
Monostable when pressing briefly and bistable when holding down	M1, M2=6

3. Video door entry functions

3.1 Door lock release control

3.1.1 Addressing

Addressing type	Configurators
Entrance panel address	A=1-9 PL=1-9 ¹⁾

Note ¹⁾: Set the P address (two digits) of the entrance panel from which to control the door lock using the bottom left module. The bottom right module controls the door lock of entrance panel P+1 se A2=PL2=M2=0.

Type of function

Function	Configurators
Door lock release control	M1, M2=3

3.2 Floor call control

3.2.1 Addressing

Define the address (two digits) of the internal unit to be called using the control device.

Addressing type	Configurators
Internal unit address	A=1-9 PL=1-9
General	A=GEN A/PL=0

Type of function:

Function	Configurators
Floor call control	M=4

3.3 Staircase lights control

3.3.1 Addressing

The device takes on the function of pushbutton for switching on the lights of the internal unit identified by its own address (two digits).

Addressing type	Configurators
Internal unit address	A=1-9 PL=1-9

Type of function:

Function	Configurators
Staircase lights control	M=5