

Actuator / control for rolling shutter

Description

Flush mounted two-module shutter actuator/control with 2 internal 2A 250 VA relays. In addition to the monostable and bistable functionality, it allows the management of the specific shutter position (preset). The device can also be configured to manage a remote actuator.

To be completed with 1 module cover.

In case of management of groups of lights, this device can manage the return state (the logic will be inside the gateway, example: F460,...).

Technical data

Operating temperature: 0 – 40 °C
 Voltage: 110 – 230 Vac
 Operating frequency: 50/60 Hz
 Cable section: 2 x 1,5 mm² or 1 x 2,5 mm²
 Power supply from SCS Bus: 18 – 27 Vdc
 Absorption (max. LED intensity): 4,1 mA (stand-by)
 18,5 mA max (max one load)
 30 mA (max two loads)

Loads	Reducer motors for shutters	
230 Vac	460 W	2 A
110 Vac	250 W	2 A

Dimensional data

Size: 2 flush mounted modules.

Configuration

For device configuration and installation and for any other information, refer to the following instructions or to the documentation available in the on-line catalogue of the device.

[Download App](#)



Home + Project

Android: it is recommended the use of the latest version of Android with access to Google Play

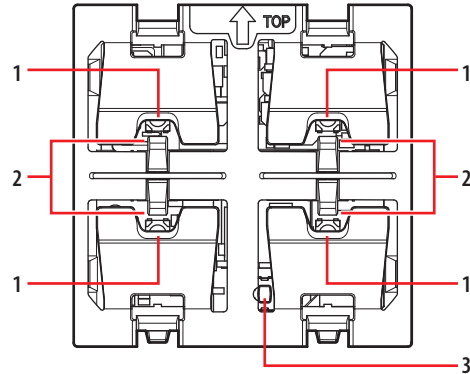


iOS: it is recommended the use of the latest version of iOS or iPadOS

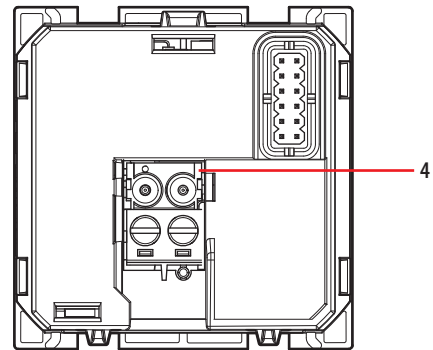


Apple, the Apple logo, Apple TV, Apple Watch, HomeKit, Apple Home, HomePod, HomePod mini, iPad, iPad Air, iPad mini, iPadOS, iPad Pro, iPhone, iPod, Mac, and Siri are trademarks of Apple Inc., registered in the U.S. and other countries. Multi-Touch and tvOS are trademarks of Apple Inc. App Store, iCloud+, and iTunes Store are service marks of Apple Inc., registered in the U.S. and other countries. IOS is a trademark or registered trademark of Cisco in the U.S. and other countries and is used under license. Other product and company names mentioned herein may be trademarks of their respective companies. Google, Google Home, Google Play, Android, and related marks and logos are trademarks of Google LLC. Amazon, Alexa and all related logos are trademarks of Amazon.com, Inc. or its affiliates.

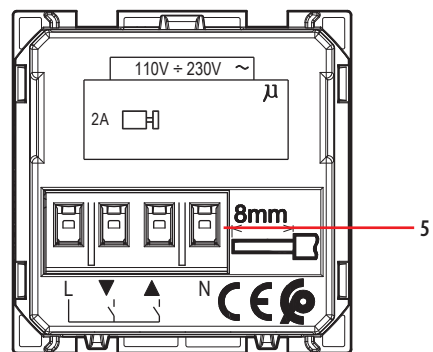
Control module front view



Control module rear view



Relay module rear view

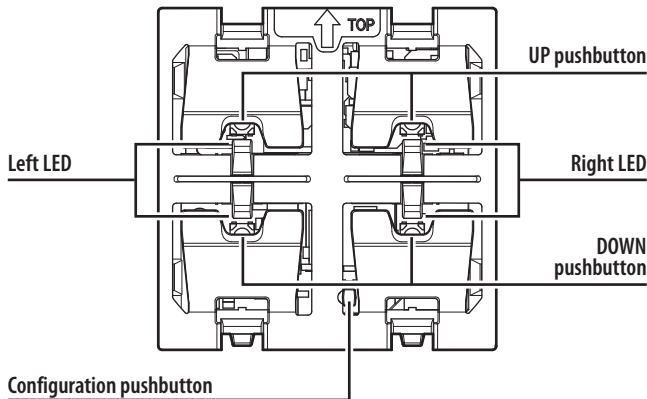


Legend

- Control pushbuttons
- Status notification LED
Blue steady: load ON
White steady: load OFF
Flashing: object not configured or no neutral
- LED pushbutton
- BUS connector
- Clamps (2 x 2.5 mm²) connection to the load

Actuator / control for rolling shutter

Calibration of the shutter position



Manual calibration of the shutter position

This operation ensures that the actuator saves the shutter opening and closing positions.

1. Press the configuration pushbutton for at least 3 seconds. All the LEDs will come on blue.
2. Release the configuration pushbutton. The left LED will flash quickly.
3. Press and release the left "UP" pushbutton. The shutter will move upwards, and the left up LEDs will flash slowly.
4. Once the shutter has reached the maximum opening position, press the left "DOWN" pushbutton. The shutter will move downwards, and the left down LED will flash slowly.
During this stage, the actuator measures and saves the time it takes the shutter to close.
5. When the shutter is fully closed, press and release the left "UP" pushbutton. The shutter will move upwards, and the left up LED will flash slowly. During this stage, to enable the actuator to measure and save the time it takes the shutter to open.
6. When the shutter maximum opening position is reached, press the left "DOWN" pushbutton again to complete the calibration procedure. The left LEDs will return to white steady.

WARNING: the calibration precision, and therefore the control of the shutter position, depends on the accuracy with which the limit switch positions are manually detected during the calibration itself.

Saving the new shutter position (Preset)

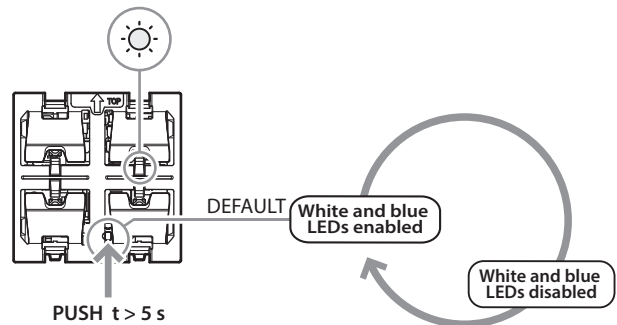
The Preset function gives the possibility of setting the shutter in one of the 9 positions that can be selected through the configurator in the Pre socket. It is also possible to set a different position as required by the user. The procedure, which can be performed from the control device, or the actuator, is as follows:

1. Press the "UP" and "DOWN" pushbuttons to move the shutter to the desired position.
2. Press the STOP pushbutton for at least 10 seconds. The actuator saves the position of the shutter.
3. To confirm that the position has been saved correctly, the left LED will turn blue for 2 seconds.

Irrespective of the shutter position, once this has been stopped by pressing the STOP pushbutton, it will be possible to move it to the preset position.

NOTE: the correct operation of the PRESET function with shutters with adjustment of the blades is only guaranteed when a pulse motor is used.

LED adjustment *



1. Press the configuration pushbutton for at least 5 seconds. All the LEDs will turn blue after 3 seconds, and then white again after 5 seconds;
2. Press and hold down the pushbutton, LED operation will change every 2 seconds as shown in the drawing;
3. Once the desired status has been reached, release the pushbutton.

(*) In Home + Project app, it is possible to configure also the option White LED disabled and blue LED enabled (for the status of the load).

Wiring diagrams

Wiring diagram for shutter connection

