

**Actuator - Control for lights and generic loads**

**Description**

Flush mounted two-module actuator/command with 2 independent relays and neutral for “zero crossing” function” - for single or double loads.

The actuator may also be configured for the management of the connected load, whilst at the same time operating as a “control device” for the management of one or more remote actuators, with operating modes typical of 2-module basic command K4652M2M.

To be completed with 1 module cover.

In case of management of groups of lights, this device can manage the return state (the logic will be inside the gateway, example: F460,...).

**Technical data**

Operating temperature:	0 – 40 °C
Voltage:	110 – 230 Vac
Operating frequency:	50/60 Hz
Cable section:	2 x 1.5 mm <sup>2</sup> or 1 x 2.5 mm <sup>2</sup>
Power supply from SCS Bus:	18 – 27 Vdc
Absorption (max. LED intensity):	4.1 mA (stand-by) 18.5 mA max (max one load) 30 mA (max two loads)

Loads	Filament lamp or halogen lamp	LED lamp (*), Fluorescent compact
230 Vac	1380 W	250 A
110 Vac	660 W	110 A

Loads	Electronic transformer	Ferromagnetic transformer
230 Vac	460 W	460 Va
110 Vac	220 W	200 Va

(\* ) Or max 10 lamps. For good lighting comfort, we recommend the use of lamps of the same type and from the same supplier. Compatibility with all lamps in ON/OFF mode.

**Dimensional data**

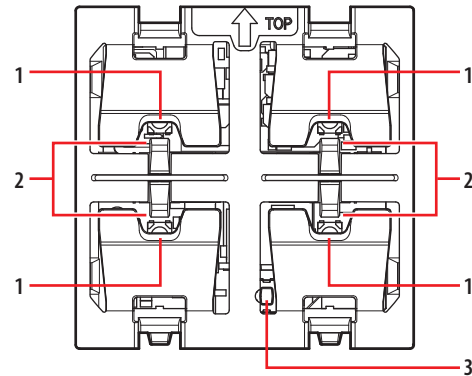
Size: 2 flush mounted modules.

**LED adjustment**

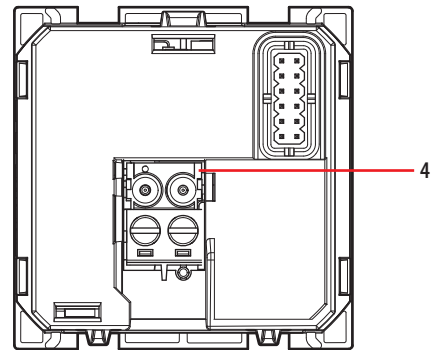
After configuration, use the LED pushbutton to set the LED in the “always on” or “always off” status.

Press and hold down the pushbutton more than 2 seconds to change the status every 2 seconds. Release to confirm the desired status.

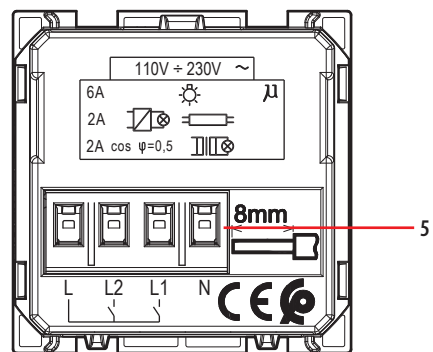
Control module front view



Control module rear view



Relay module rear view



**Legend**

1. Control pushbuttons
2. Status notification LED  
Blue steady: load ON  
White steady: load OFF  
Flashing: object not configured or no neutral
3. LED pushbutton
4. BUS connector
5. Clamps (2 x 2.5 mm<sup>2</sup>) connection to the load

## Actuator - Control for lights and generic loads

### Configuration

For device configuration and installation and for any other information, refer to the following instructions or to the documentation available in the on-line catalogue of the device.

#### Download App



#### Home + Project

Android: it is recommended the use of the latest version of Android with access to Google Play



iOS: it is recommended the use of the latest version of iOS or iPadOS



Apple, the Apple logo, Apple TV, Apple Watch, HomeKit, Apple Home, HomePod, HomePod mini, iPad, iPad Air, iPad mini, iPadOS, iPad Pro, iPhone, iPod, Mac, and Siri are trademarks of Apple Inc., registered in the U.S. and other countries. Multi-Touch and tvOS are trademarks of Apple Inc. App Store, iCloud+, and iTunes Store are service marks of Apple Inc., registered in the U.S. and other countries. IOS is a trademark or registered trademark of Cisco in the U.S. and other countries and is used under license. Other product and company names mentioned herein may be trademarks of their respective companies. Google, Google Home, Google Play, Android, and related marks and logos are trademarks of Google LLC. Amazon, Alexa and all related logos are trademarks of Amazon.com, Inc. or its affiliates.

### Use of an actuator without neutral

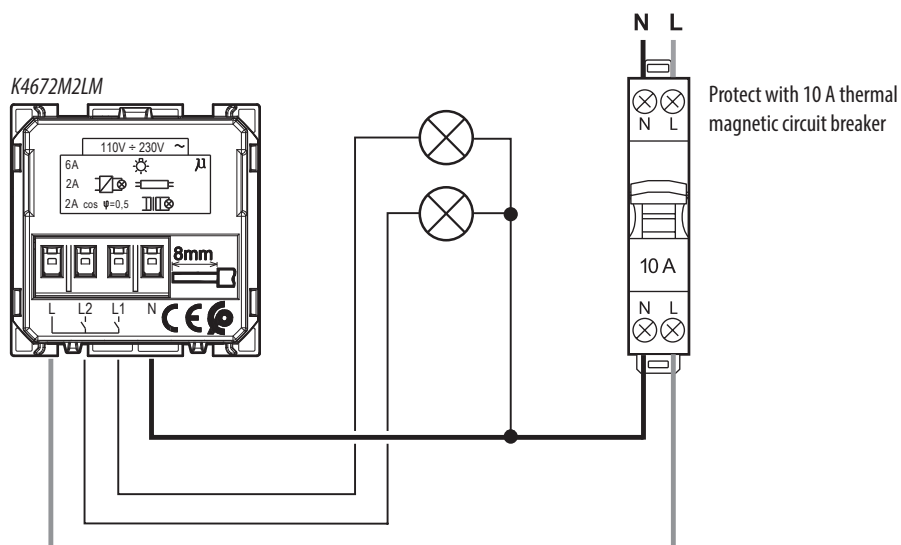
Correct use of the product requires the connection of the neutral wire (see connection diagram). If the neutral is not connected the LEDs flash and the device will no longer perform any commands.

When the neutral cannot be brought to the product it will be used without neutral, with reduction of the outputs (see table of loads on page 1).

When configuring with Home + Project app the product can be configured to work without neutral.

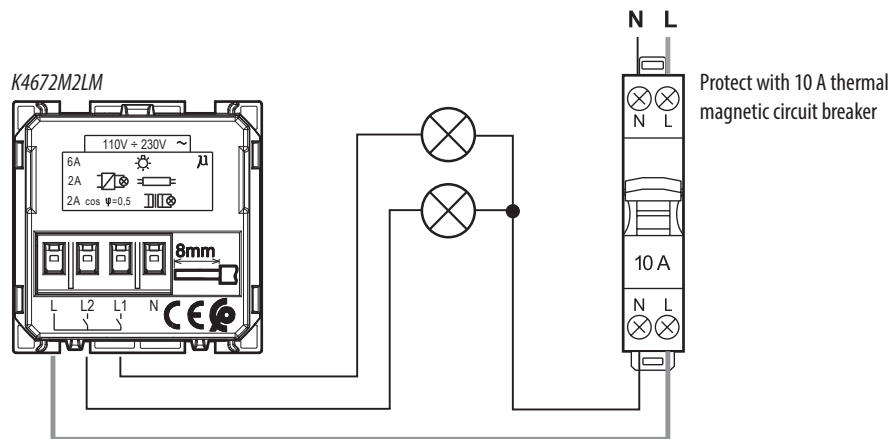
### Wiring diagrams

#### Wiring diagram for light connection



## Actuator - Control for lights and generic loads

Wiring diagram for light without neutral connection



**Note:** to use without neutral (see paragraph "Use of an actuator without neutral").