

Control device

Description

Two-module flush mounted control, capable of handling functions up to: 4 ON/OFF lights and dimmer, 2 shutter up/down and advanced features such as 4 scenario activations and VDE floor call functions, staircase light switch-on and lock activation. To be completed with 1 module cover.
In case of management of groups of lights, this device can manage the return state (the logic will be inside the gateway, example: F460,...).

Technical data

Power supply from BUS SCS: 18 – 27 Vdc
Power consumption at maximum LED intensity: 4.1 mA (stand-by)
6.7 mA (max)
Operating temperature: 0 – 40 °C

Dimensional data

Size: 2 flush mounted modules.

Configuration

For device configuration and installation and for any other information, refer to the following instructions or to the documentation available in the on-line catalogue of the device.

Download App



Home + Project

Android: it is recommended the use of the latest version of Android with access to Google Play



iOS: it is recommended the use of the latest version of iOS or iPadOS



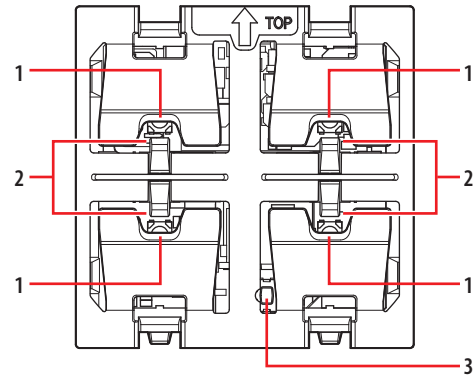
Apple, the Apple logo, Apple TV, Apple Watch, HomeKit, Apple Home, HomePod, HomePod mini, iPad, iPad Air, iPad mini, iPadOS, iPad Pro, iPhone, iPod, Mac, and Siri are trademarks of Apple Inc., registered in the U.S. and other countries. Multi-Touch and tvOS are trademarks of Apple Inc. App Store, iCloud+, and iTunes Store are service marks of Apple Inc., registered in the U.S. and other countries. IOS is a trademark or registered trademark of Cisco in the U.S. and other countries and is used under license. Other product and company names mentioned herein may be trademarks of their respective companies. Google, Google Home, Google Play, Android, and related marks and logos are trademarks of Google LLC. Amazon, Alexa and all related logos are trademarks of Amazon.com, Inc. or its affiliates.

List of functions

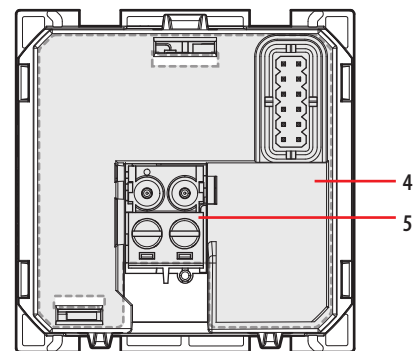
The device performs the following functions:

1. LIGHT SWITCH
2. AUTOMATION CONTROL
3. PLUS PROGRAMMED SCENARIO ACTIVATION
4. VIDEO DOOR ENTRY SYSTEM CONTROLS
5. COMMANDS ONLY AVAILABLE WITH VIRTUAL CONFIGURATION

Front view



Rear view



Legend

1. Control pushbuttons
2. Status notification LED
Blue steady: load ON
White steady: load OFF
Flashing: object not configured
3. LED pushbutton
4. Safety and sealing clear cap.
Caution: do not delete
5. BUS connector

LED adjustment

After configuration, use the LED pushbutton to set the LED in the “always on” or “always off” status.
Press and hold down the pushbutton more than 2 seconds to change the status every 2 seconds. Release to confirm the desired status.