

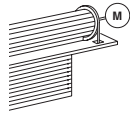
**Actuator / control for rolling shutter**

**Description**

Actuator for flush mounted 2-module rolling shutters, with 2 internal relays. It is possible to manage the specific position of the rolling shutter. The device can also be configured to manage a remote actuator.

**Technical data**

Operating voltage:	110 – 230 Vac
Operating power supply with SCS BUS:	22 – 27 Vdc
Power consumption at maximum LED intensity:	8.7 mA (standby)
	25.4 mA (max - single load)
Clamp dimension:	2 x 2,5 mm <sup>2</sup>
Operating temperature:	5 – 45 °C



Loads	Reducer motors for rolling shutters	
230 Vac	460 W	2 A
110 Vac	250 W	2 A

**Dimensional data**

Size: 2 flush mounted modules.

**Configuring MyHOME**

The device can be configured using the MyHOME\_Up app with firmware versions after 2.1 and with app versions after 2.2 (for the use see the relevant documentation).

For this device, the MyHOME Server automatically configures 1 channel. For more details see the MyHOME Server documentation.

As an alternative, it is also possible to use the MyHOME\_Suite configuration software (version after 03.03.73), or physical configurators connected to the appropriate sockets.

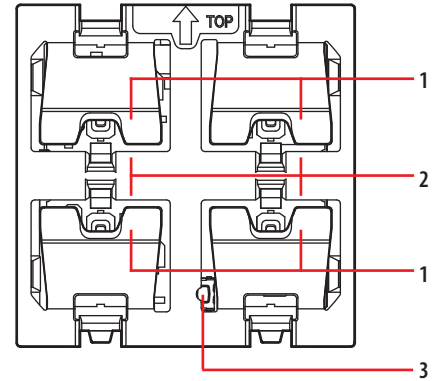
**List of functions**

The device performs the following functions:

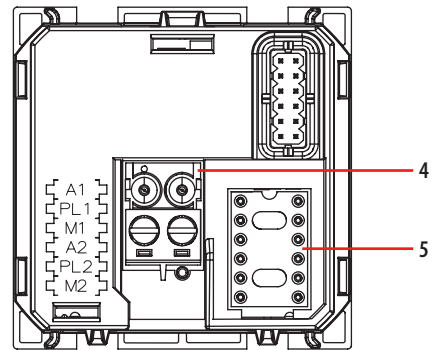
1. ACTUATOR MODE FOR ROLLING SHUTTER AUTOMATION WITH LOCAL CONTROL
2. ACTUATOR FOR 1 LOAD (SHUTTERS AUTOMATION) WITH LOCAL CONTROL BY THE LEFT BUTTON AND REMOTE ACTUATOR OR SCENARIO CONTROL BY THE RIGHT BUTTON
3. MODE OF OPERATION OF THE CONTROL BY THE RIGHT BUTTON
4. PLUS PROGRAMMED SCENARIO ACTIVATION

See the following pages for the configuration procedures.

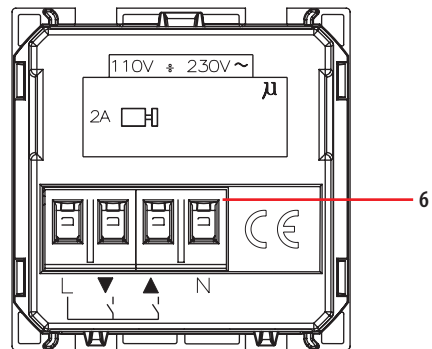
Control module front view



Control module rear view



Relay module rear view



**Legend**

1. Control pushbuttons
2. Status notification LED  
Blue steady: load ON  
White steady: load OFF  
Flashing: object not configured or no neutral
3. LED pushbutton
4. BUS connector
5. Configurator socket
6. Clamps (2 x 2.5 mm<sup>2</sup>) connection to the load

## Actuator / control for rolling shutter

### Configuration

#### 1. Actuator mode for rolling shutter automation with local control

Configure A1, M1 and PL1 to define the local actuator address and mode.

##### 1.1 Addressing

Address type		Virtual configuration (MyHOME_Suite)	Physical configuration
Apartment	Room	0 – 10	A1=1 – 9
	Lighting point	0 – 15	PL1=1 – 9

To configure the group address (1-10) from 0 to 255 use the MyHOME\_Suite virtual configuration.

##### 1.2 Automation

Virtual configuration (MyHOME_Suite) *			Physical configuration	
			Standard motor	Pulse motor
Function	Parameter / setting			
Shutter UP/DOWN with STOP after 2 minutes. The actuator ignores Room and General controls	Master PUL		M1= PUL	M1= 6
Shutter UP/DOWN with STOP after the defined time	Master, Slave		M1= SLA	M1= 7
UP/DOWN monostable	-		M1= ↑↓M	M1= 4
UP/DOWN bistable	-		M1=↑↓ or 0	M1= 3
UP/DOWN	Monostable short pressure Bistable long pressure	-	M1= 1	M1= 5

\* Before setting the parameters, in the field "Motor type" select if the motor that automates the rolling shutter is "Standard" or "Pulse".

To use "Actuator as Slave with PUL function", the "Load type" (Actuator, Blinds, Curtains, Gate, Garage door) and define the STOP time 1 – 60 sec. use the MyHOME\_Suite virtual configuration.

#### 2. Actuator for 1 load (shutters automation) with local control by the left button and remote actuator or scenario control by the right button

##### 2.1 Addressing

Configure A1, M1 and PL1 to define the local actuator address and mode of operation (controlled by the left button) as specified in paragraphs 1.1 and 1.3.

Configure A2 PL2 to define the address of the remote actuator to be managed, according to the following table:

Address type		Virtual configuration (MyHOME_Suite)	Physical configuration
Point-to-point	Room	0 – 10	A2= 1 – 9
	Lighting point	0 – 15	PL2= 1 – 9
Room		0 – 10	A2= AMB, PL2= 1 – 9
Group		1 – 255	A2= GR, PL2= 1 – 9
General		General	A2= GEN

To configure the Environment and light point reference addresses of an actuator use a MyHOME\_Suite virtual configuration.

##### 2.2 Mode of operation of the remote control

See chapter 3.

## Actuator / control for rolling shutter

### 3. Mode of operation of the control by the right button

#### 3.1 ON/OFF control:

Virtual configuration (MyHOME_Suite)		Physical configuration
Function	Parameter / setting	
	Cyclic	M2=0
	ON	M2=ON
	OFF	M2=OFF
	Button	M2=PUL
Timed ON*		0,5 sec
		30 sec
		1 min
		2 min
		M=8
		M=7
		M=1
		M=2

\* For other timing functions complete the virtual configuration using MyHOME\_Suite.

#### 3.1.1 ON/OFF Control and ADJUSTMENT (Point-to-Point only):

Virtual configuration (MyHOME_Suite)		Physical configuration
Parameter / setting		
ON/OFF and cyclic ADJUSTMENT. ON/OFF when pressing briefly and adjustment when holding down.		M1, M2=0
ON with top button, OFF with bottom button and DIMMER when held down		M1, M2=0/1

For the "ON/OFF with adjustment" function, "Cyclic with custom point-to-point adjustment", "ON/OFF with custom point-to-point adjustment", "Cyclic with custom adjustment" and "Custom cyclic dimmer with no adjustment" use virtual configuration via MyHOME\_Suite.

With the virtual configuration, for the room, group or general controls, you can set a lighting point address for the return of the load status.

### 3.2. Automation control

#### 3.2.1 Addressing

Address type	Virtual configuration (MyHOME_Suite)		Physical configuration
Point-to-point	Room	0-10	A1, A2=1-9
	Lighting point	0-15	PL1, PL2=1-9
Room		0-10	A1, A2=AMB, PL1, PL2=1-9
Group		1-255	A1, A2=GR, PL1, PL2=1-9
General		general	A1, A2=GEN

**Note:** With the virtual configuration, for the room, group or general controls, you can set a lighting point address for the return of the load status.

#### 3.2.2 Mode

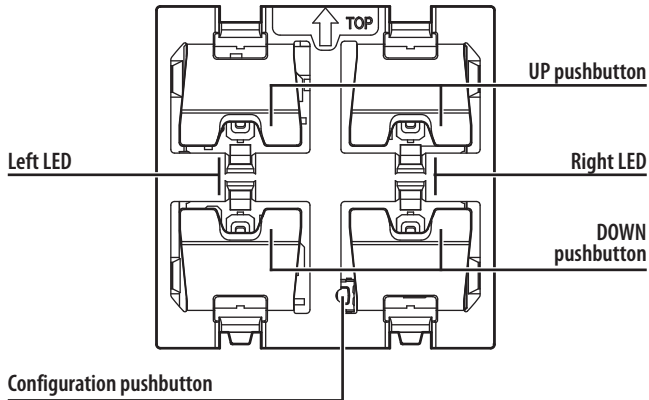
Virtual configuration (MyHOME_Suite)		Physical configuration
Parameter / setting		
Bistable control		M1, M2=↑↓
Monostable control		M1, M2=↑↓M
Bistable control and lath control		M1, M2=6

## Actuator / control for rolling shutter

### 4. Plus programmed scenario activation

To configure address 1 - 2047 of the scenario and number 0 - 31 use MyHOME\_Suite virtual configuration.

### Calibration of the shutter position



#### Manual calibration of the shutter position

This operation ensures that the actuator saves the shutter opening and closing positions.

1. Press the configuration pushbutton for at least 3 seconds. All the LEDs will come on blue.
2. Release the configuration pushbutton. The left LED will flash quickly.
3. Press and release the "UP" pushbutton. The shutter will move upwards, and the left LED will flash slowly.
4. Once the shutter has reached the maximum opening position, press the "DOWN" pushbutton. The shutter will move downwards, and the left LED will flash slowly. During this stage, the actuator measures and saves the time it takes the shutter to close.
5. When the shutter is fully closed, press and release the "UP" pushbutton. The shutter will move upwards to enable the actuator to measure and save the time it takes the shutter to open.
6. When the shutter maximum opening position is reached, press the "DOWN" pushbutton again to complete the calibration procedure. The left LED will return to white steady.

**WARNING:** the calibration precision, and therefore the control of the shutter position, depends on the accuracy with which the limit switch positions are manually detected during the calibration itself.

#### Saving the new shutter position (Preset)

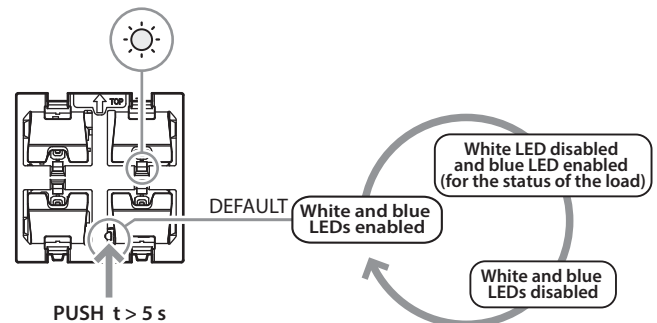
The Preset function gives the possibility of setting the shutter in one of the 9 positions that can be selected through the configurator in the Pre socket. It is also possible to set a different position as required by the user. The procedure, which can be performed from the control device, or the actuator, is as follows:

1. Press the "UP" and "DOWN" pushbuttons to move the shutter to the desired position.
2. Press the STOP pushbutton for at least 10 seconds. The actuator saves the position of the shutter.
3. To confirm that the position has been saved correctly, the left LED will turn blue for 2 seconds.

Irrespective of the shutter position, once this has been stopped by pressing the STOP pushbutton, it will be possible to move it to the preset position.

**NOTE:** the correct operation of the PRESET function with shutters with adjustment of the blades is only guaranteed when a pulse motor is used.

#### LED adjustment



1. Press the configuration pushbutton for at least 5 seconds. All the LEDs will turn blue after 3 seconds, and then white again after 5 seconds;
2. Press and hold down the pushbutton, LED operation will change every 2 seconds as shown in the drawing;
3. Once the desired status has been reached, release the pushbutton.

## Actuator / control for rolling shutter

### Wiring diagrams

Wiring diagram for shutter connection

