

Descrizione

Lift control interface with 8 relay to integrate the IP DES with the building elevator system in order to control the lift.

Operates with 2 modes:

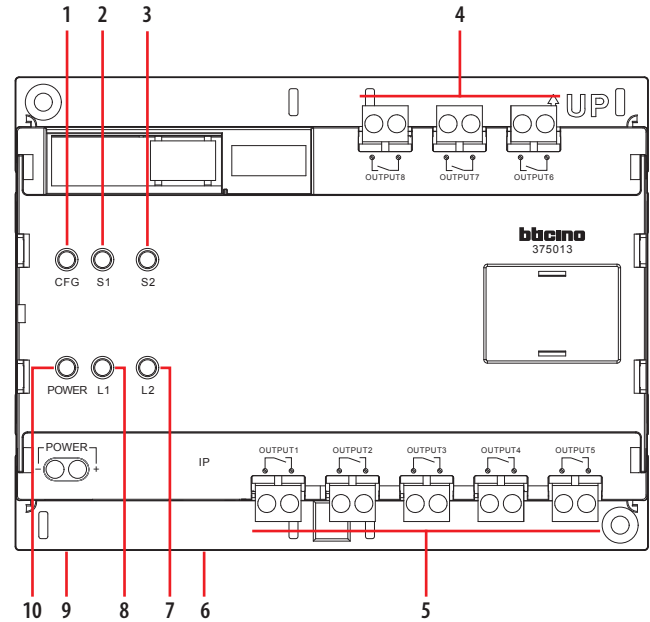
- With acces control integration: when resident release the lock give the consensus to visitor to reach the called floor.

- Direct call to ground floor: when resident release the lock automatically call the lift to ground floor.

The configuration is made directly in IP DES configuration tool included in Server DES 375001.

NOTE: INSTALLATION AND CONNECTIONS MUST BE ALWAYS PERFORMED ACCORDINGLY TO THE ELEVATOR MANUFACTURER SPECIFICATION.

Front view



Technical data

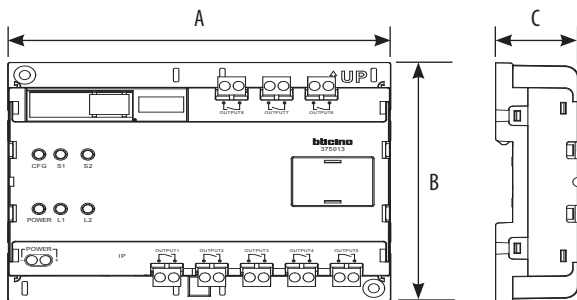
Voltage:	24 Vdc
Maximum consumption:	60 mA
Contact output - OUTPUT 1 – 8:	24 Vdc 3A
Maximum cable section for clamps:	0,5 mm ²
Operating temperature:	(- 10) – (+ 55) °C
IP protection index:	IP20
Maximum relative humidity:	90 %

Legend

1. LED CFG: Configuration LED
Flashing 3sec ON/3sec OFF = device not configured
Flashing 1sec ON/1sec OFF = device being configured or updated
ON steady: device configured
Flashing 0.2sec ON/0.2 sec OFF = device identification from software in progress
 2. S1 pushbutton:
- Reset to the factory settings (pressed for 10")
- Retry function (short pressure)
 3. S2 pushbutton: pushbutton for the identification of the device on the DES Software.
During the SW configuration process, once pressed it is identified in the SW itself
 4. Relay OUTPUT 6 – 8
 5. Relay OUTPUT 1 – 5
 6. RJ45 connector
 7. LED L2: NOT USED
 8. LED L1:
On = at least 1 relay switched to closed
Off = no relay switched to closed
 9. Auxiliary power supply input connector (24Vdc)
- LED POWER:
On = powered
Off = not powered

This device does not support standard POE power supplies, but only POE power supplies identified with 375002.

Dimensional data



A	B	C
141 mm	105 mm	33 mm

Configuration

For device configuration and installation and for any other information, refer to the documentation that can be downloaded from the website:



www.homesystems-legrandgroup.com

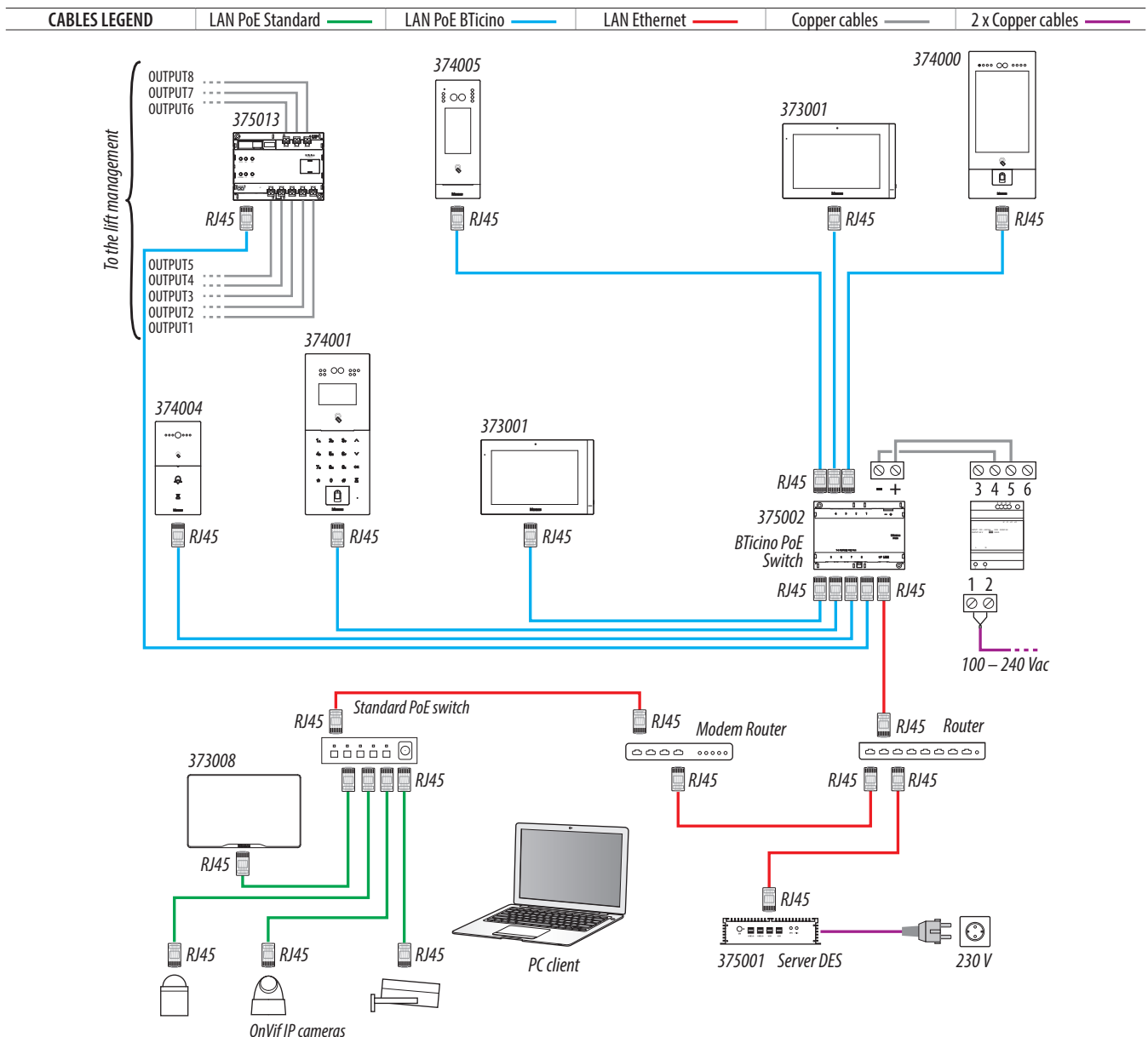
Wiring diagrams

It is possible to use two different types of connection according to installation situation:

A - Diagram with power supply by BTicino PoE Switch

B - Diagram with local power supply

A - Diagram with power supply by BTicino PoE Switch



Attention:

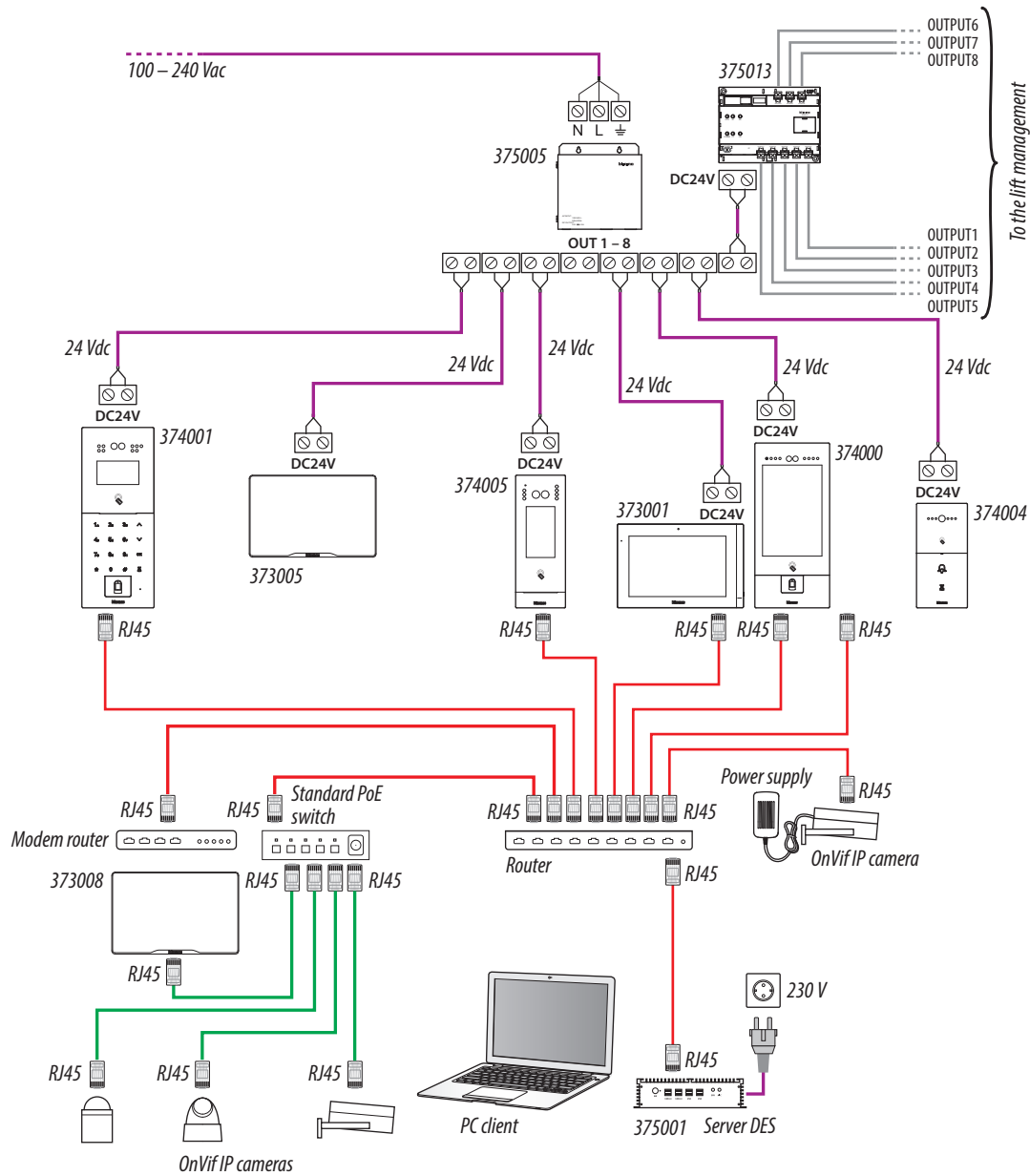
- Connect the devices only to the PoE 375002 switches. No other PoE switches are permitted.
- Only item 373008 can be connected to an IEEE 802.3at standard PoE switch (POE+)
- Item 375001 must be connected to the LAN network, not to PoE switches
- Connect the UP LINK port of the 375002 to a suitable network port, never to a PoE port.
- Use a cat5/5e/6 FTP or cat5/5e/6 UTP cable. If using a UTP cable, use the supplied ferrite.
- Safety must be guaranteed by an access control system or by the lift itself.

Note:

- To connect the devices it is possible to use both types of wiring (diagram A or diagram B) or even mixed ones.
- Maximum length of every LAN permanent link line = 90 m.

B - Diagram with local power supply

CABLES LEGEND	LAN PoE Standard	LAN PoE BTicino	LAN Ethernet	Copper cables	2 x Copper cables



Attention:

- Connect the devices only to the PoE 375002 switches. No other PoE switches are permitted.
- Only item 373008 can be connected to an IEEE 802.3at standard PoE switch (POE+)
- Item 375001 must be connected to the LAN network, not to PoE switches
- Connect the UP LINK port of the 375002 to a suitable network port, never to a PoE port.
- Use a cat5/5e/6 FTP or cat5/5e/6 UTP cable. If using a UTP cable, use the supplied ferrite.
- Safety must be guaranteed by an access control system or by the lift itself.

Note:

- To connect the devices it is possible to use both types of wiring (diagram A or diagram B) or even mixed ones.
- Maximum length of every LAN permanent link line = 90 m.

Attention: Check the following Attention notes and Installation notes for all wiring diagrams shown below.

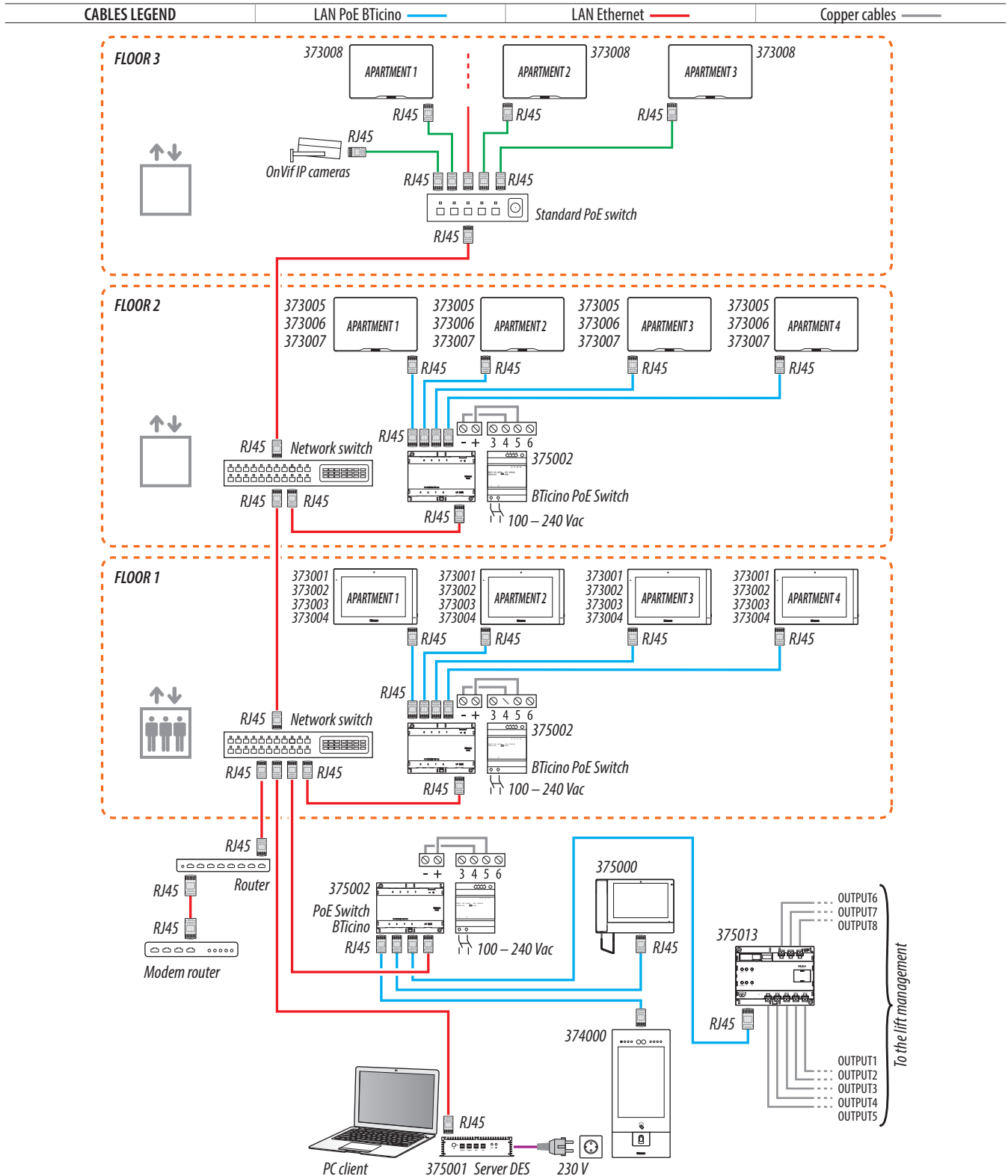
Attention:

- Connect the devices only to the PoE 375002 switches. No other PoE switches are permitted.
- Only item 373008 can be connected to an IEEE 802.3at standard PoE switch (POE+)
- Item 375001 must be connected to the LAN network, not to PoE switches
- Connect the UP LINK port of the 375002 to a suitable network port, never to a PoE port.
- Use a cat5/5e/6 FTP or cat5/5e/6 UTP cable. If using a UTP cable, use the supplied ferrite.
- Safety must be guaranteed by an access control system or by the lift itself.

Note:

- To connect the devices it is possible to use both types of wiring (diagram A or diagram B) or even mixed ones.
- Maximum length of every LAN permanent link line = 90 m.

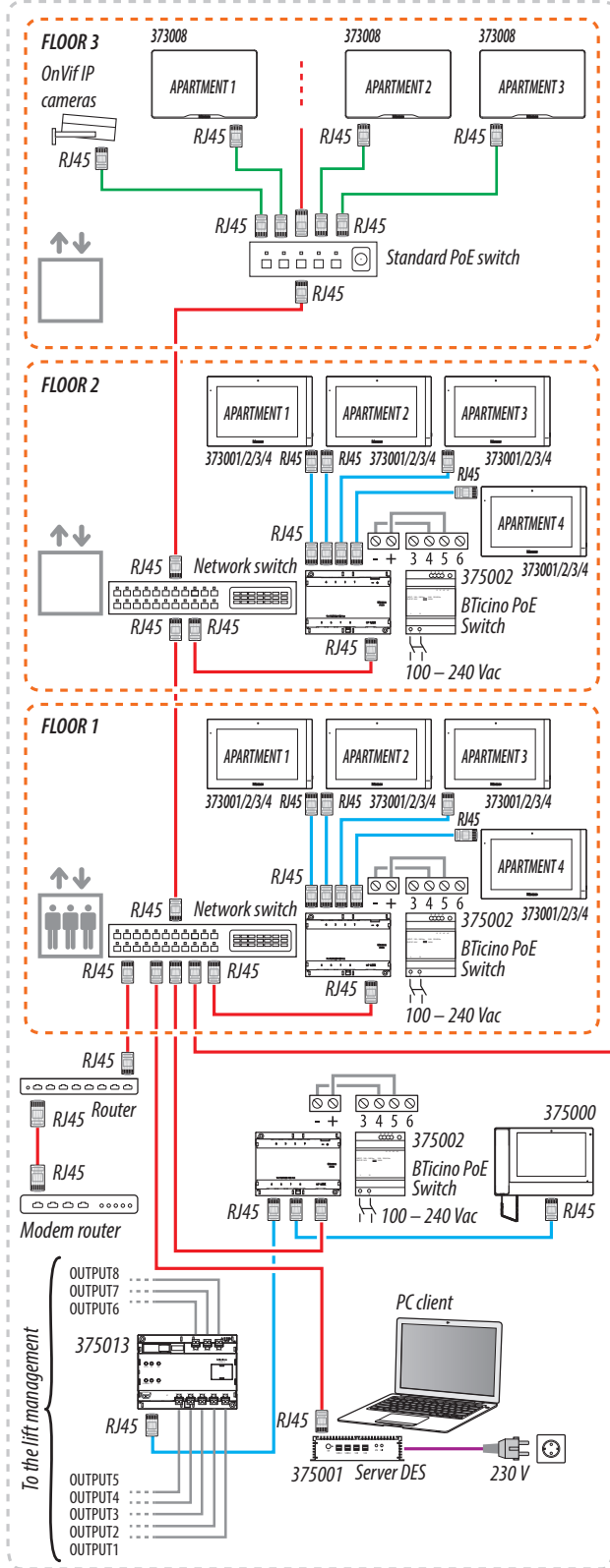
Lift control 1 - Lift control with lift control interface with relay 375013, 1 riser, 1 entrance panel



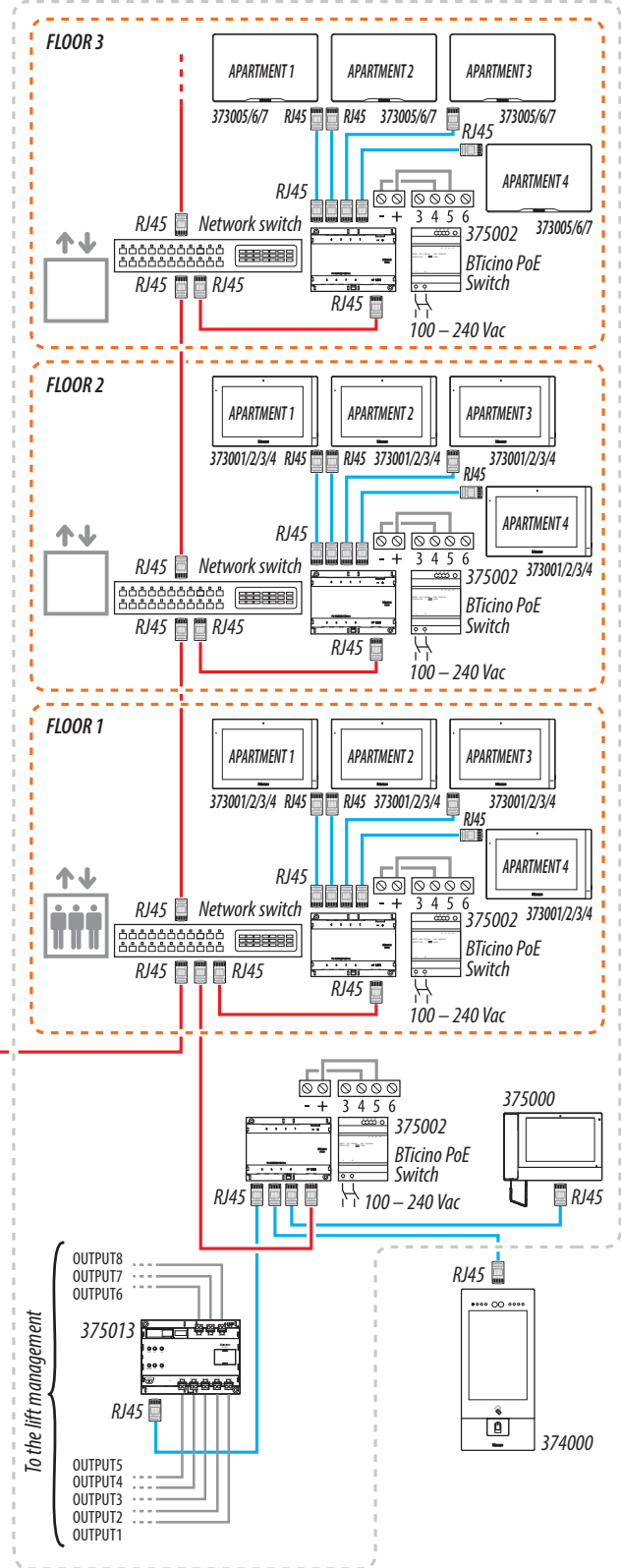
Lift control 2 - Lift control with lift control interface with relay 375013, more risers, 1 entrance panel

CABLES LEGEND	LAN PoE BTicino	LAN Ethernet	Copper cables
---------------	-----------------	--------------	---------------

RISER 1



RISER 2



Lift control 3 - Lift control with lift control interface with relay 375013, 1 riser, more entrance panels

CABLES LEGEND	LAN PoE BTicino	LAN Ethernet	Copper cables
---------------	-----------------	--------------	---------------

