

IP DES - 7" touch display standard indoor unit

373008

Description

7" touch display indoor unit, black colour.

From the touch display, it is possible to answer the call, open the lock, call the other apartments and the guard station, view call and alarm logs, leave audio messages, receive messages from the guard station, adjust the settings (e.g. brightness and ring tone), and view date/time information.

Alarm management can be easily integrated thanks to 8 pre-arranged dedicated contacts. The integration with the CCTV IP cameras allows to view the IP cameras of the apartment and the common area from the indoor unit. The specific integration also allows control of the lift. It is possible to associate the video indoor unit to the Home + Security App (available for Android and iOS). The App allows to use functions such as: receiving calls, door lock release, display of the event timeline and activation of the entrance panel. With the Home + Security App, it is also possible to manage the products of the Netatmo Security range (outdoor and indoor cameras, door and window sensors, indoor siren, smoke detector). This allows you to quickly and easily create a Smart security system.

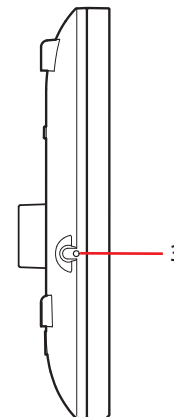
The indoor unit is 48V PoE (power over Ethernet) powered.

Wall mounted using the supplied bracket.

Front view



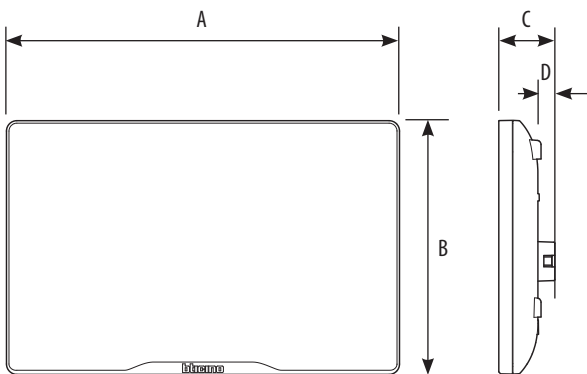
Side view



Technical data

| | |
|--------------------------------|---------------------|
| PoE supply voltage: | 44 – 57 Vdc |
| Maximum consumption: | 0,16 A |
| Max. cable section for clamps: | 0.8 mm ² |
| Operating temperature: | (- 10) – (+ 40)°C |
| IP degree of protection: | IP30 |
| Maximum relative humidity: | 90 % |
| Display resolution: | 1024 x 600 dpi |

Dimensional data

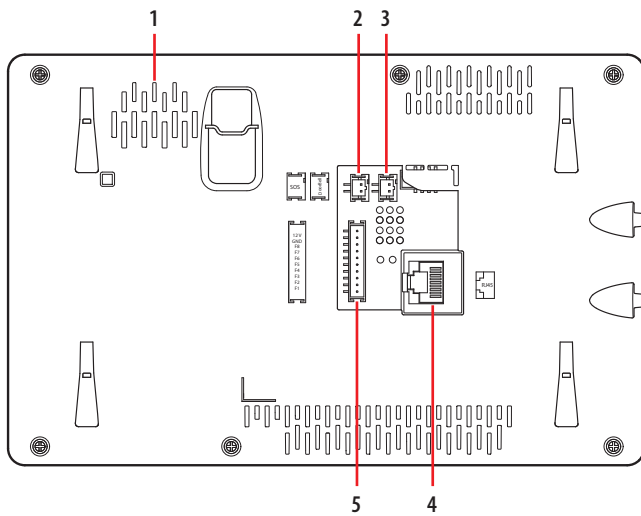


| A | B | C | D |
|--------|--------|-------|------|
| 189 mm | 122 mm | 27 mm | 8 mm |

Legend

1. Display 7" (touch screen)
2. Home Page
3. Microphone

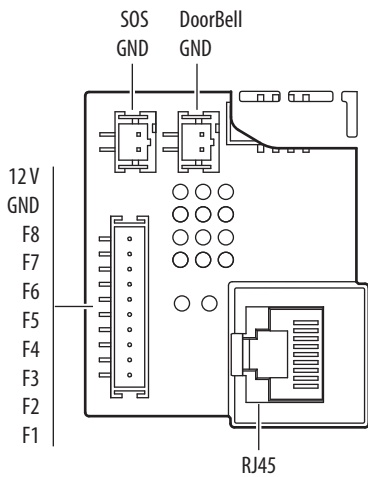
Rear view



Legend

- 1. Loudspeaker
- 2. Clamp for additional SOS call
- 3. Clamp for doorbell call
- 4. RJ45/100 Base T - IEEE 802.3at (POE+) Connector (*)
- 5. Alarm connection clamp (see table)

(*) This device supports only standard POE power supplies, IEEE 802.3at (POE+). Connect the cat5/5e/6 FTP or cat5/5e/6 UTP cable with ferrite supplied to the connector.



Alarm connection clamp

| | |
|------------|--|
| F1 – GND | Infrared |
| F2 – GND | Magnetic contact |
| F3 – GND | Smoke sensor |
| F4 – GND | Gas sensor |
| F5 – GND | Water sensor |
| F6 – GND | Magnetic contact |
| F7 – GND | |
| F8 – GND | SOS |
| +12V – GND | 12 Vdc, maximum 150 mA sensor power supply |

All contacts must be connected to GND and the corresponding dedicated input. The functions and wiring mode of the inputs are set by default as shown in the table and diagram, they can be customized using the software and/or straight from the device. Doorbell input isn't customizable and SOS-GND is disable by default.

Configuration

To use the device, it is necessary to configure it and create the Community structure using the IP DES SYSTEM software, following the steps below:

- Step 01 Community VLAN network creation
- Step 02 Community structure definition
- Step 03 Community structure creation
- Step 04 Device MAC address registration
- Step 05 Community customisation
- Step 06 Saving of passwords
- Step 07 Registration of the Community on the installer's Cloud
- Step 08 Forwarding of the address book to the DES Server
- Step 09 Installation of the devices
- Step 10 Activation of the devices
- Step 11 System test
- Step 12 Update of the device

For further information, please refer to the IP DES SYSTEM software manual and to the Indoor Unit manual, available for download from the www.homesystems-legrandgroup.com site.

Wiring diagrams

Attention: Check the following Attention notes and Installation notes for all wiring diagrams shown below.

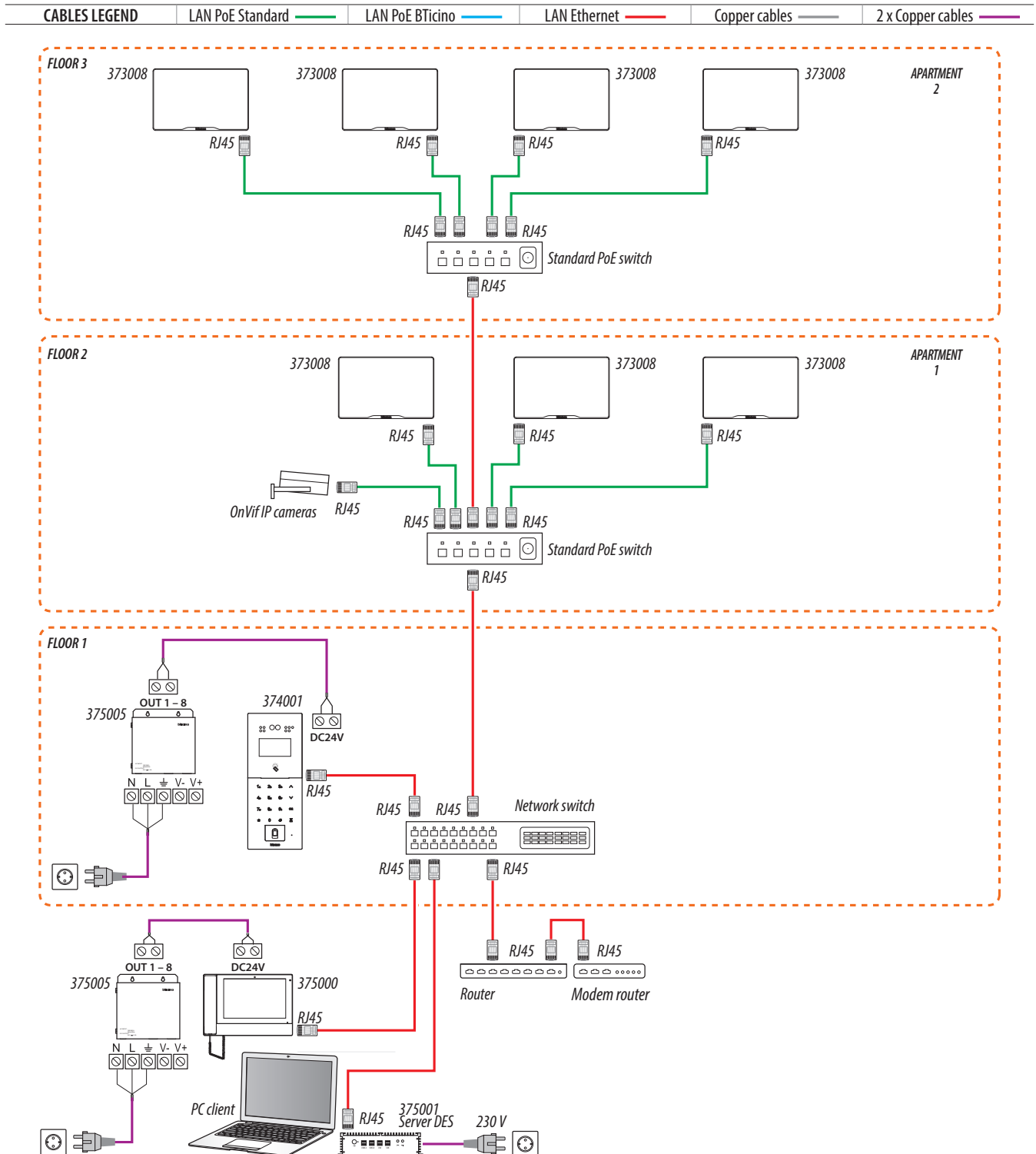
Attention:

- Connect the devices only to the PoE 375002 switches. No other PoE switches are permitted.
- Only item 373008 can be connected to an IEEE 802.3at standard PoE switch (POE+)
- Item 375001 must be connected to the LAN network, not to PoE switches
- Connect the UP LINK port of the 375002 to a suitable network port, never to a PoE port.
- Use a cat5/5e/6 FTP or cat5/5e/6 UTP cable. If using a UTP cable, use the supplied ferrite.

Note:

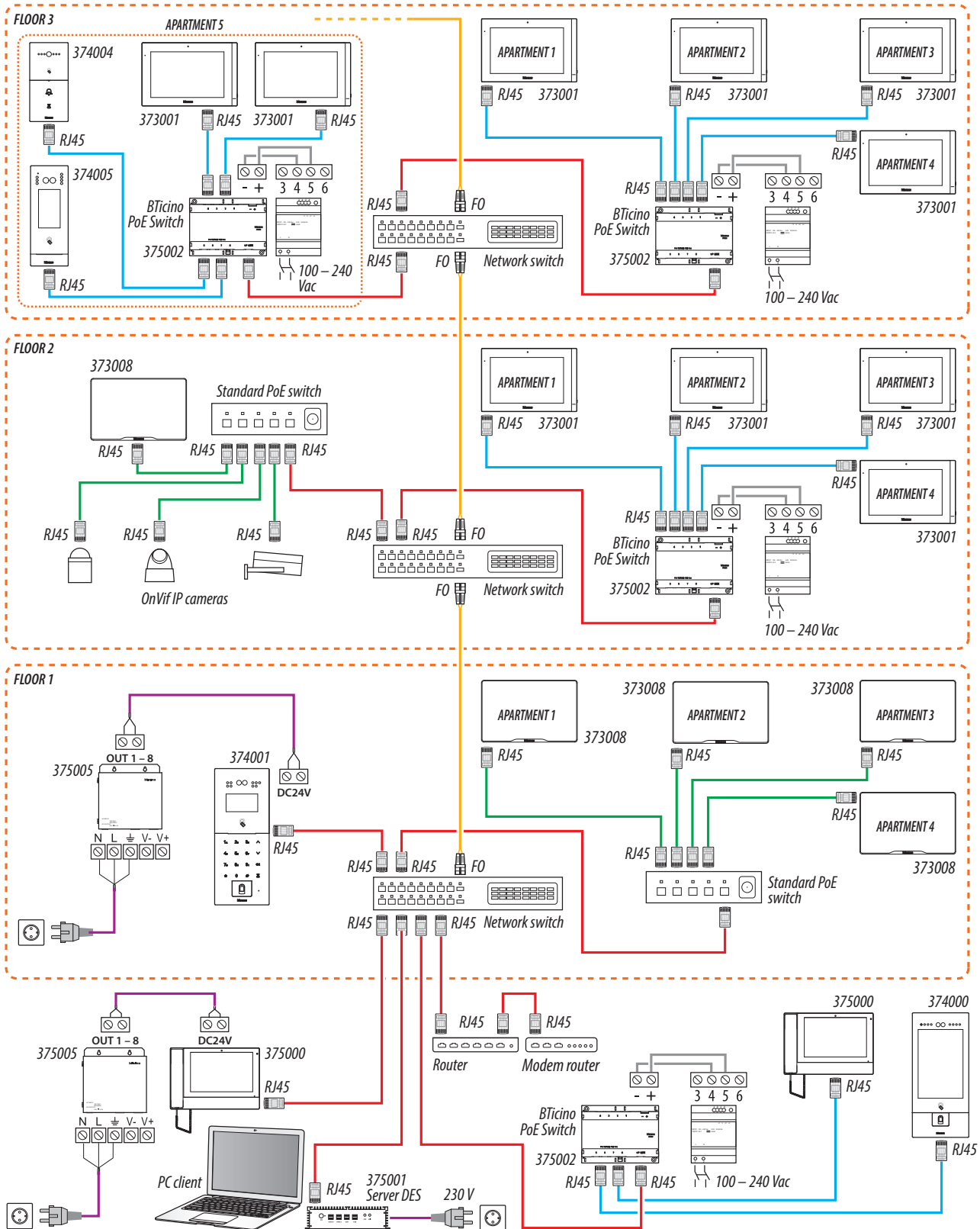
- Maximum length of every LAN permanent link line = 90 m.

Ethernet connection to the Standard PoE switch



Fiber optic riser connection (case of higher bandwidth demand)

| CABLES LEGEND | LAN PoE Standard | LAN PoE BTicino | LAN Ethernet | Optical fiber | Copper cables | 2 x Copper cables |
|---------------|------------------|-----------------|--------------|---------------|---------------|-------------------|
| | | | | | | |

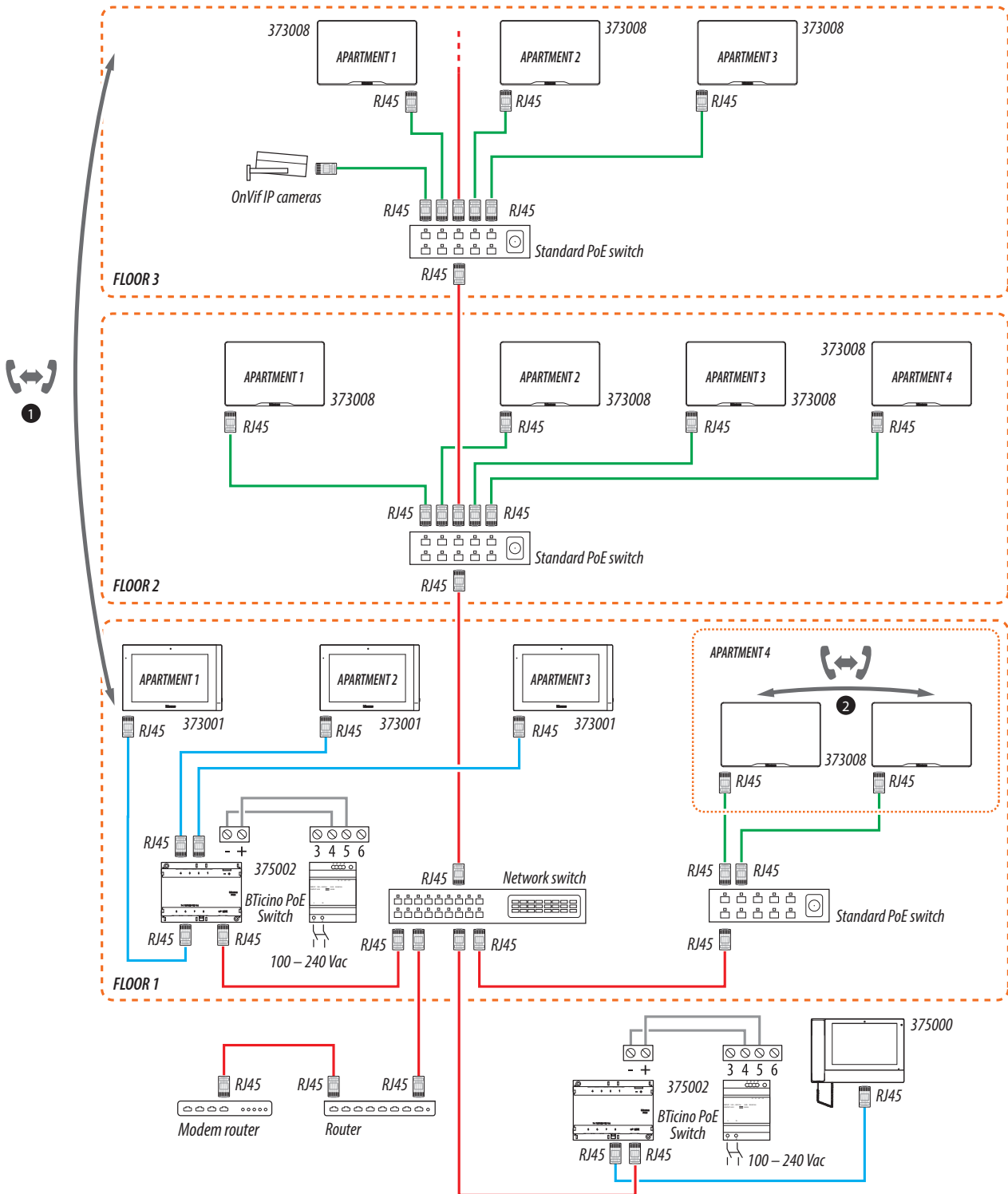


Intercom function

Audio intercom between internal unit:

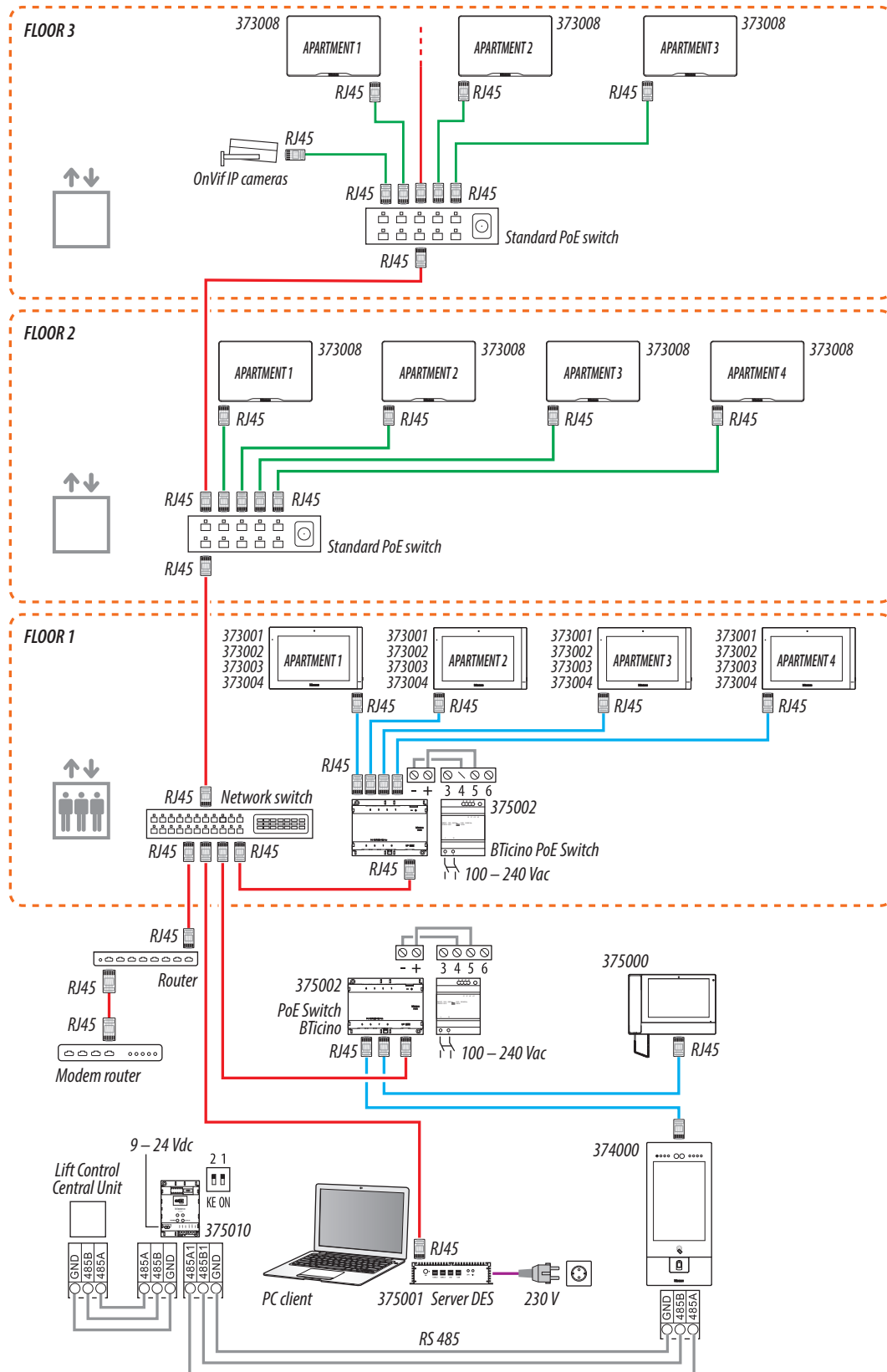
- ① - Of different apartments (same building or different building)
- ② - Inside the same apartment.

| CABLES LEGEND | LAN PoE Standard | LAN PoE BTicino | LAN Ethernet | Copper cables |
|---------------|------------------|-----------------|--------------|---------------|
| | | | | |



Lift control 1 - Lift control with protocol interface 375010, 1 riser, 1 entrance panel

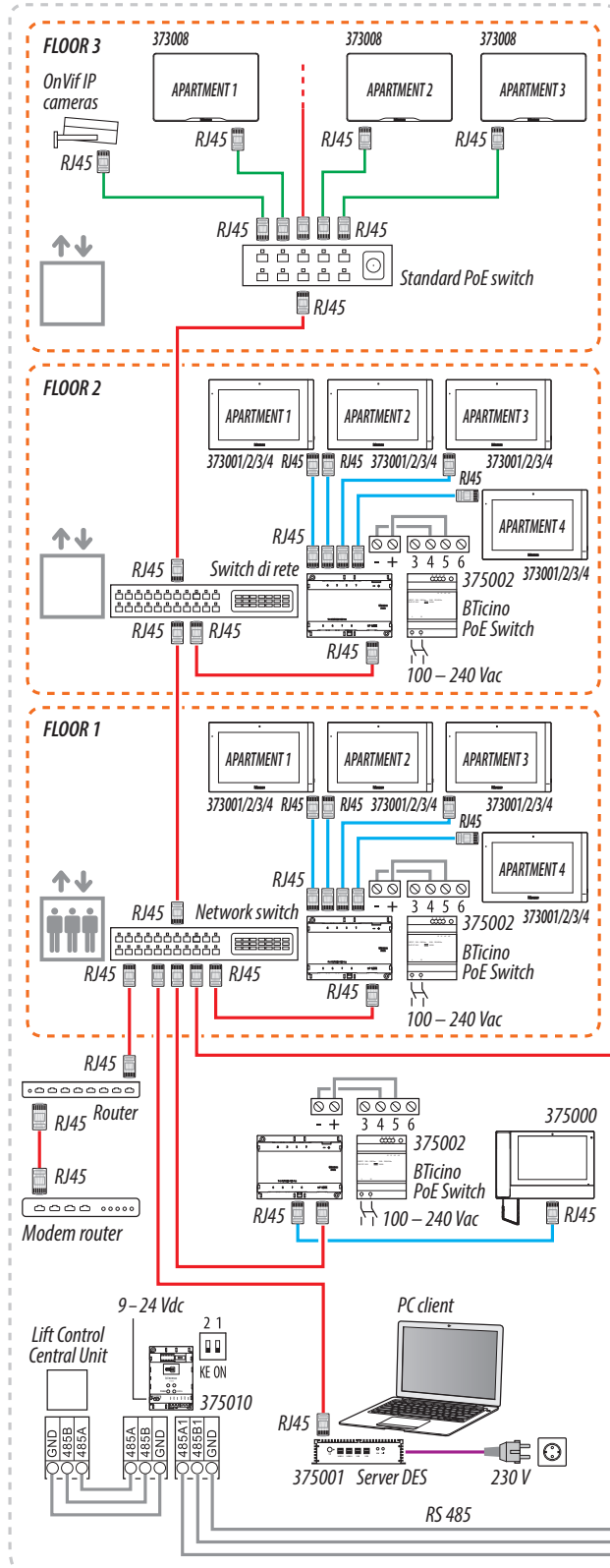
| CABLES LEGEND | LAN PoE Standard | LAN PoE BTicino | LAN Ethernet | Copper cables |
|---------------|------------------|-----------------|--------------|---------------|
| | | | | |



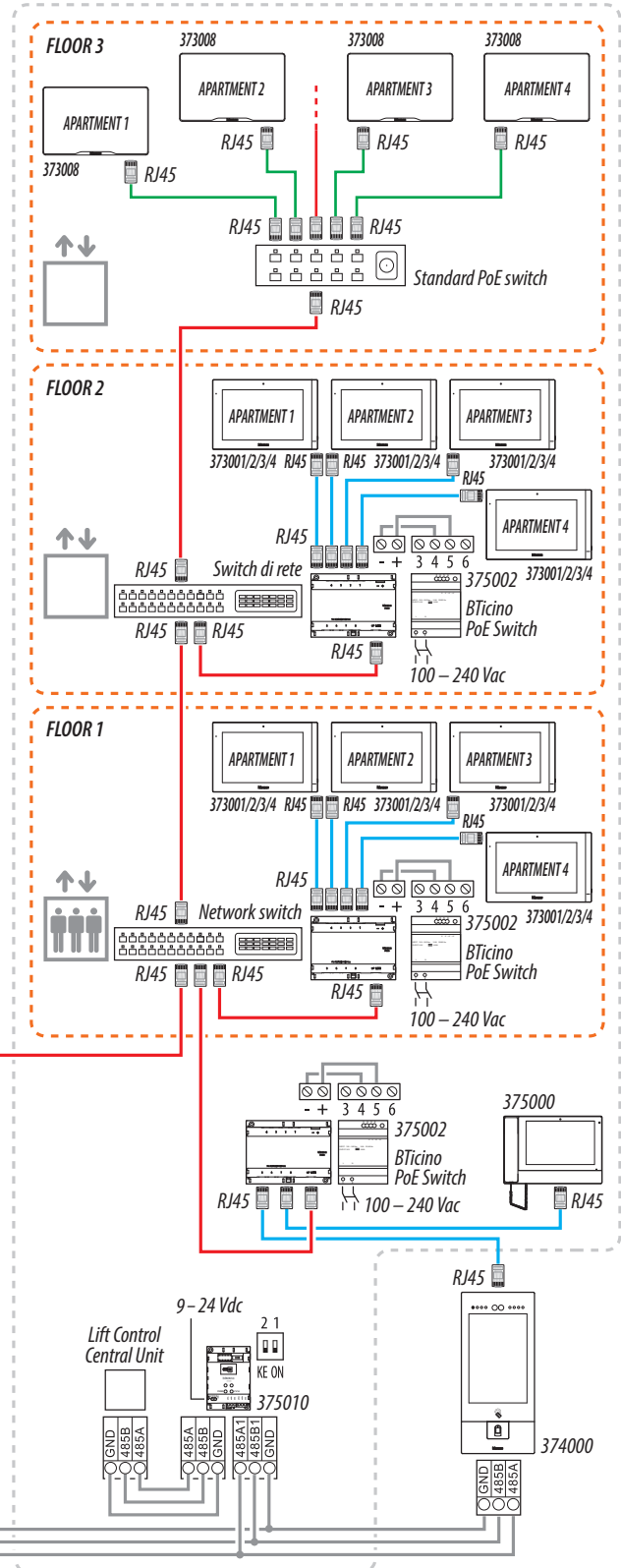
Lift control 2 - Lift control with protocol interface 375010, more risers, 1 entrance panel

| CABLES LEGEND | LAN PoE Standard | LAN PoE BTicino | LAN Ethernet | Copper cables |
|---------------|------------------|-----------------|--------------|---------------|
| | | | | |

RISER 1

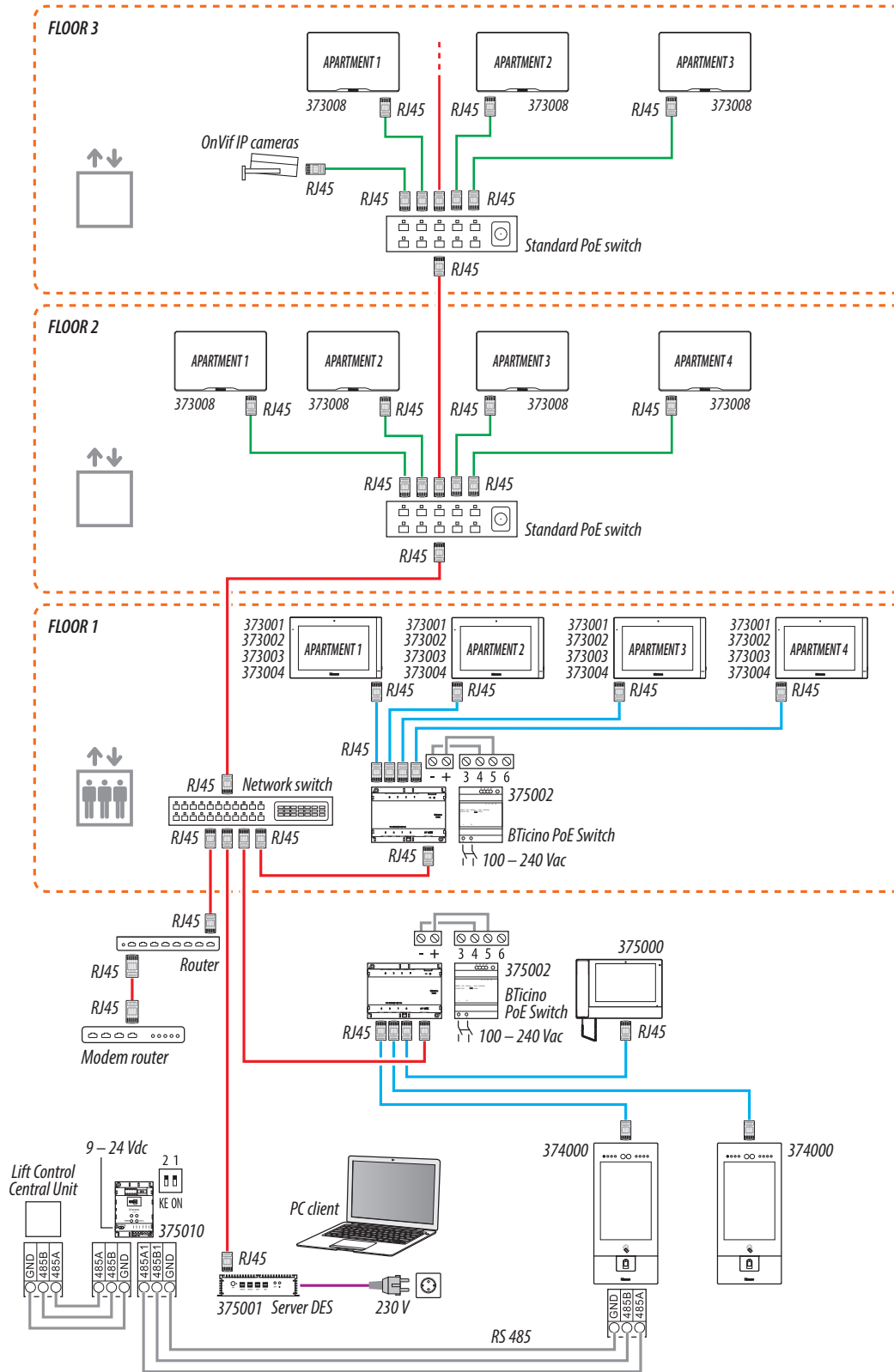


RISER 2



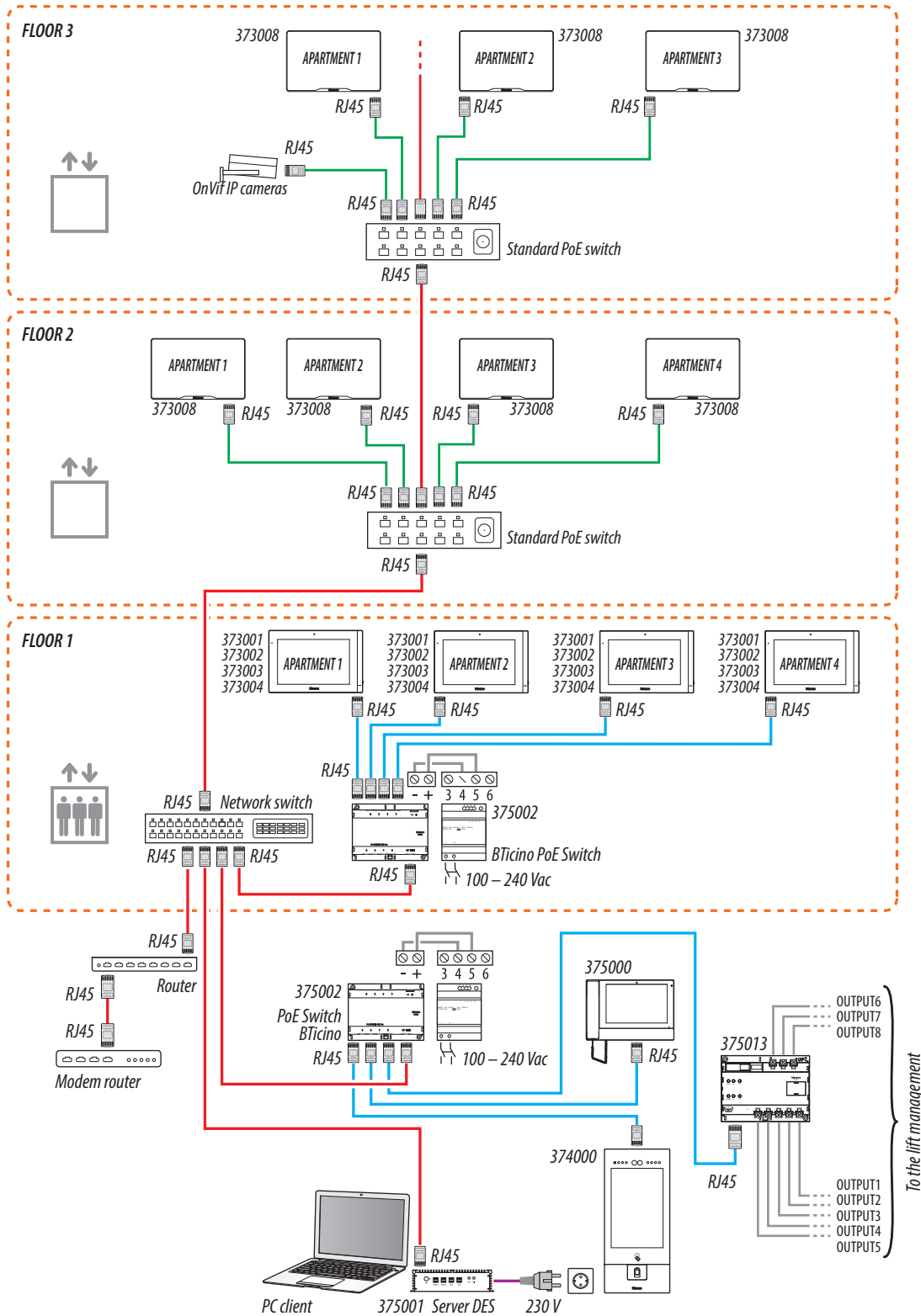
Lift control 3 - Lift control with protocol interface 375010, 1 riser, more entrance panels

| CABLES LEGEND | LAN PoE Standard | LAN PoE BTicino | LAN Ethernet | Copper cables |
|---------------|------------------|-----------------|--------------|---------------|
| | | | | |



Lift control 4 - Lift control with lift control interface with relay 375013, 1 riser, 1 entrance panel

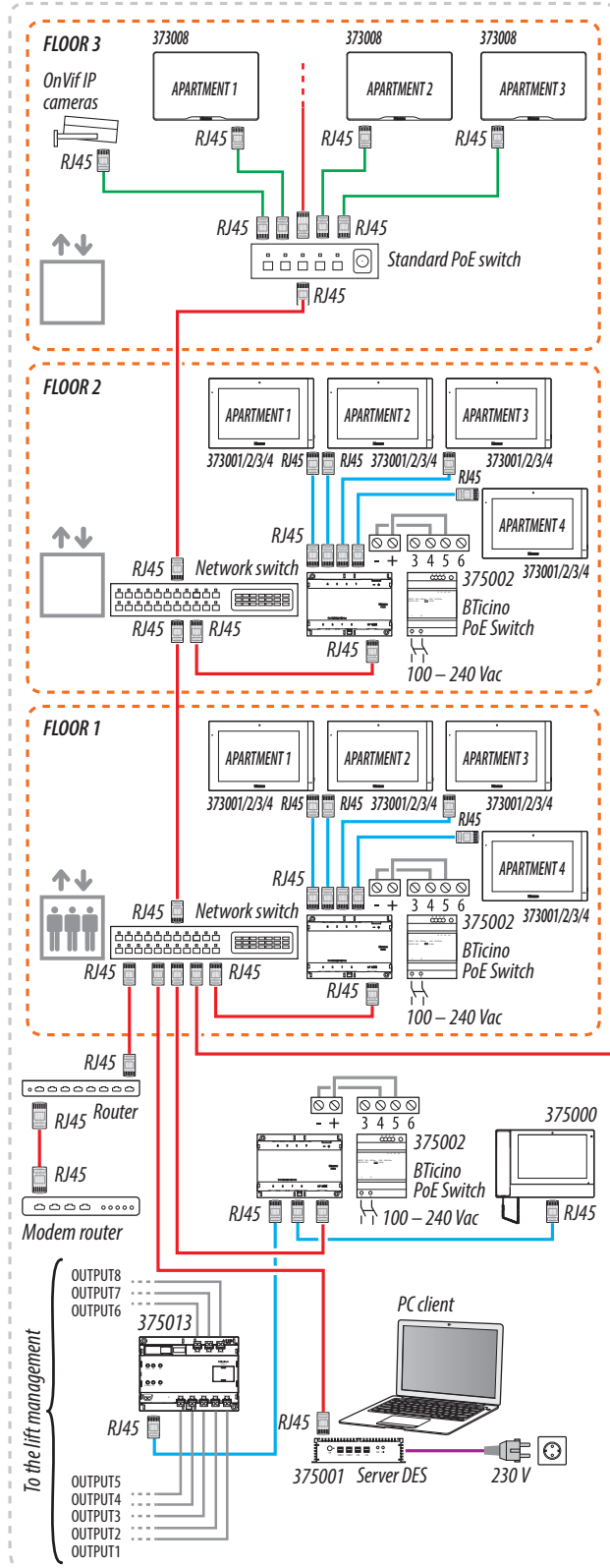
| | | | |
|---------------|---|---|---|
| CABLES LEGEND | LAN PoE BTicino — | LAN Ethernet — | Copper cables — |
|---------------|---|---|---|



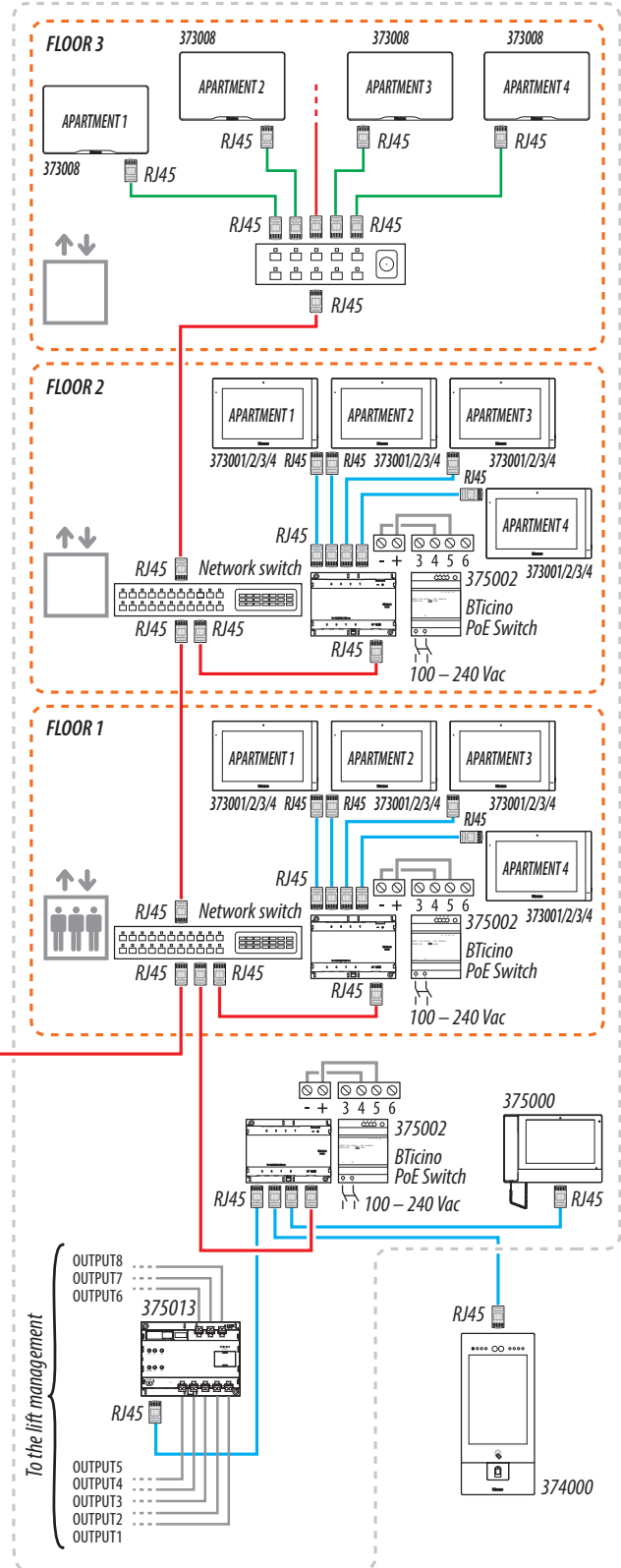
Lift control 5 - Lift control with lift control interface with relay 375013, more risers, 1 entrance panel

| CABLES LEGEND | LAN PoE BTicino | LAN Ethernet | Copper cables |
|---------------|-----------------|--------------|---------------|
| | | | |

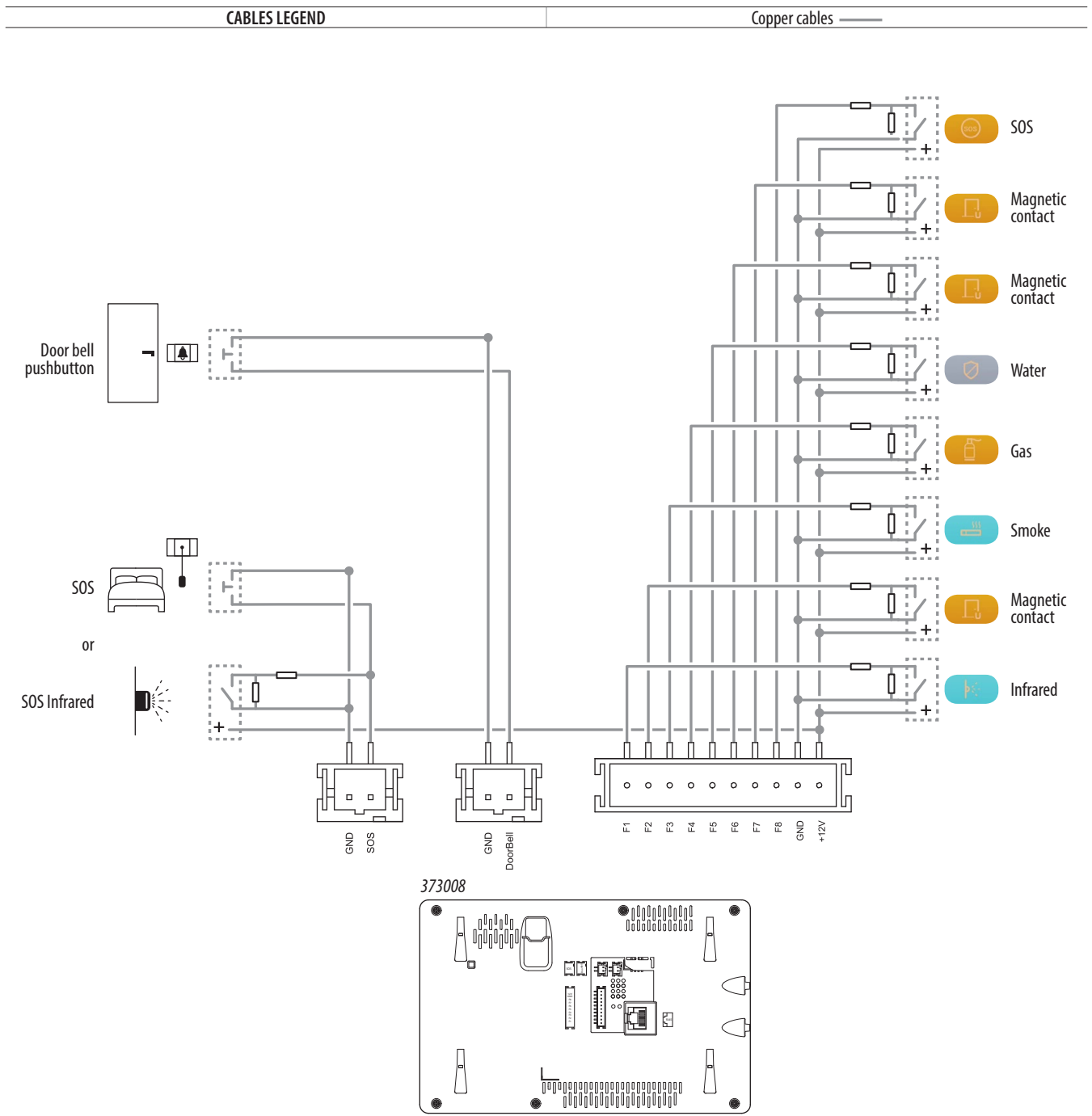
RISER 1



RISER 2



Available functions



Note: The alarm functions are the default ones. It is possible to modify them in the appropriate section.

Note: Use the supplied resistors (560 Ohm $\pm 5\%$, 1/4 W).

Main functions

From the Home Page of the device, it is possible to access the main functions, as described below:



Call

In the Calls section it is possible to:

- Display the call log with details
- Make calls to other residents or the guard station
- Save the favourite contacts
- Block calls from specific IUs.

Message

In Message section is possible to:

- Display messages with text sent from facility manager (community and emergency messages)
- Check answering machine audio message with snapshot left by visitor
- Check answering machine audio messages left by other resident of the apartment on the indoor unit (family message)
- Access history.

Auto-switching on Function

The Auto-switching on function allows the management of the direct automatic switching on of the entrance panel and the display of the CCTV cameras of the common areas and the individual apartment.

Alarm Function

The Alarms function allows the management of the alarms from sensors connected to terminals F1 to F8, such as infrared sensor, gas sensor, SOS sensor, leak sensor, and so on.

Lift control

From shortcut it is possible to call the lift from the indoor unit.

This function requires the lift control integration made with 375010 protocol transaltor interface.