

Connected switch 125 W LED without neutral with dimmer option

**RA4413CM2
RG4413CM2
RW4413CM2**

Description

Switch without neutral, 125 W LED, with dimmer option, wired, 2 modules. For local or remote ON/OFF or dimming control of lighting.

Can be controlled by one or several wireless light switches and/or mechanical push-buttons. Dimmer mode and locator and indicator functions can be activated from the Home + Control App.

Compatible with all loads: - Dimmable LEDs and CFL lamps: 125 W LED - Incandescent and halogen lamps: 125 W - ELV halogen and CFL lamps with separate ballast: 125 VA Supplied with a bleeder Memory level function 2 modules.

Technical data

Voltage: 110-240 V~
Power: 125 W
Frequency: 50/60 Hz
Standby consumption: 0.3 W

Loads	Filament lamp or halogen lamp	DIMMER LED lamp (*), Dimmer electronic transformers
240 VAC	5 – 125 W	5 – 125 VA
110 VAC	5 - 75 W	5 - 75 VA *

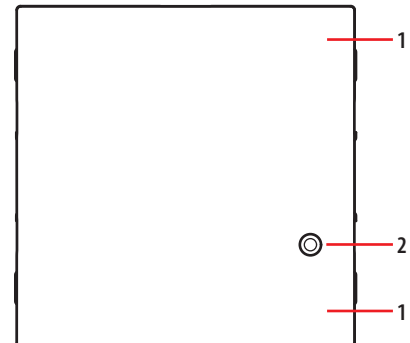
(*) Or max 10 lamps. For good lighting comfort, we recommend the use of lamps of the same type and from the same supplier. Compatibility with all lamps in ON/OFF mode.

Zigbee technology: 2.4 GHz to 2.4835 GHz
Power level: < 100 mW
Range: 200 m of unobstructed space
10 m between products indoors
Terminal type: with screws
Terminal capacity: 2 x 1.5 mm² or 1 x 2.5 mm²
Stripping length: 8 mm
Flat screwdriver: 3 mm
Usage temperature: 5 – 35 °C
Storage temperature: 0 – 45 °C
Protection against impacts: IK 04
Protection against solid bodies/liquids: IP20
Mechanism casing: PC
Grid: 6.6 PA + Galfan steel
Halogen-free
UV-resistant
Self-extinguishing: 850°C/30 s for insulating parts holding live parts in place.
650°C/30 s for the other insulating components.

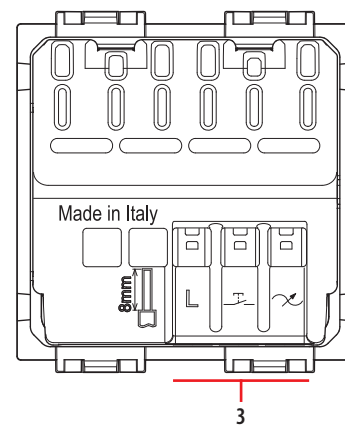
Standards, certifications, marks

Compliant with installation and manufacturing standards.
Compliant with directive 2014/53/EU.

Front view



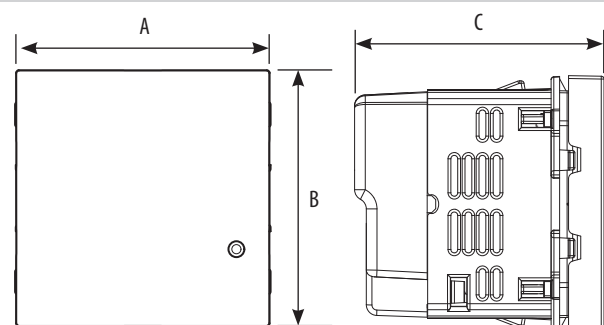
Rear view



Legend

- 1. Control pushbutton
- 2. Notification LED
- 3. Connection clamps
- ⌘ = controlled phase
- ⌚ = pushbutton input
- L = phase

Dimensional data



A	B	C
45 mm	45 mm	44 mm