

Connected switch 125 W LED without neutral with dimmer option

**L4413CM2
N4413CM2
NT4413CM2**

Description

Switch without neutral, 125 W LED, with dimmer option, wired, 2 modules. For local or remote ON/OFF or dimming control of lighting.

Can be controlled by one or several wireless light switches and/or mechanical push-buttons. Dimmer mode and locator and indicator functions can be activated from the Home + Control App.

Compatible with all loads: - Dimmable LEDs and CFL lamps: 125 W LED - Incandescent and halogen lamps: 125 W - ELV halogen and CFL lamps with separate ballast: 125 VA Supplied with a bleeder Memory level function 2 modules.

Technical data

| | |
|----------------------|------------|
| Voltage: | 110-240 V~ |
| Power: | 125 W |
| Frequency: | 50/60 Hz |
| Standby consumption: | 0.3 W |

| Loads | Filament lamp or halogen lamp | DIMMER LED lamp (*), Dimmer electronic transformers |
|---------|-------------------------------|---|
| 240 VAC | 5 – 125 W | 5 – 125 VA |
| 110 VAC | 5 - 75 W | 5 - 75 VA * |

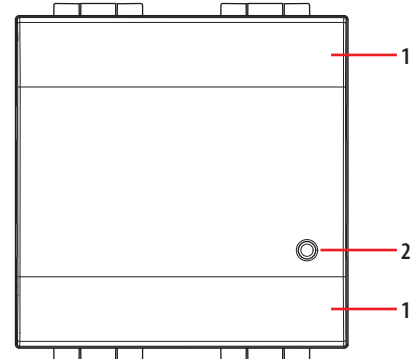
(*) Or max 10 lamps. For good lighting comfort, we recommend the use of lamps of the same type and from the same supplier. Compatibility with all lamps in ON/OFF mode.

| | |
|--|---|
| Zigbee technology: | 2.4 GHz to 2.4835 GHz |
| Power level: | < 100 mW |
| Range: | 200 m of unobstructed space 10 m between products indoors |
| Terminal type: | with screws |
| Terminal capacity: | 2 x 1.5 mm ² or 1 x 2.5 mm ² |
| Stripping length: | 8 mm |
| Flat screwdriver: | 3 mm |
| Usage temperature: | 5 – 35 °C |
| Storage temperature: | 0 – 45 °C |
| Protection against impacts: | IK 04 |
| Protection against solid bodies/liquids: | IP20 |
| Mechanism casing: | PC |
| Grid: | 6.6 PA + Galfan steel |
| Halogen-free | |
| UV-resistant | |
| Self-extinguishing: | 850°C/30 s for insulating parts holding live parts in place. 650°C/30 s for the other insulating components. |

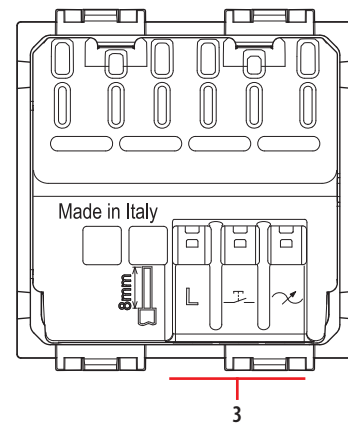
Standards, certifications, marks

Compliant with installation and manufacturing standards.
Compliant with directive 2014/53/EU.

Front view



Rear view



Legend

- 1. Control pushbutton
- 2. Notification LED
- 3. Connection clamps
- ⌘ = controlled phase
- ⌚ = pushbutton input
- ⌚ = phase

Dimensional data

