

Connected switch 125 W LED without neutral with dimmer option

K4413CM2

Description

Switch without neutral, 125 W LED, with dimmer option, wired, 2 modules. For local or remote ON/OFF or dimming control of lighting.

Can be controlled by one or several wireless light switches and/or mechanical push-buttons. Dimmer mode and locator and indicator functions can be activated from the Home + Control App.

Compatible with all loads: - Dimmable LEDs and CFL lamps: 125 W LED - Incandescent and halogen lamps: 125 W - ELV halogen and CFL lamps with separate ballast: 125 VA Supplied with a bleeder Memory level function 2 modules.

Related items

KW33M2 Lightable cover for connected Dimmer/Switch - 2 modules - White

KG33M2 Lightable cover for connected Dimmer/Switch - 2 modules - Black

KM33M2 Lightable cover for connected Dimmer/Switch - 2 modules - Sand

Technical data

Voltage:	110-240 V~
Power:	125 W
Frequency:	50/60 Hz
Standby consumption:	0.3 W

Loads	Filament lamp or halogen lamp	DIMMER LED lamp (*), Dimmer electronic transformers
240 VAC	5 – 125 W	5 – 125 VA
110 VAC	5 - 75 W	5 - 75 VA *

(*) Or max 10 lamps. For good lighting comfort, we recommend the use of lamps of the same type and from the same supplier. Compatibility with all lamps in ON/OFF mode.

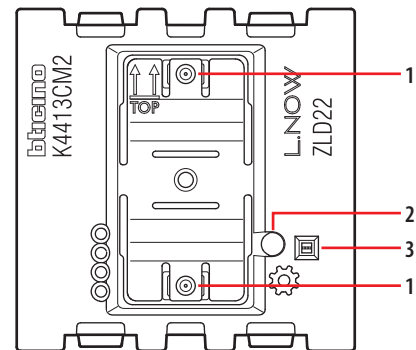
Zigbee technology:	2.4 GHz to 2.4835 GHz
Power level:	< 100 mW
Range:	200 m of unobstructed space 10 m between products indoors
Terminal type:	with screws
Terminal capacity:	2 x 1.5 mm ² or 1 x 2.5 mm ²
Stripping length:	8 mm
Flat screwdriver:	3 mm
Usage temperature:	5 – 35 °C
Storage temperature:	0 – 45 °C
Protection against impacts:	IK 04
Protection against solid bodies/liquids:	IP20
Mechanism casing:	PC
Grid:	6.6 PA + Galfan steel
Halogen-free	
UV-resistant	
Self-extinguishing:	850°C/30 s for insulating parts holding live parts in place. 650°C/30 s for the other insulating components.

Standards, certifications, marks

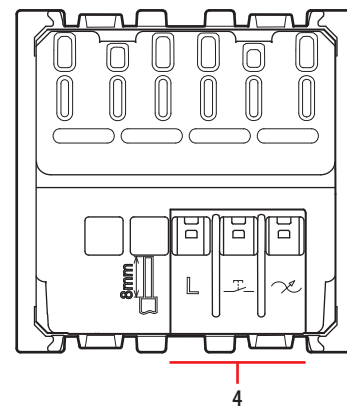
Compliant with installation and manufacturing standards.

Compliant with directive 2014/53/EU.

Front view



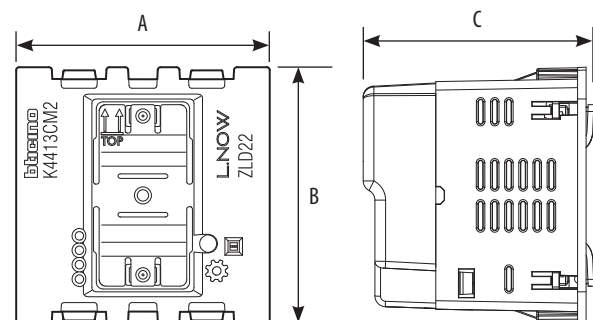
Rear view



Legend

1. Control pushbutton
2. Reset push button
3. Notification LED
4. Connection clamps

Dimensional data



A	B	C
44.7 mm	45 mm	40 mm