

LINEA 300 digital call pushbutton panel

308040

Description

LINEA 300, vandal-resistant 2 WIRE digital call video pushbutton panel (in stainless steel), flush mounted or wall mounted installation (with specific box item 308026 sold separately). The item includes: flush mounted vandal-resistant steel box, audio and video module with wide angle colour camera, integrated graphic display, and alphanumeric keypad for direct apartment call, fast address book search, and door lock release using a code. Presetting for the installation of a T25 Vigik reader, or a key switch. Backlit display and BLUE keys. It is possible to store up to 4000 residents names.

Visual, sound, or control speech synthesis communication status notification, for example: call active, system busy, door lock status... Direct control of an electric door lock 18 V-4A impulsive, 250 mA holding current (30 ohm max).

System power supply cuts do NOT cause the loss of memory data. The device can be configured physically or using a PC with the specific software, which can be downloaded free of charge from www.homesystems-legrandgroup.com.

Only for the French market: the device can also be integrated in Vigik access control systems. In this case it is possible to program and manage the following data using devices for the management of the access control system: names in the address book, direct call codes and door lock release codes.

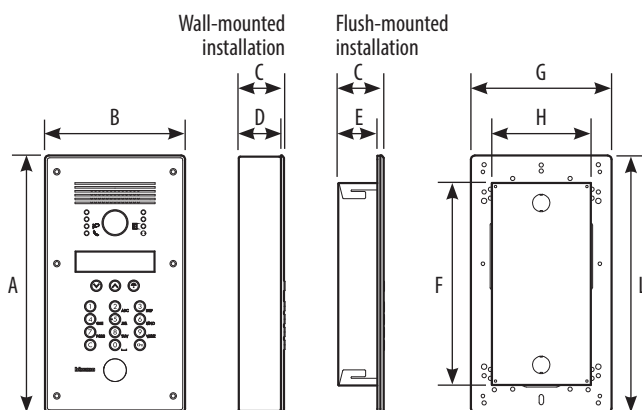
Related items

- 308026 Wall mounted installation box
- 348034 Replacement plastic cover for camera and display

Technical data

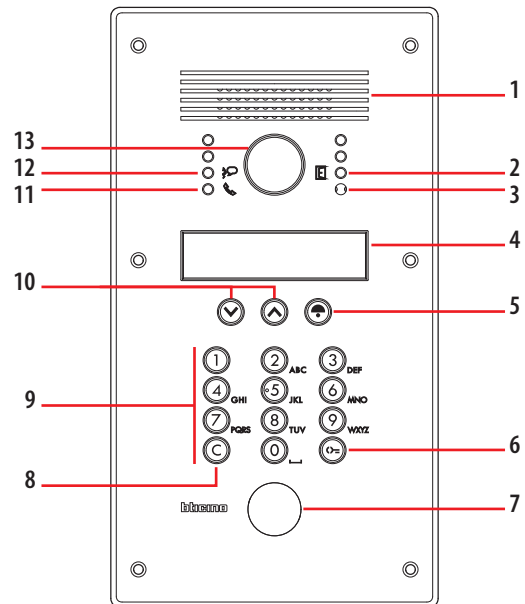
Power supply from SCS BUS:	18 – 27 Vdc
Stand by absorption:	105 mA
Max. operating absorption:	340 mA
Camera sensor:	1/4"
Camera lens:	F:2,0 ; f:1,0 mm
Resolution:	400 horizontal lines (at the image centre)
Brightness adjustment:	automatic
Night lighting:	with white LEDs
Camera field of view:	124° horizontal 100° vertical
Operating temperature:	(- 25) – (+ 70) °C
Protection index:	IP54
Protection index against mechanical impact:	IK07

Dati dimensionali



A	B	C	D	E	F	G	H	L
330 mm	180 mm	58 mm	54 mm	50 mm	262 mm	179 mm	130 mm	329 mm

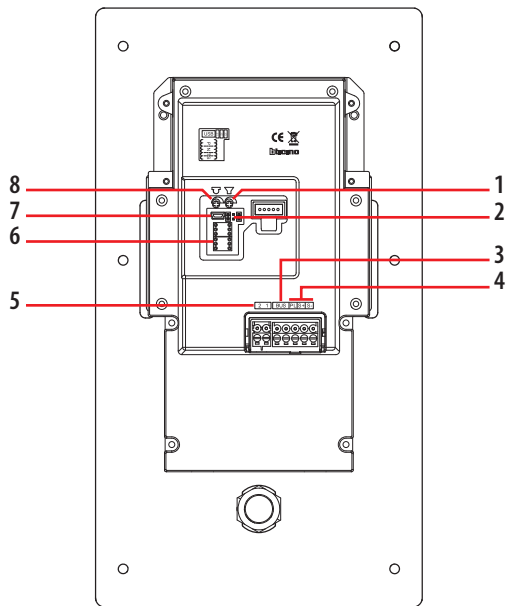
Front view



Legenda

1. Loudspeaker
2. Door status notification LED: green LED = door open
3. Microphone
4. LCD graphic display
5. Key for forwarding the call to the selected resident, or to the switchboard.
6. Door lock release key
7. Presetting for the installation of a T25 Vigik reader, or a key switch
8. Cancel key
9. Alphanumeric keypad
10. UP -DOWN address book scroll keys
11. Call status notification LED: green LED = call
red LED = system busy
12. Communication status notification LED: green LED = communication active
13. Wide angle colour camera

Rear view

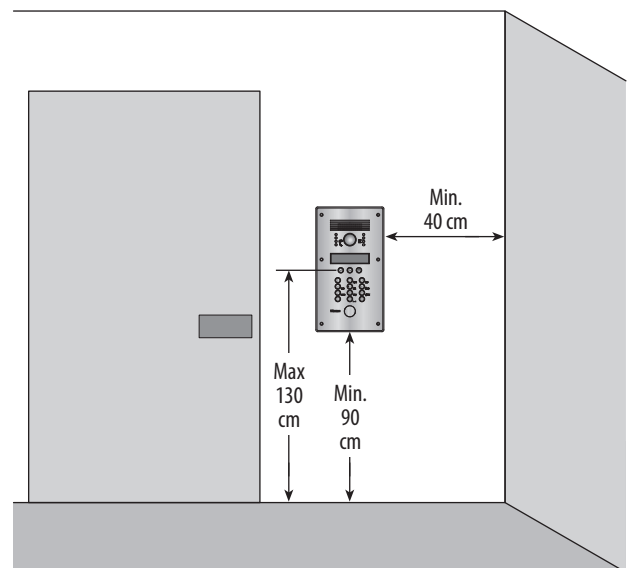
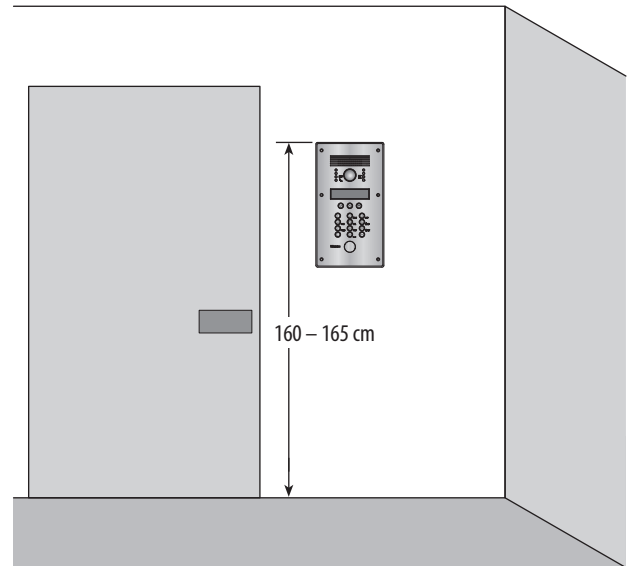


Legenda

1. Loudspeaker volume adjustment
2. JUMPERS (J1) - (J2) - (J3):
 J1 connected (default) = speech synthesis enabled and tone notification disabled
 J2 connected = speech synthesis disabled; tone notification enabled
 J3 connected (default) = additional power supply disabled.
 Remove to enable additional power supply
3. 2 WIRE SCS/BUS connection clamps
4. Clamps for the connection of the door lock and the local door opening pushbutton
5. Additional power supply connection clamps
6. Configurator socket
7. Mini-USB connector for the connection to the PC : advanced configuration and device Firmware update
8. Microphone volume adjustment

Installation mode

The camera must NOT be installed facing strong light sources, or in locations where the area being shot is strongly backlit. In order to resolve these problems, we recommend to vary the installation height of the camera. In low light situations, the colour rendition of the image displayed by the colour camera may decrease. This is to ensure that the person being displayed can be better recognised. To ensure optimum vision in low lit rooms, the installation of an additional light source is recommended.



Configuration

The device must be configured. The configuration can be performed in three ways:

Mode 1 - with physical configurator connection

Mode 2 - directly from the keypad + device display, using the specific menu – see installation and user manuals supplied with the product

Mode 3 - with PC and software

Mode 1 requires the physical connection of the configurators to their sockets:

P - entrance panel number

The configurator in sockets P of the device assigns to this a recognition number inside the system. The numbering of the entrance panels must always start from P=0. The entrance panel configured with P=0 must be a common (or main) entrance panel.

N - DO NOT USE

T - door lock time control

Configurator number							
0 = no configurator	1	2	3	4*	5	6	7
4 sec	1 sec	2 sec	3 sec	as pushbutton	6 sec	8 sec	10 sec

*Operation as pushbutton for 10 sec. maximum after which it goes in stand-by. In order to extend this type of operation over 10 seconds, use the actuator, item 346200/346210 configured with MOD=5.

S - type of call signal

The configurator in socket S of the device, determines the call tone of handsets. One can thus differentiate the calls from different entrance panels.

For the CLASSE 100, SWING, PIVOT, POLYX AXOLUTE and LIVINGLIGHT handsets, S associates the EP to the bell programmed in the handset. It is possible to chose between 16 different preset bells.

For the SPRINT - SPRINT L2 handsets, S sets the call ringtone, according to the following table:

Configurator	0	1	2	3
Type of bell	Two-tone	Two-tone	Two-tone	One-tone
	1200 Hz	1200 Hz	1200 Hz	1200 Hz
	600 Hz	0 Hz	2400 Hz	

In one-family systems S=9 to configure the general call

JUMPERS (J1) - (J2) - speech synthesis and tone notification

J1 connected (default)

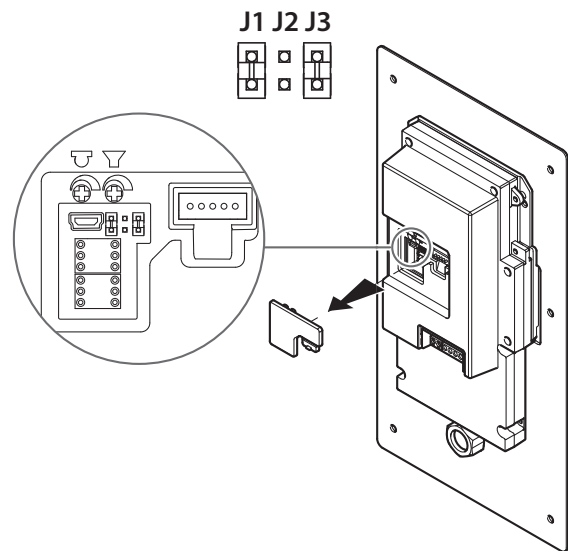
J2 disconnected = speech synthesis enabled; tone notification disabled

J2 connected

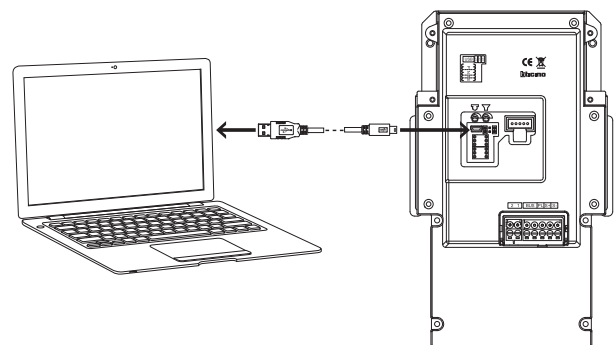
J1 disconnected = speech synthesis disabled; tone notification enabled

JUMPER (J3) - additional EP power supply

If connecting the device to an additional power supply remove jumper J3.

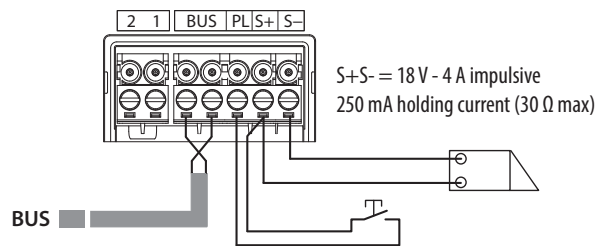


Mode 3 requires advanced configuration of the device, performed using a PC and the specific software, which can be downloaded free of charge from the site: www.homesystemslegrandgroup.com. For the connection to the PC use a USB - mini USB cable. The software gives the possibility of configuring, programming, and updating the firmware.



Wiring diagrams

Door lock control from SCS BUS



Door lock control NOT managed from SCS BUS

