

1. GENERAL CHARACTERISTICS

Wi-Fi access point for homes and small local businesses.

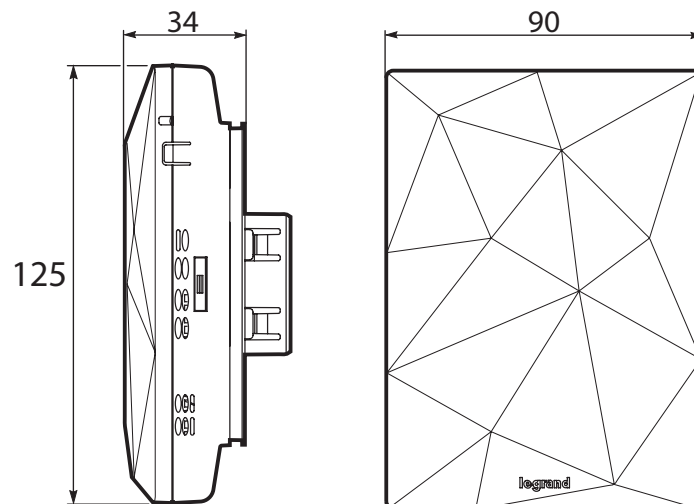
The Wi-Fi access point is easy to install and configure:

- Broadcasts the Wi-Fi signal without signal loss
- Is installed in a 40 mm deep flush-mounting box and wired up like an RJ 45 socket with 4 twisted pair cable
- Powered via Gigabit PoE switch located in the home connection centre
- Easy to configure in a few clicks with a smartphone or laptop from the Legrand Home + Project* app
- Possibility of choosing the Wi-Fi signal strength: only in the room, area of the house, whole house, etc
- ON/OFF button for enabling or disabling the Wi-Fi PoE access point







White (RAL 9003 Polyglass)

* if you don't wish to use the Legrand Home + Project app, you can connect directly to the Wi-Fi access point

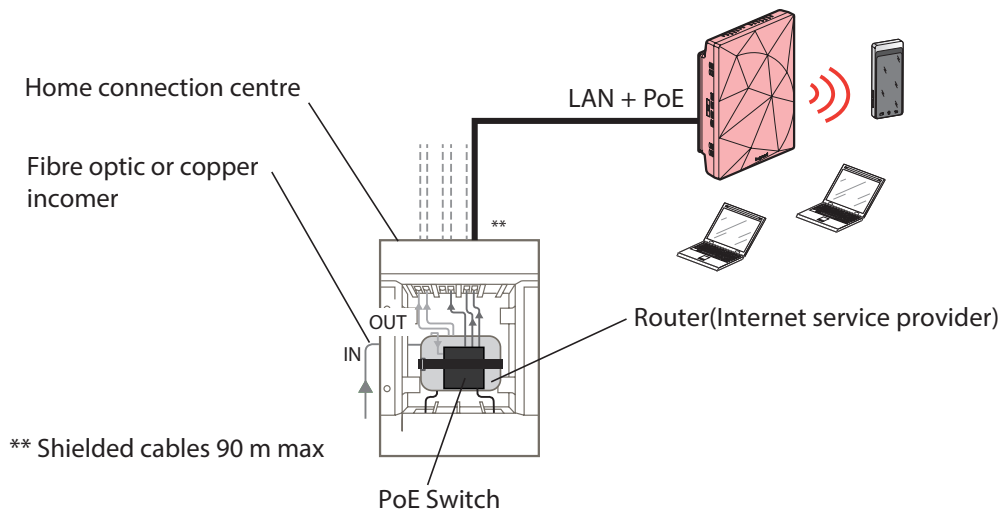
2. DIMENSIONS



3. TECHNICAL CHARACTERISTICS

	Power supply	Power over Ethernet standard 802.3at			
	Consumption	Wifi OFF	(On, no client)	(On, with client, no traffic)	(On, with client and traffic)
		Class 2	Class 2	Class 2	Class 2
		3.8W	3.9W	3.9W	4.2W - 8.3W
	Frequencies bands	2400 MHz to 2480 MHz ISM 5150 to 5350 MHz - 5470 to 5725 MHz ISM			
	Power	20 dBm - 100 mW max			
	Security	802.11i			
	Range	Up to 80 meters in open field* *depending on the installation environment			
	Temperature	+5°C to +40°C			
	Relative humidity	max. 95%			

4. INSTALLATION DIAGRAM

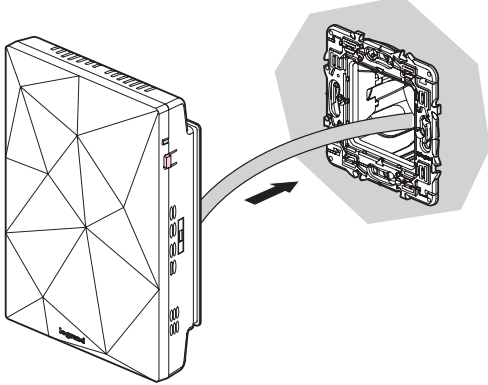


5. INSTALLATION

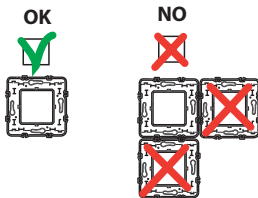
The Wi-Fi access point is installed and wired up like an RJ 45 socket with 4 twisted pair cable.

It is powered via a Power over Ethernet switch located in the home connection centre.

Installation support not included.



Support (not included)	0 802 51	0 802 61	5 760 03	5 760 20
	OK ✓	NO ✗	OK ✓	NO ✗
	OK ✓	OK ✓	OK ✓	OK ✓



6. CONFIGURATION

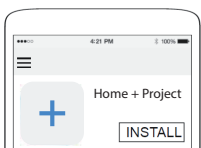
Configuration with the Legrand Home + Project app (see section 6.1) or without installing the app (see section 6.2).

It is not necessary to have an internet connection to configure the PoE Wi-Fi access point.

6.1 HOME + PROJECT app

Once your Wi-Fi access point has been plugged in and powered via PoE, the LED flashes green, then turns blue and remains on with a steady light.

In order to configure your device, download the Legrand Home + Project app from one of the online app stores:



Access Wi-Fi access point configuration via "Settings"/"Other products"
Then let yourself be guided through the configuration steps.

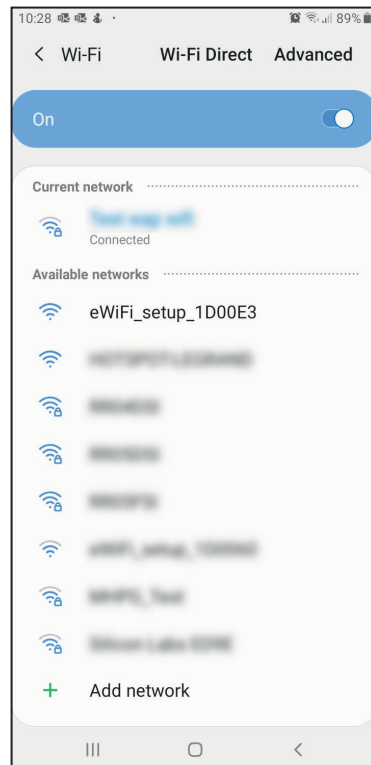
6.2 Easy to install

Once your Wi-Fi access point has been plugged in and powered via PoE, the LED flashes green, then turns blue and remains on with a steady light.

You can now connect directly to it. If your installation has several access points, select the wireless network ending with the last few characters of the MAC address indicated on the device label (in this case eWiFi_setup_1D00E3).

Once connected, a tooltip will invite you to open the browser to configure the access point, accept. If this doesn't happen, open your web browser and type the address of your preferred site, and you will automatically be redirected to your access point's configuration page.

Then let yourself be guided through the configuration steps.



FLASH ME



and access supplements information and configuration

7. STANDARDS AND APPROVALS

- Safety: ETSI EN 62368-1: 2014+A1: 2017
- EMC: ETSI EN 301 489-1 V2.2.3 (2019-11)/Draft ETSI EN 301 489-17 V3.2.3 (2020-07)/EN 55032: 2015/EN 55035: 2017/EN IEC 61000-3-2:209/EN 61000-3-3:2013 + A1: 2019
- Radio: EN IEC 62311:2020
ETSI EN300328 V2.2.2 (2019-07)
EN301893; EN300440; EN302502
- Wi-Fi: IEEE 802.11 a/b/g/n/ac
- Wi-Fi security: IEEE 802.11i (WPA2)
- PoE: IEEE 802.3at
- RoHS
- REACH