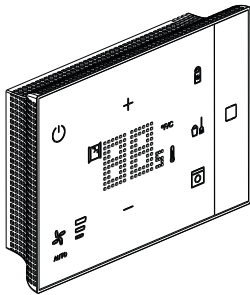


UXone Hotel thermostat

Cat.No(s): **0 489 05/07/2028/30/83**
465006/08/28/30/83



CONTENTS

Page

1. Description	1
2. Technical characteristics	1
3. Standards, certifications and markings ...	1
4. Dimensions	1
5. Connection diagrams	2
6. Installation	4
7. Configured version	
Cat.Nos 0 489 83/465083	4

1. Description

The thermostat is dedicated to hotels and is equally suitable for heating and/or air-conditioning installations. It can be used to display and set the setpoint temperature, fan speed, and switch to thermal overload protection. Scenario controls are also available in configured and standard versions.

It can also be used to manage energy in the room by enabling/disabling the comfort temperature and electrical circuits.

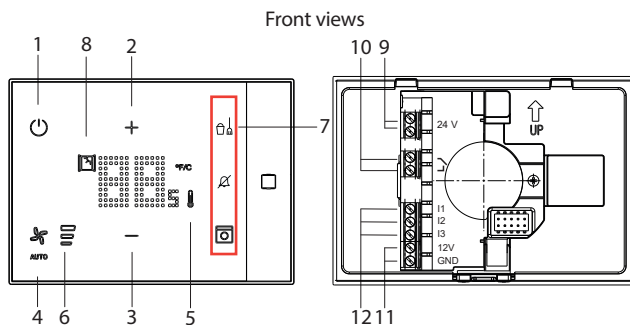
The screen displays the measured ambient temperature or the setpoint temperature.

It has a proximity sensor which can be disabled by configuration: when the device detects an approach, it switches from standby state to active state. The LED brightness level (on standby or active) and the time delay before returning to standby state can also be set by configuration.

The thermostat must be installed on a wall at a height of approximately 150 cm above the floor, unless otherwise specified by the applicable standards.

2. TECHNICAL CHARACTERISTICS

Power supply :	24 VAC/DC
Terminal type :	screw
Capacity of supply terminals :	1.5 mm ²
Capacity of 12V input and output terminals :	0.2-0.5 mm ²
Consumption with screen off:	70 à 27 mA
Consumption with ultra-bright screen:	130 à 58 mA
Operating temperature:	0°C to +40°C
Storage temperature:	-20°C to +70°C
Unit of measurement:	°C or °F
Protection index:	IP 20, IK 04
Plate colour (standard):	Black Cat.Nos 0 489 05/28 465006/28 or White Cat.Nos 0 489 07/30 465008/30
Factory settings:	the device is supplied not configured. The heating and air conditioning values will need to be set.



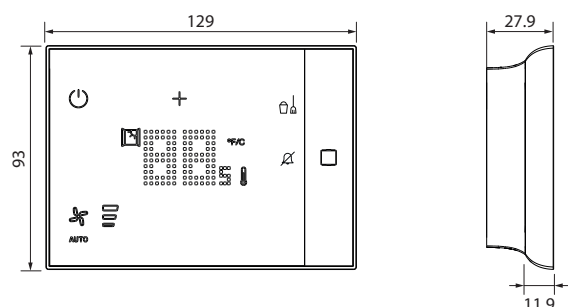
Key

- MODE button: pressing briefly changes from normal mode (ON) to protection mode (frost guard or thermal overload).
- 2. + button: increases the reference value
- 3. - button: decreases the reference value
- 4. FAN button: sets the fan speed (3 levels + automatic)
- 5. Heating enabled indicator (red). Air conditioning enabled indicator (blue)
- 6. Fan speed indicator (3 levels) + automatic
- 7. Scenario buttons (configured and standard versions if available)
- 8. "Window open" detection indicator
- 9. Power supply
- 10. Local contact
- 11. 12 V output
- 12. Switch inputs

3. STANDARDS, CERTIFICATIONS AND MARKINGS

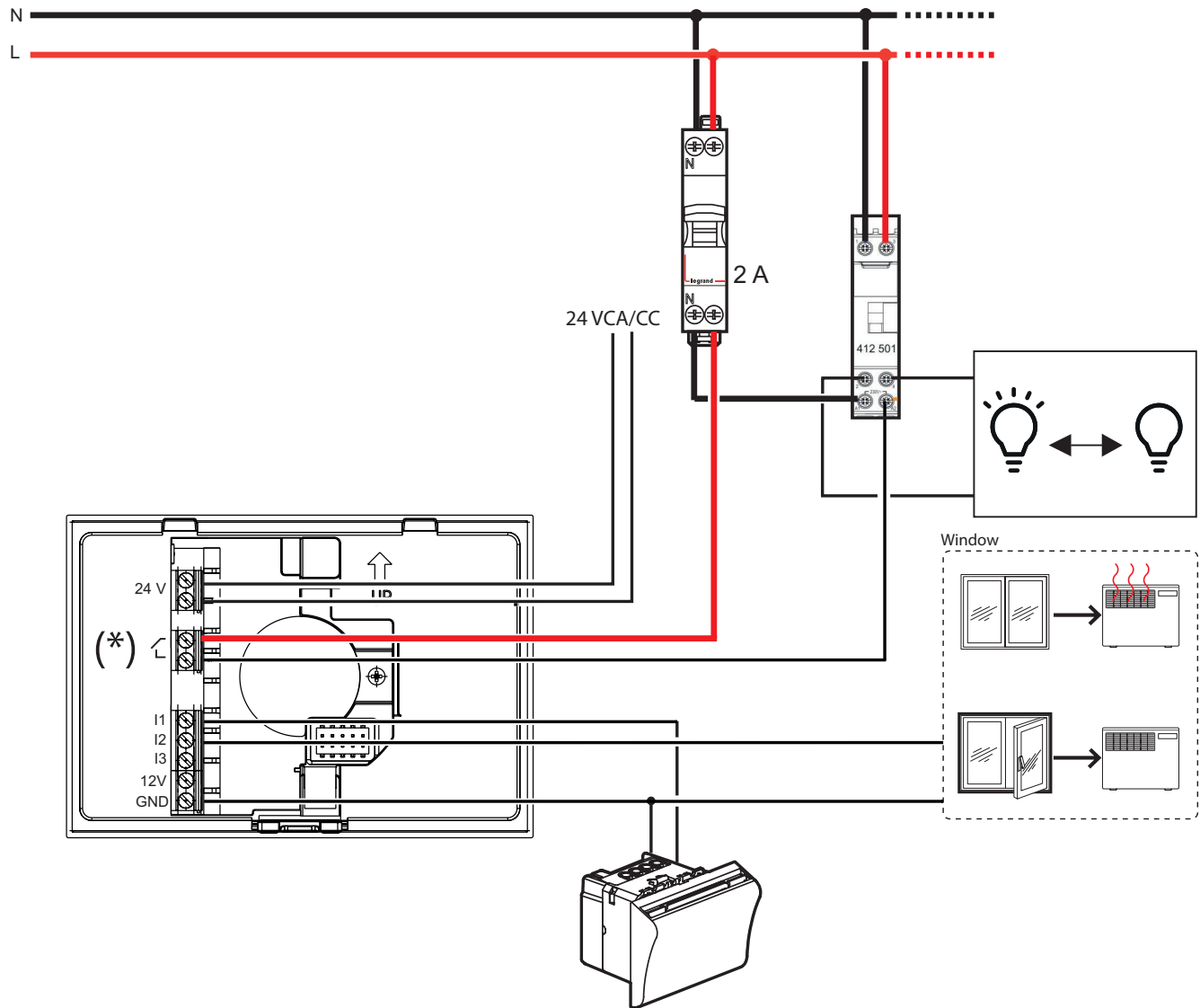
- EN 60669-2-1
- EN 301489-17
- EN 300328
- EN 62311
- CE marked

4. DIMENSIONS



5. CONNECTION DIAGRAMS

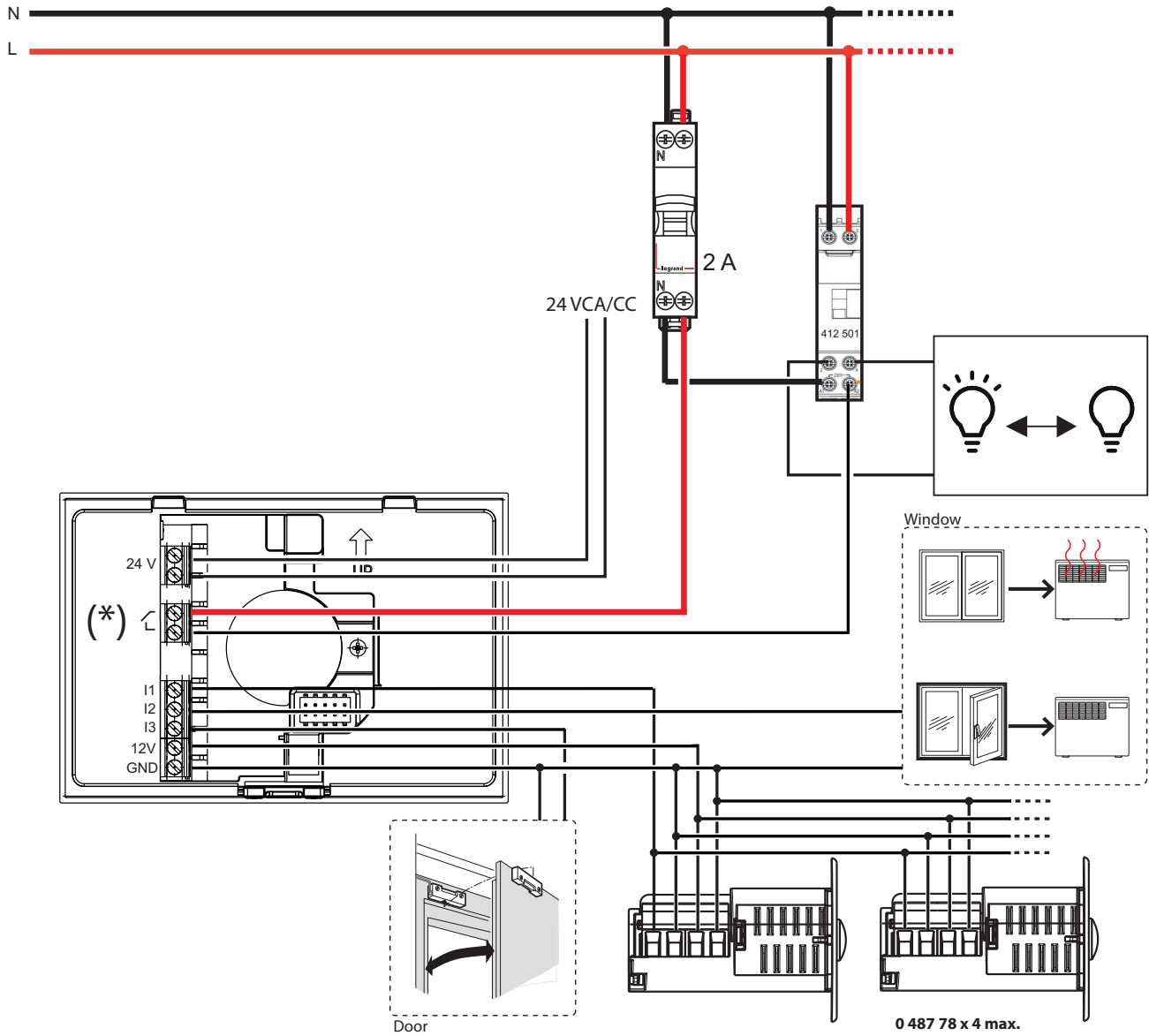
- Managing Eco/Comfort and electrical circuits by keycard insertion/removal



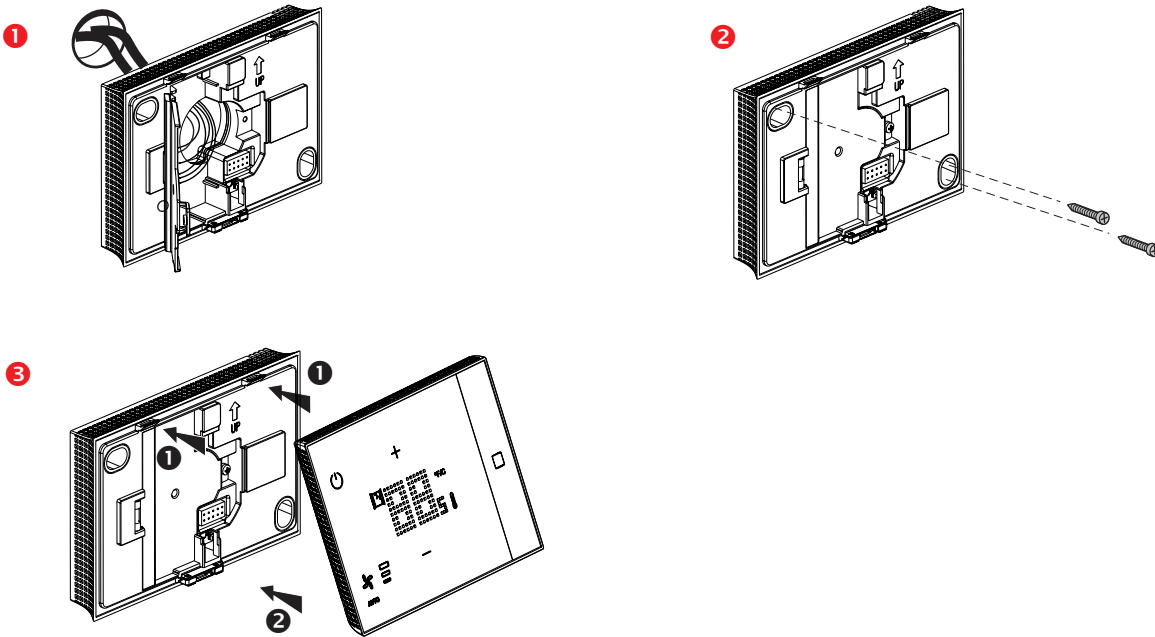
(*) Enable/Disable relay depending on whether keycard is inserted/removed

5. CONNECTION DIAGRAMS (CONTINUED)

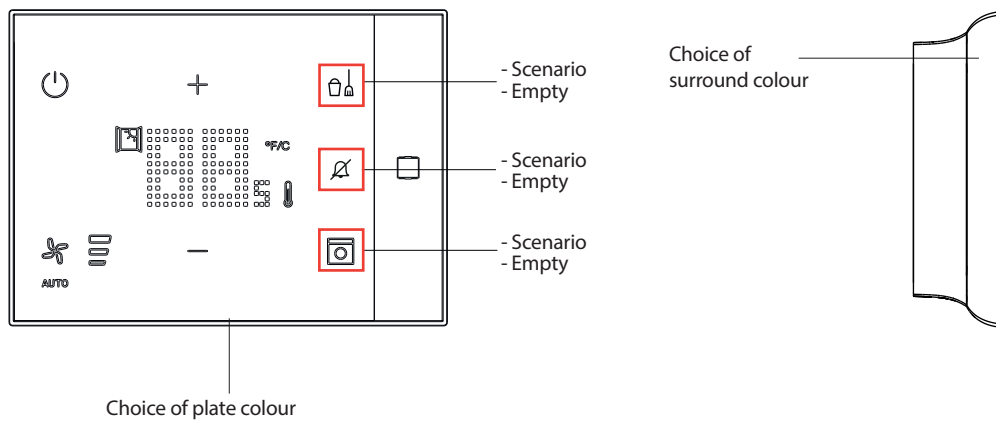
- Managing Eco/Comfort and electrical circuits by occupancy detection



6. INSTALLATION



7. CONFIGURED VERSION CAT.NOS 0 489 83/465083



The configurator is available on the following website: www.uxforhotels.legrand.com.
The list of pictogram and colour options (plate and surround) can be accessed via the configurator.