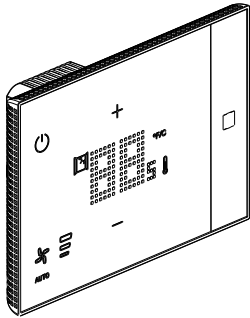


UXone Hotel thermostat

Cat.No(s): **0 489 04/06/27/29/81**
465005/07/27/29/81



CONTENTS	Page
1. Description	1
2. Technical characteristics	1
3. Standards, certifications and markings ...	1
4. Dimensions	1
5. Connection diagrams	2
6. Installation	4
7. Configured version	
Cat.Nos 0 489 81/465081	4

1. DESCRIPTION

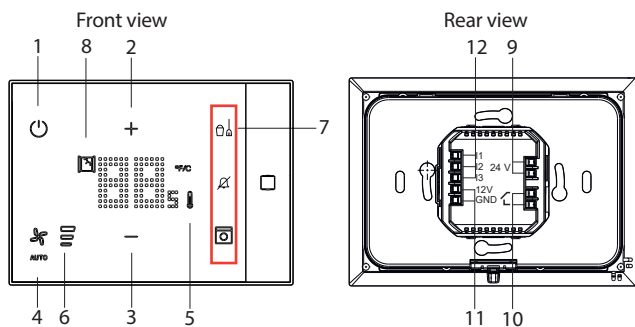
The thermostat is dedicated to hotels and is equally suitable for heating and/or air-conditioning installations. It can be used to display and set the setpoint temperature, fan speed, and switch to thermal overload protection. Scenario controls are also available in configured and standard versions.

It can also be used to manage energy in the room by enabling/disabling the comfort temperature and electrical circuits.

The screen displays the measured ambient temperature or the setpoint temperature.

It has a proximity sensor which can be disabled by configuration: when the device detects an approach, it switches from standby state to active state. The LED brightness level (on standby or active) and the time delay before returning to standby state can also be set by configuration.

The thermostat must be installed on a wall at a height of approximately 150 cm above the floor, unless otherwise specified by the applicable standards.



Key

1. MODE button: pressing briefly changes from normal mode (ON) to protection mode (frost guard or thermal overload).
2. + button: increases the reference value
3. - button: decreases the reference value
4. FAN button: sets the fan speed (3 levels) + automatic
5. Heating enabled indicator (red). Air conditioning enabled indicator (blue)
6. Fan speed indicator (3 levels) + automatic
7. Scenario buttons (configured and standard versions if available)
8. "Window open" detection indicator
9. Power supply
10. Local contact
11. 12 V output
12. Switch inputs

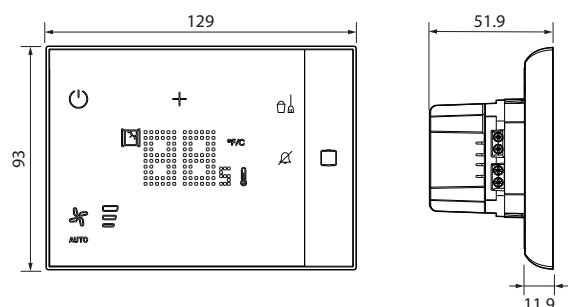
2. TECHNICAL CHARACTERISTICS

Power supply :	24 Vac/dc
Terminal type : screw	
Capacity of supply terminals : 1.5 mm ²	
Capacity of 12V input and output terminals : 0.2-0.5 mm ²	
Consumption with screen off:	70 to 27 mA
Consumption with ultra-bright screen:	130 to 58 mA
Operating temperature:	0°C to +40°C
Storage temperature:	-20°C to +70°C
Unit of measurement:	°C or °F
Protection index:	IP 20, IK 04
Plate and surround colour (standard):	Black Cat.Nos 0 489 04/27 465005/27 or White Cat.Nos 0 489 06/29 465007/29
Factory settings: the device is supplied not configured. The heating and air conditioning values will need to be set.	

3. STANDARDS, CERTIFICATIONS AND MARKINGS

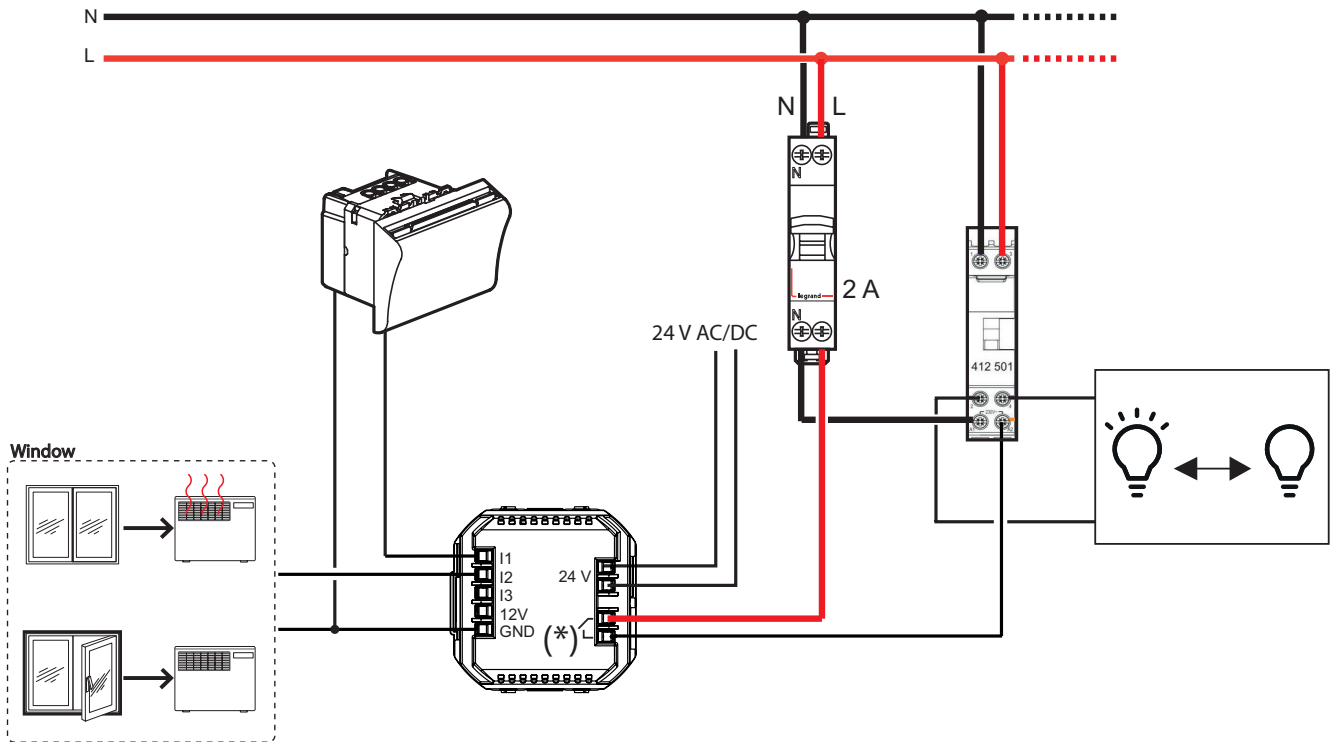
EN 60669-2-1
 EN 301489-17
 EN 300328
 EN 62311
 CE marked

4. DIMENSIONS



5. CONNECTION DIAGRAMS

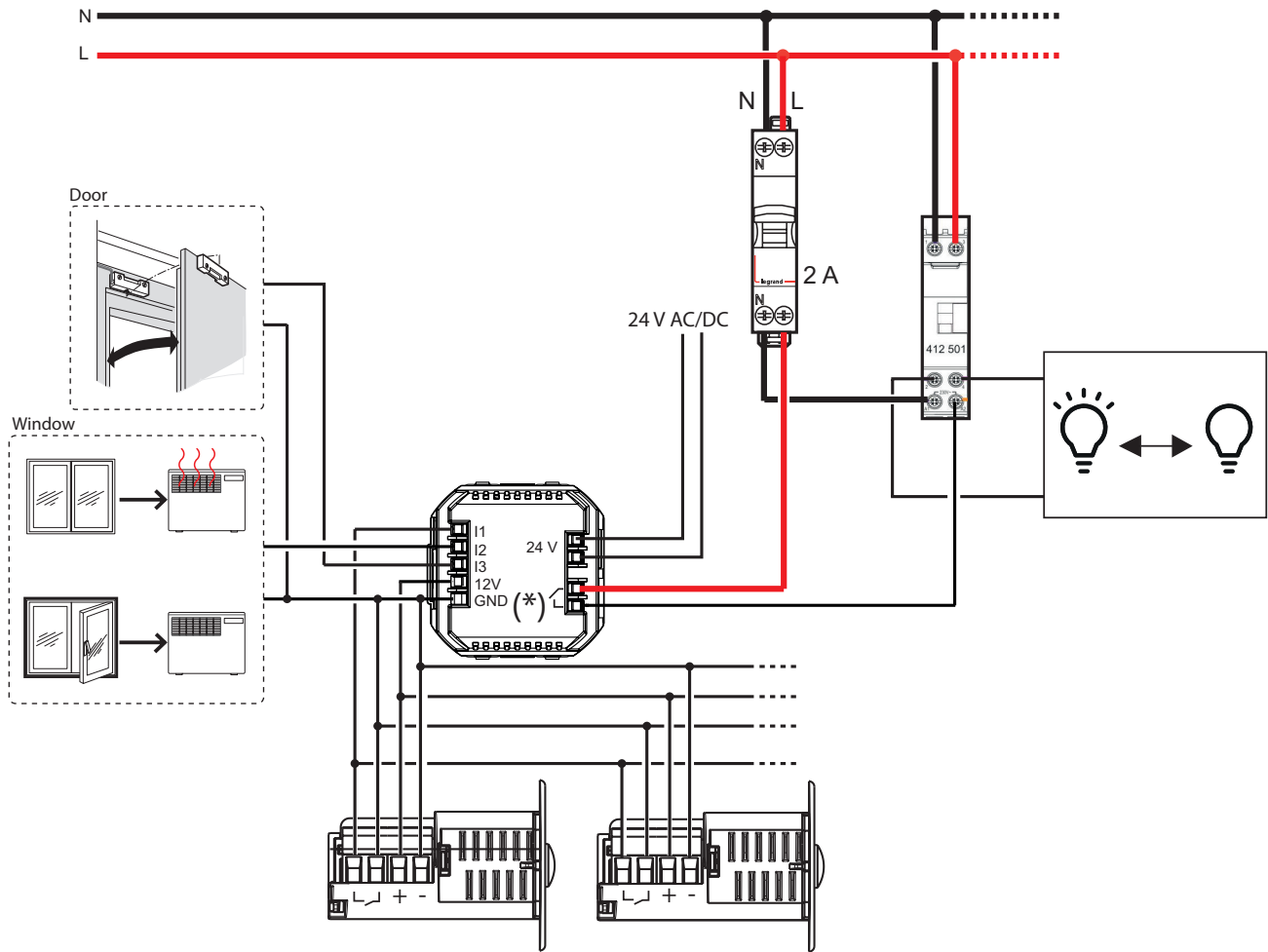
- Managing Eco/Comfort and electrical circuits by keycard insertion/removal



(*) Enable/Disable relay depending on whether keycard is inserted/removed

5. CONNECTION DIAGRAMS (CONTINUED)

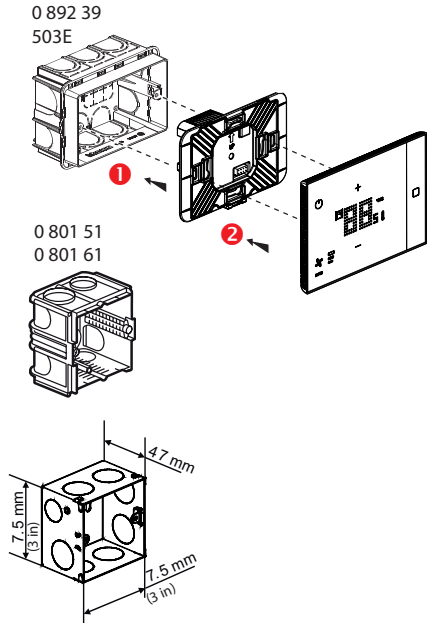
- Managing Eco/Comfort and electrical circuits by occupancy detection



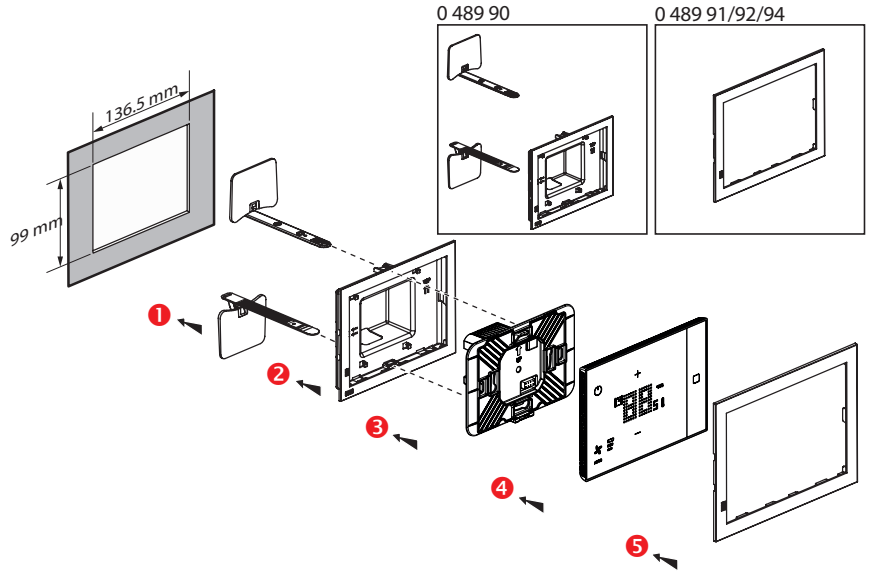
(*) Enable/Disable relay depending on detection or non-detection

6. INSTALLATION

Surface-mounted with flush-mounting boxes

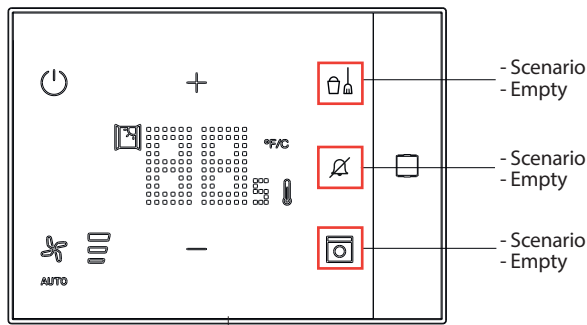


Flush-mounted with accessories



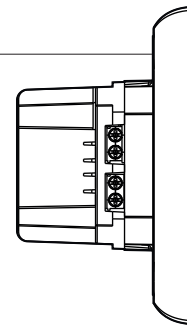
Accessory Cat.No. 0 489 90 should be fitted in woodwork only.

7. CONFIGURED VERSION CAT.NOS 0 489 81/465081



Choice of plate colour

Choice of surround colour



The configurator is available on the following website: www.uxforhotels.legrand.com.
The list of pictogram and colour options (plate and surround) can be accessed via the configurator.