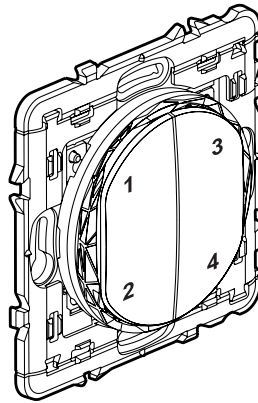


Wireless and batteryless 4 scenes control

Catalog number(s) : CB0424 - CB9424 - CN0424 - CN9424 - CT0424
 0 677 55L/56L/68L/69L/87L
 0 770 26L - 6 000 84L - 7 418 02L/32L/62L
 5 742 88/94 - 5 743 23 - 5 744 40/41/42/43 - 5 748 37



1. USE

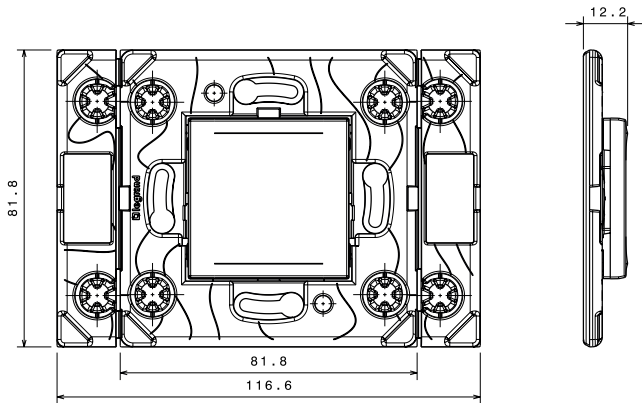
- Wireless, batteryless control for lighting 4 scenes fonction.
- Controls the connected lighting micromodules, socket-outlets, switches and roller shutters.
- Fixes directly on the wall or screws onto a flush-mounting box.
- Fits on a piece of furniture (movable).
- Can be associated with 20 connected products.
- Can be combined in multigangs with other wiring devices (except in Arteor).
- Mechanism designed to run 1 million operations

2. RANGE

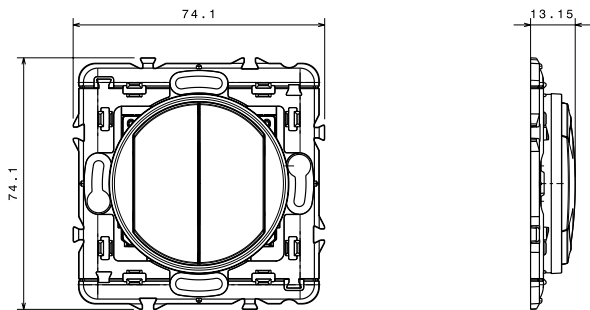
- Wireless, batteryless control for lighting 4 scenes fonction.
- Equipped with a RESET button (hidden) used to return to factory
- Repositionable self-adhesive fixings supplied.
- To be equipped with plate.

	White	Black	Titanium	Aluminium	Champagne	Magnesium
Céliane (before 2024)	0 677 55L/68L	0 677 69L/87L (graphite)	067756L			
Céliane (2024)	CB0424 - CB9424	CN0424 - CN9424	CT0424			
Dooxie	6 000 84L					
Mosaïc	0 770 26L					
Valena Next	7 418 02L	7 418 62L		7 418 32L		
Arteor	5 742 88 - 5 744 40			5 742 94 - 5 744 43	5 748 37 - 5 744 2	5 743 23 - 5 744 41

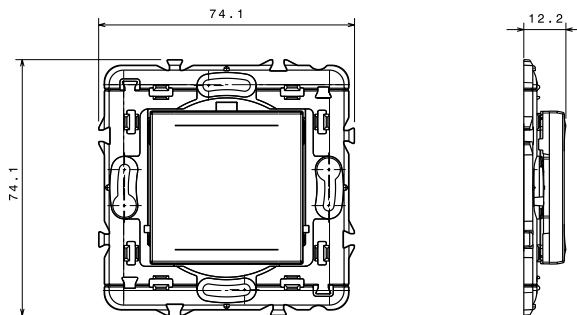
3. DIMENSIONS (MM)



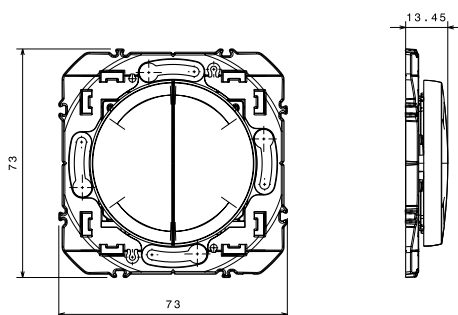
ARTEOR



CELIANE

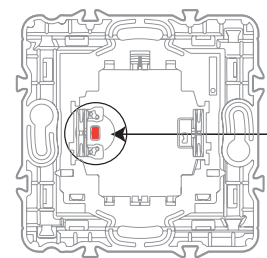
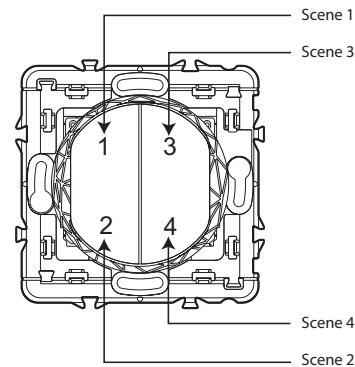


MOSAIC/VALENA NEXT



DOOXIE

4. OPERATION



CONFIGURATION button used for programming:
 - association
 - channel change
 - return to factory mode (by simultaneous presses with the rocker on the front of the product)

5. TECHNICAL CHARACTERISTICS

5.1 Mechanical characteristics

Impact protection : IK 02

Protection against solid/liquid bodies : IP 20 without plate

IP 40 assembled product

Mechanical handling: 1 000 000 operations

5.2 Material characteristics

Rocker :

white : ABS

Black/Titanium/Aluminium/Champagne/Magnesium : painted ABS

Halogen free

Mechanism box charged PBT 10 % fiberglass with support charged PC 10% fiberglass

5.3 Electrical characteristics

Autonomous wireless and batteryless control

Radio technology zigbee frequency 2,4 GHz to 2,4835 GHz

Radio performance : Minimum range 150 m in point-to-point link and free field.

Radio performance with metallic finish : Minimum range 75 m in point-to-point link and free field.

Power level : < 10 mW

Zigbee channel by default : 11

Technology: Zigbee PRO Certified, Green Power feature (bidirectional communication : not supported).

IEEE 802.15.4 (LR-WPAN).

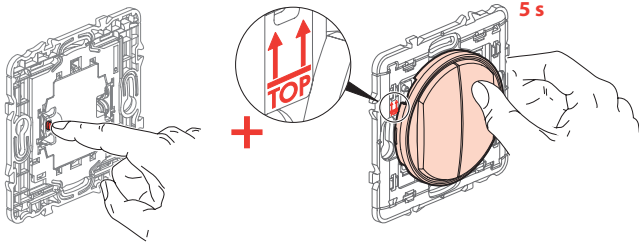
5.4 Climatic characteristics

Use temperature (except external conditions) : - 10° C to + 50° C

Storage temperature : - 10° C to + 50° C

6.3 BACK TO FACTORY MODE (DISASSOCIATION + BACK ON CHANNEL 11)

 This sequence removes the associations of all the command's buttons



While holding the «setup» button on the wireless, batteryless control, press one of the upper buttons for 5 seconds. Check that your control is correctly reset by pressing one of them.

Additional Zigbee documentation is available at «developer.legrand.com».

7. CARE

Clean the surface with a cloth. Do not use acetone, tar-removing cleaning agents or trichloroethylene.

Resistant to the following products: Hexane (EN 60669-1), methylated spirit, soapy water, diluted ammonia, bleach diluted to 10%, window-cleaning products, pre-impregnated wipes.

Caution : Always test before using special cleaning products, a prior test is required

Must not be painted.

8. ACCESSORIES

0 648 71: Repositionable adhesive for wireless control

9. STANDARDS AND APPROVALS

9.1 EU DECLARATION OF CONFORMITY

The undersigned, LEGRAND, declares that the radio-electric equipment type (CB0424 - CB9424 - CN0424 - CN9424 - CT0424 - 0 677 55L/56L/68L/69L/87L - 0 770 26L - 6 000 84L - 7 418 02L/32L/62L - 5 742 88/94 - 5 743 23 - 5 744 40/41/42/43 - 5 748 37) complies with directive 2014/53/ EU.

The full text of the EU declaration of conformity is available on the following website: www.legrand.com/ecatalogue

9.2 FCC/IC CONFORMITIES



FCC ID: 2ACN8-ZLGP1X IC: 12132A-ZLGP1X MODEL : ZLGP15

This device contains licence-exempt transmitter(s)/receiver(s) that comply with FCC RF and Innovation, Science and Economic Development Canada's licence-exempt RSS(s). Operation is subject to the following two conditions: (1) this device may not cause interference, and (2) This device must accept any interference, including interference that may cause undesired operation of the device.

This device complies with FCC and ISED radiation exposure limits set forth for general population. This device must not be co-located or operating in conjunction with any other antenna or transmitter.

FCC Caution: the user that changes or modifications not expressly approved by the party responsible for compliance could void the user's authority to operate the equipment.

FCC NOTE: This equipment has been tested and found to comply with the limits for a Class B digital device, pursuant to part 15 of the FCC Rules. These limits are designed to provide reasonable protection against harmful interference in a residential installation. This equipment generates, uses and can radiate radio frequency energy and, if not installed and used in accordance with the instruction, may cause harmful interference to radio communications. However, there is no guarantee that interference will not occur in a particular installation. If this equipment does cause harmful interference to radio or television reception which can be determined by turning the equipment off and on, the user is encouraged to try to correct interference by one or more of the following measures:

- Reorient or relocate the receiving antenna.
- Increase the separation between the equipment and receiver.
- Connect the equipment into an outlet on circuit different from that to which the receiver is connected.
- Consult the dealer or an experienced radio/TV technician for help.

9.3 CMIM DECLARATION OF CONFORMITY



The full text of the CMIM declaration of conformity is available on the following website: www.legrand.com/ecatalogue

9.4 UKCA DECLARATION OF CONFORMITY



Only for Arteur range ;

The full text of the UKCA declaration of conformity is available on the following website: www.legrand.com/ecatalogue

CONNECTIVITY STANDARDS ALLIANCE'S CERTIFICATION



certified by connectivity standards alliance

Model : ZLGP15