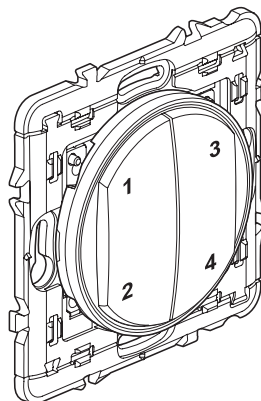


Wireless and batteryless 4 scenes control

Catalogue number(s) : 0 677 55L/56L/68L/69L/87L
 0 770 26L - 6 000 84L
 7 418 02L/32L/62L
 5 742 88/94 - 5 743 23 - 5 748 37



1. USE

Wireless, batteryless control for lighting double scenes fonction.
 Controls the connected lighting micromodules, socket-outlets, dimmer-switches and roller shutters.

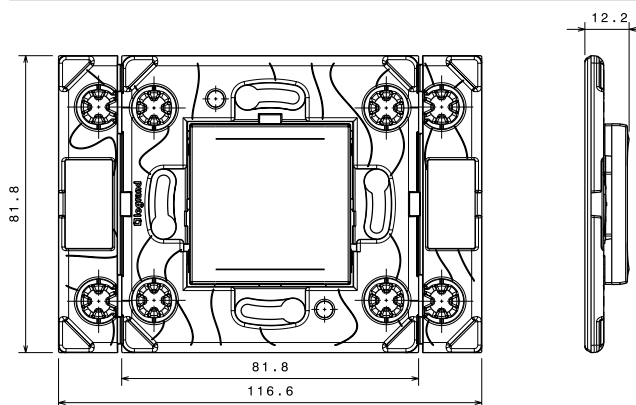
- Can be fixed directly to a wall, screwed to an electric flush mounting box or placed on a cabinet.
- Can be combined in multigangs with other wiring devices.
- Can control up to 20 connected products

2. RANGE

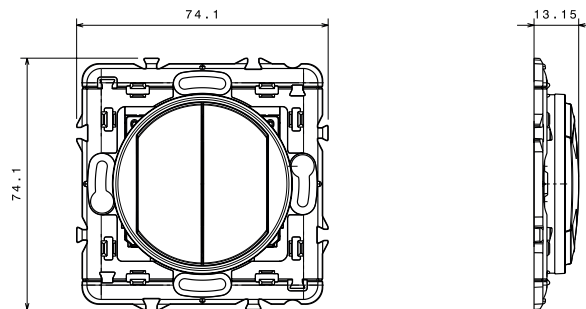
Delivered without plate.
 Equipped with a button used to configure the product.
 Repositionable self-adhesive stickers (x2 supplied)

RANGE	COLOR	CAT. NUMBER
CELIANE	White	0 677 55L/68L
CELIANE	Titanium	0 677 56L
CELIANE	Graphite	0 677 69L/87L
MOSAIC	White	0 770 26L
DOOXIE	White	6 000 84L
VALENA NEXT	White	7 418 02L
VALENA NEXT	Aluminium	7 418 32L
VALENA NEXT	Black	7 418 62L
ARTEOR	White	5 742 88
ARTEOR	Soft Alu	5 742 94
ARTEOR	Magnesium	5 743 23
ARTEOR	Champagne	5 748 37

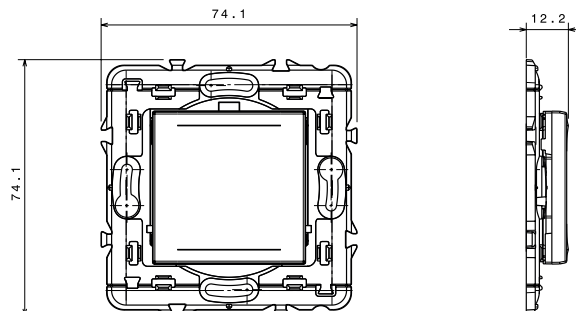
3. DIMENSIONS (MM)



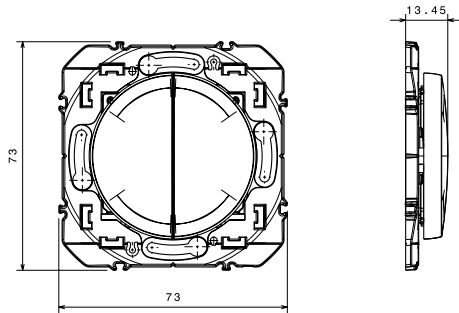
ARTEOR



CELIANE

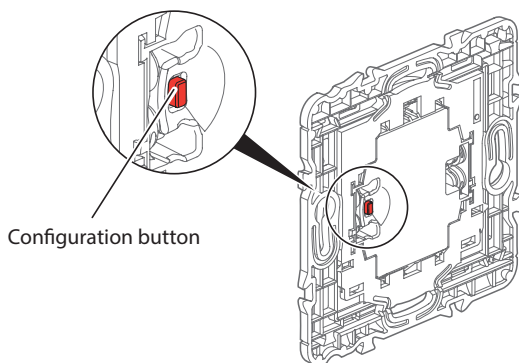
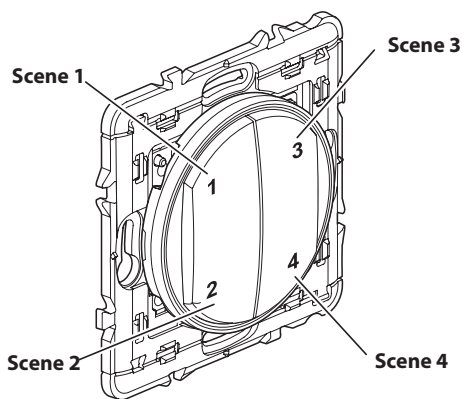


MOSAIC/VALENA NEXT



DOOXIE

4. OPERATION



5. TECHNICAL CHARECTERISTICS

5.1 Mechanical characteristics

Impact protection : IK 02
 Protection again solid/liquid bodies : IP 20 without plate
 IP 40 assembled product

5.2 Material caractéristiques

Rocker :
 white : ABS
 Color : ABS + paint
 Mechanism box with support : Charged PC 10 % fiberglass
 Halogen free
 UV resistant
 Self-extinguishing : 650° C / 30 s

5.3 Electrical characteristics

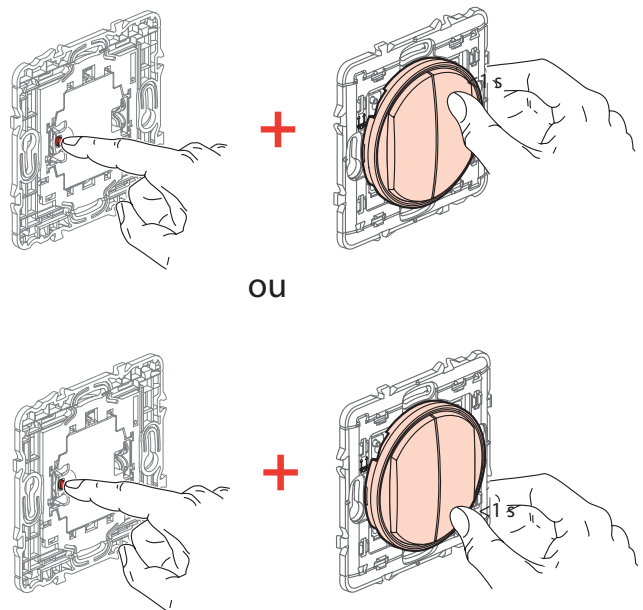
Self powered
 Radio technology zigbee frequency 2,4 GHz to 2,4835 GHz
 RADIO Performance : Minimum range 150 m in point-to-point link and free field
 Power level : < 20 mW
 Zigbee Canal by default : 11
 Technology: Zigbee PRO Certified, Green Power feature (bidirectional communication : not supported).

5.4 Climatic characteristics

Use temperature : + 5° C to + 45° C
 Storage temperature : 0° C to + 45° C

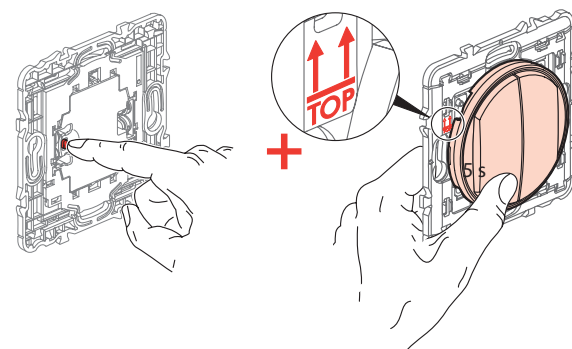
6. PROGRAMMATION

6.1 ASSOCIATION



While holding the «setup» button on the wireless, batteryless control, briefly press the «Day» (1), «Night» (2), «TV» (3) or «Reading» (4) button of the wireless batteryless control.

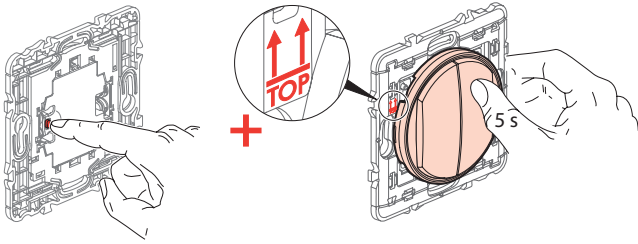
6.2 CHANNEL CHANGE



While holding the «setup» button on the wireless, batteryless control, press the lower button on the wireless batteryless control for 5 seconds.

Details and order of channel changes : (FACTORY : 11) 15, 20, 25, 12, 13, 14, 16, 17, 18, 19, 21, 22, 23, 24, 26, 11, 15, 20, ...

6.3 BACK IN FACTORY MODE (DISASSOCIATION + BACK ON CHANNEL 11)



While holding the «setup» button on the wireless, batteryless control, press the upper button for 5 seconds. Check that your control is correctly reset by making an «Day» command, then «Night».

Additional Zigbee documentation is available at «developer.legrand.com».

7. CARE

Clean the surface with a cloth.

Do not use acetone, tar-removing cleaning agents or trichloroethylene.

Resistant to the following products: Hexane (EN 60669-1), methylated spirit, soapy water, diluted ammonia, bleach diluted to 10%, window-cleaning products, pre-impregnated wipes.

Caution : Always test before using special cleaning products, a prior test is required

Must not be painted.

8. ACCESSORIES

0 648 71: Repositionable adhesive for wireless control

9. STANDARDS AND APPROVALS

The undersigned, LEGRAND, declares that the radio-electric equipment type (0 677 55L/56L/69L - 0 770 26L - 6 000 84L - 7 418 02L/32L/62L) complies with directive 2014/53/EU.

The full text of the EU declaration of conformity is available on the following website: www.legrandoc.com



certified by zigbee alliance

Model : ZLGP15