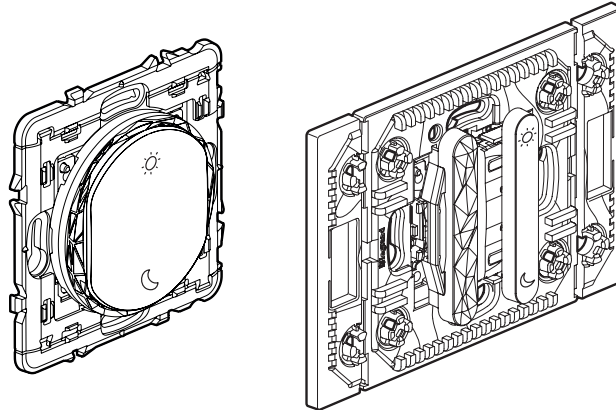


## Wireless and batteryless Wake Up/Sleep control

Cat. No(s) : AA5708MB/MT/MW - AC5708MB/MT/MW  
 CB0423 - CN0423 - CT0423 - 0 648 84L/85L  
 0 677 86L - 0 770 57L - 5 742 87/93  
 5 743 22 - 5 748 36 - 6 00084L  
 7 418 03L/33L/63L



### 1. USE

Wireless control without battery for lighting scene function.

Allows you to control micromodule products, power sockets, dimmer switches and wired roller shutter switches.

Fixes directly on the wall or screws onto a flush-mounting box.

Fits on a piece of furniture (movable).

Can be associated with 20 connected products.

Can be combined in multigangs with other wiring devices (except in Arteor, Arteor Advance).

Mechanism designed to run 1 million operations

### 2. RANGE

Wireless control without battery for lighting scene function.

Equipped with a RESET button (hidden) used to return to factory

Repositionable self-adhesive fixings supplied.

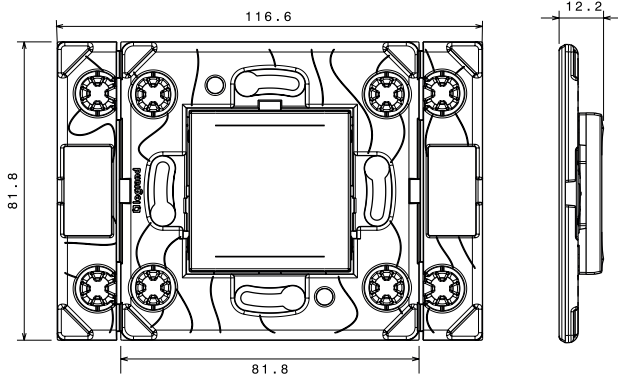
To be equipped with plate.

	White	Black	Titanium	Aluminium	Champagne	Magnesium
<b>Céliane (before 2024)</b>	0 648 84L	0 677 86L (graphite)	0 648 85L			
<b>Céliane (2024)</b>	CB0423	CN0423	CT0423			
<b>Dooxie</b>	6 000 84L					
<b>Mosaic</b>	0 770 57L					
<b>Valena Next</b>	7 418 03L	7 418 63L		7 418 33L		
<b>Arteor</b>	5 742 87			5 742 93	5 748 36	5 743 22
<b>Arteor Advance</b>	AA5708MW (Matt) AC5708MW (Matt)	AA5708MB (Matt) AC5708MB (Matt)	AA5708MT (Matt) AC5708MT (Matt)			

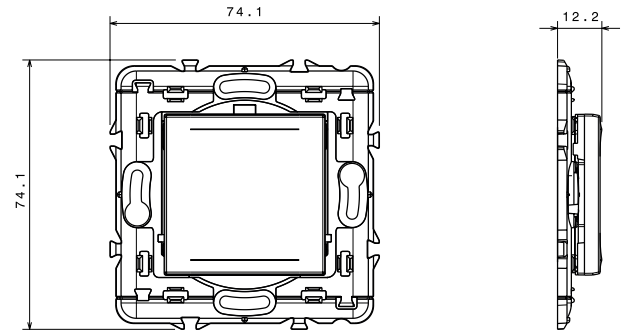
# Wireless and batteryless Wake Up/Sleep control

Cat. No(s) : AA5708MB/MT/MW - AC5708MB/MT/MW  
 CB0423 - CN0423 - CT0423 - 0 648 84L/85L  
 0 677 86L - 0 770 57L - 5 742 87/93  
 5 743 22 - 5 748 36 - 6 00084L  
 7 418 03L/33L/63L

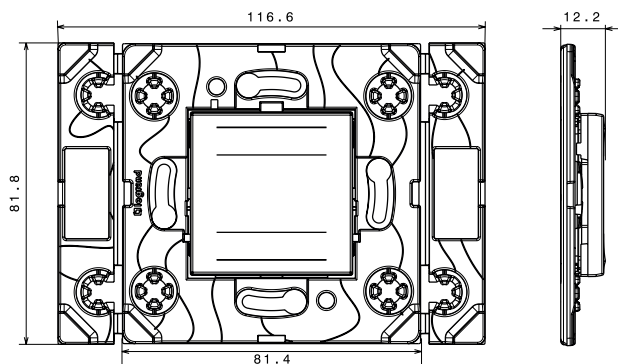
## 3. DIMENSIONS (MM)



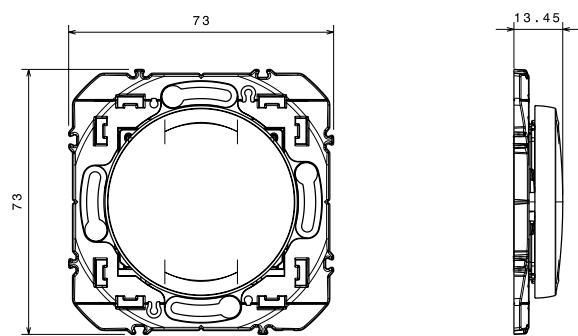
**ARTEOR**



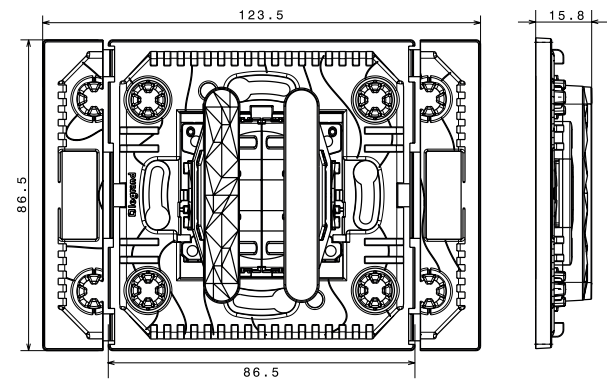
**MOSAIC/VALENA NEXT**



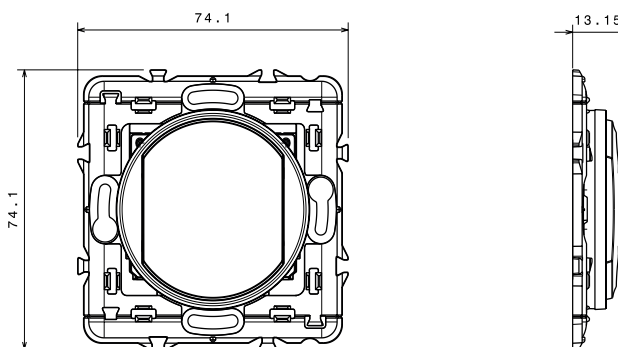
**ARTEOR ADVANCE (ACXXXXXX)**



**DOOXIE**



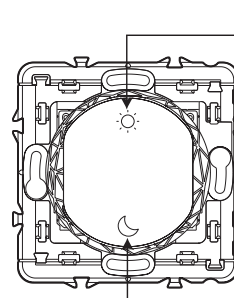
**ARTEOR ADVANCE (AAXXXXXX)**



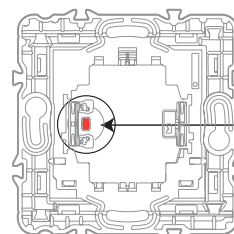
**CELIANE**

## 4. OPERATION

### 4.1 All ranges



Wake up scenario when pressed at the top:  
 By default, switches on the connected sockets.  
 Can be customised with the Home + Control app.



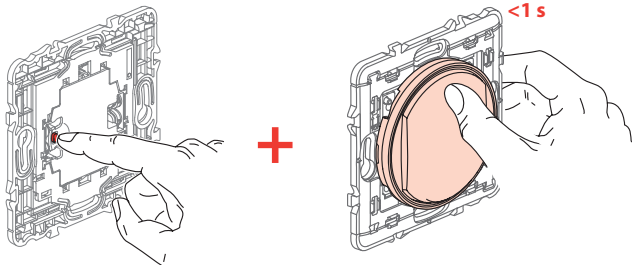
Leaving scenario when pressed at the bottom:  
 By default, switches OFF all the lights and roller shutters in the installation.  
 Can be customised with the Home + Control app.

CONFIGURATION button used for programming:  
 - association  
 - channel change  
 - return to factory mode (by simultaneous presses with the rocker on the front of the product)

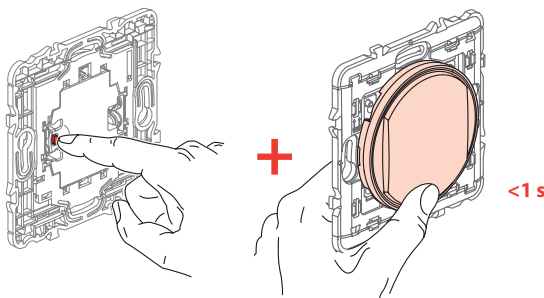


## 6.1.2 Manual pairing

**⚠ Caution**, if you select this mode, the QR Code data can no longer be used (not possible to pair with a tool): Initiate the receiver pairing procedure (see the manufacturer instructions for more details).

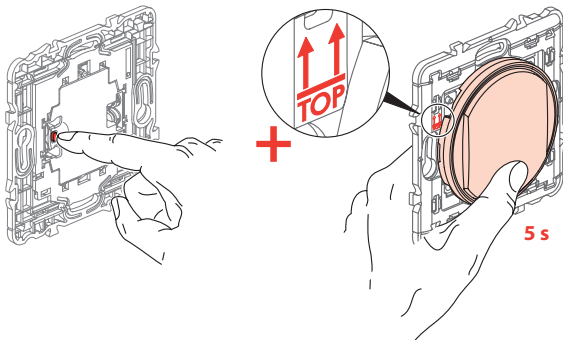


or



While holding the "setup" button on the wireless, batteryless control, **briefly** press the "Sleep" or "Wake Up" button on the wireless batteryless control.

## 6.2 Channel change

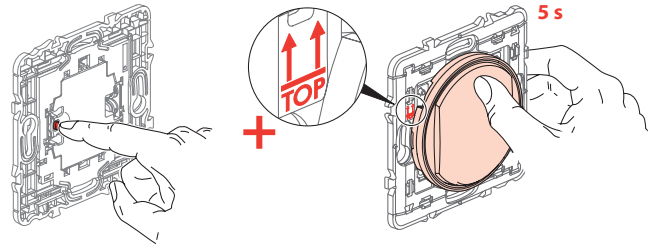


While holding the "setup" button on the wireless, batteryless control, press the lower button on the wireless batteryless control for 5 seconds.

Details and order of channel changes: (FACTORY : 11) 15, 20, 25, 12, 13, 14, 16, 17, 18, 19, 21, 22, 23, 24, 26, 11, 15, 20, ...

## 6.3 Back to factory mode (disassociation + back on channel 11)

**⚠ Caution**: executing this operation will erase all data exchanged during the manual pairing process. The product will revert to its factory-embedded configuration, as encoded in the QR code, for tool-based pairing.



While holding the "setup" button on the wireless, batteryless control, press the upper button for 5 seconds.

Check that your control is correctly reset by pressing "Wake Up" and then "Sleep".

Additional Zigbee documentation is available at "developer.legrand.com".

## 7. CARE

Clean the surface with a cloth.

Do not use acetone, tar-removing cleaning agents or trichloroethylene.

Resistant to the following products: Hexane (EN 60669-1), methylated spirit, soapy water, diluted ammonia, bleach diluted to 10%, window-cleaning products, pre-impregnated wipes.

**Caution:** Always test before using special cleaning products, a prior test is required

Must not be painted.

## 8. ACCESSORIES

0 648 71: Repositionable adhesive for wireless control

## 9. STANDARDS AND APPROVALS

### 9.1 EU declaration of conformity

The undersigned, LEGRAND, declares that the radio-electric equipment type (AA5708MB/MT/MW - AC5708MB/MT/MW - CB0423 - CN0423 - CT0423 - 0 648 84L/85L - 0 677 86L - 0 770 57L - 5 742 87/93 - 5 743 22 - 5 748 36 - 6 000 84L - 7 418 03L/33L/63L) complies with directive 2014/53/EU.

The full text of the EU declaration of conformity is available on the following website: [www.legrand.com/ecatalogue](http://www.legrand.com/ecatalogue)

### 9.2 FCC/IC conformities

**FCC** FCC ID: 2ACN8-ZLGP1X IC: 12132A-ZLGP1X MODEL: ZLGP16

This device contains licence-exempt transmitter(s)/receiver(s) that comply with FCC RF and Innovation, Science and Economic Development Canada's licence-exempt RSS(s). Operation is subject to the following two conditions: (1) this device may not cause interference, and (2) This device must accept any interference, including interference that may cause undesired operation of the device.

This device complies with FCC and ISED radiation exposure limits set forth for general population. This device must not be co-located or operating in conjunction with any other antenna or transmitter.

FCC Caution: the user that changes or modifications not expressly approved by the party responsible for compliance could void the user's authority to operate the equipment.

FCC NOTE: This equipment has been tested and found to comply with the limits for a Class B digital device, pursuant to part 15 of the FCC Rules. These limits are designed to provide reasonable protection against harmful interference in a residential installation. This equipment generates, uses and can radiate radio frequency energy and, if not installed and used in accordance with the instruction, may cause harmful interference to radio communications. However, there is no guarantee that interference will not occur in a particular installation.

If this equipment does cause harmful interference to radio or television reception which can be determined by turning the equipment off and on, the user is encouraged to try to correct interference by one or more of the following measures:

- Reorient or relocate the receiving antenna.
- Increase the separation between the equipment and receiver.
- Connect the equipment into an outlet on circuit different from that to which the receiver is connected.
- Consult the dealer or an experienced radio/TV technician for help.

### 9.3 CMIM Declaration of conformity



### 9.4 UKCA Declaration of conformity



Only for Arteor and Arteor Advance range

### 9.5 Connectivity standards alliance's certification



Model : ZLGP16