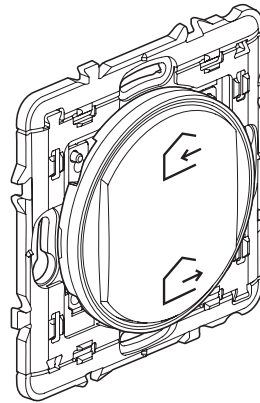


Wireless and batteryless Home/Away command

Catalogue number(s) : 0 648 72L/73L - 0 676 14L - 0 677 85L/90L
 0 770 56L - 6 000 85L
 7 418 01L/31L/61L
 5 742 86/92 - 5 743 21 - 5 748 28



1. USE

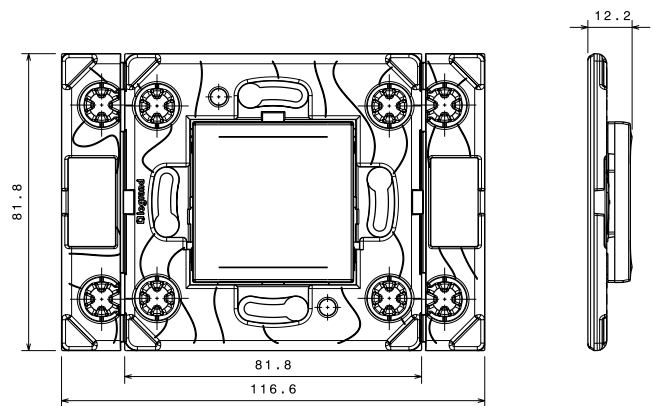
- Wireless, batteryless control for lighting scenes fonction.
 Controls the connected lighting micromodules, socket-outlets, dimmer-switches and roller shutters.
- Can be fixed directly to a wall, screwed to an electric flush mounting box or placed on a cabinet.
 - Can be combined in multigangs with other wiring devices except in Arteor.
 - Can control up to 20 connected products

2. RANGE

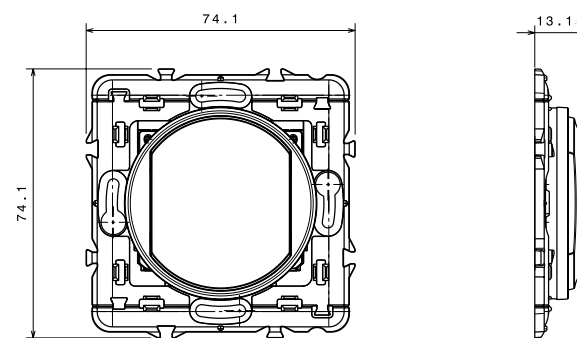
Delivered without plate.
 Equipped with a button used to configure the product.
 Repositionable self-adhesive stickers (x2 supplied)

RANGE	COLOR	CAT. NUMBER
CELIANE	White	0 648 72L - 0 677 90L
CELIANE	Titanium	0 648 73L
CELIANE	Graphite	0 677 85L- 0 676 14L
MOSAIC	White	0 770 56L
DOOXIE	White	6 000 85L
VALENA NEXT	White	7 418 01L
VALENA NEXT	Aluminium	7 418 31L
VALENA NEXT	Black	7 418 61L
ARTEOR	White	5 742 86
ARTEOR	Soft Alu	5 742 92
ARTEOR	Magnesium	5 743 21
ARTEOR	Champagne	5 748 28

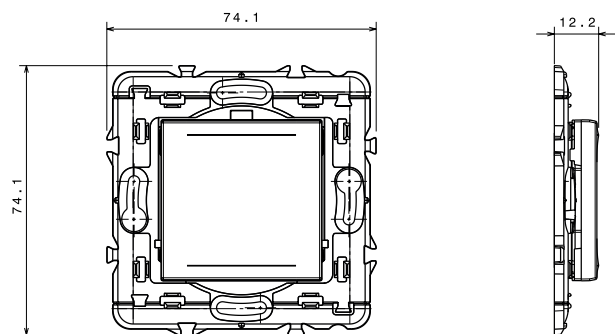
3. DIMENSIONS (MM)



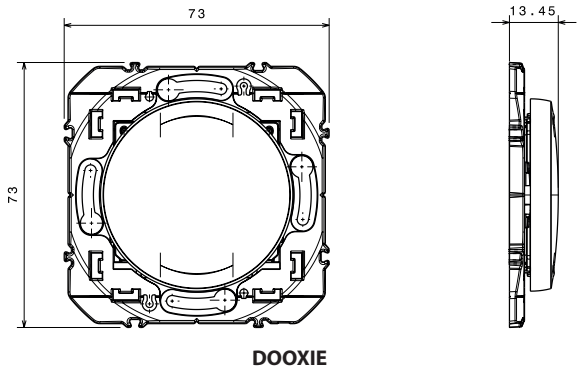
ARTEOR



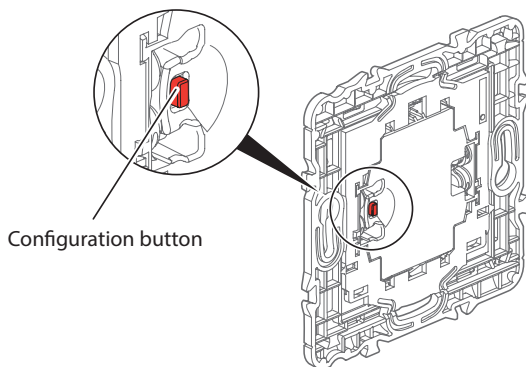
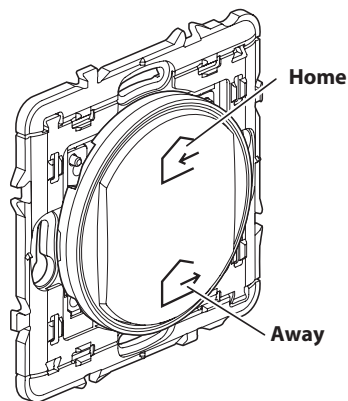
CELIANE



MOSAIC/VALENA NEXT



4. OPERATION



5. TECHNICAL CHARECTERISTICS

5.1 Mechanical characteristics

Impact protection : IK 02
 Protection again solid/liquid bodies : IP 20 without plate
 IP 40 assembled product

5.2 Material characteristics

Rocker :
 white : ABS
 Color : ABS + paint
 Mechanism box with support : Charged PC 10 % fiberglass
 Halogen free
 UV resistant
 Self-extinguishing : 650° C / 30 s

5.3 Electrical characteristics

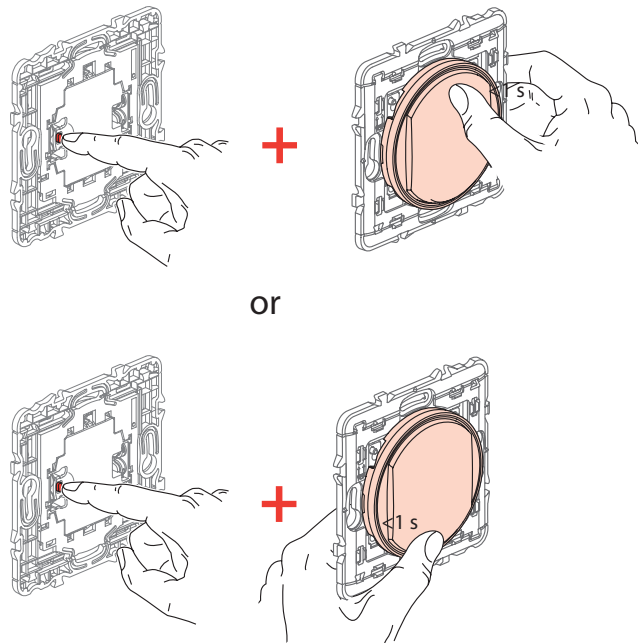
Self powered
 Radio technology zigbee frequency 2,4 GHz to 2,4835 GHz
 RADIO Performance : Minimum range 150 m in point-to-point link and free field
 Power level : < 20 mW
 Zigbee Canal by default : 11
 Technology: Zigbee PRO Certified, Green Power feature (bidirectional communication : not supported).

5.4 Climatic characteristics

Use temperature : + 5° C to + 45° C
 Storage temperature : 0° C to + 45° C

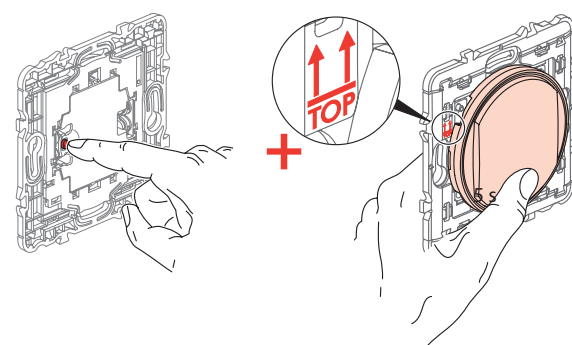
6. PROGRAMMATION

6.1 ASSOCIATION



While holding the «setup» button on the wireless, batteryless control, briefly press the «Home» or «Away» button on the wireless batteryless control.

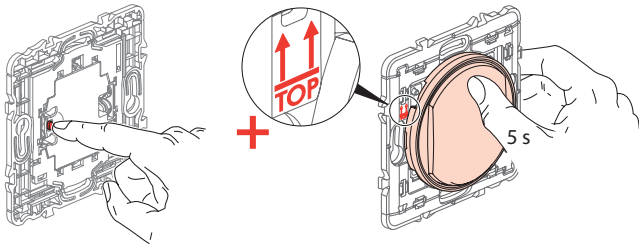
6.2 CHANNEL CHANGE



While holding the «setup» button on the wireless, batteryless control, press the lower button on the wireless batteryless control for 5 seconds.

Details and order of channel changes : (FACTORY : 11) 15, 20, 25, 12, 13, 14, 16, 17, 18, 19, 21, 22, 23, 24, 26, 11, 15, 20, ...

6.3 BACK IN FACTORY MODE (DISASSOCIATION + BACK ON CHANNEL 11)



While holding the «setup» button on the wireless, batteryless control, press the upper button for 5 seconds. Check that your control is correctly reset by making an «Home» command, then «Away».

Additional Zigbee documentation is available at «developer.legrand.com».

7. CARE

Clean the surface with a cloth.

Do not use acetone, tar-removing cleaning agents or trichloroethylene.

Resistant to the following products: Hexane (EN 60669-1), methylated spirit, soapy water, diluted ammonia, bleach diluted to 10%, window-cleaning products, pre-impregnated wipes.

Caution : Always test before using special cleaning products, a prior test is required

Must not be painted.

8. ACCESSORIES

0 648 71: Repositionable adhesive for wireless control

9. STANDARDS AND APPROVALS

The undersigned, LEGRAND, declares that the radio-electric equipment type (0 648 72L/73L - 0 677 85L - 0 770 56L - 6 000 8L - 7 418 01L/31L/61L) complies with directive 2014/53/EU.

The full text of the EU declaration of conformity is available on the following website: www.legrandoc.com



certified by zigbee alliance

Model : ZLGP14