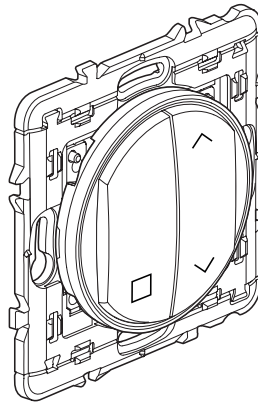


Wireless and batteryless control for roller shutters

Catalogue number(s) : 0 676 46L/47L - 0 677 64L
 0 770 55L - 6 000 87L
 7 418 08L/38L/68L



1. USE

Wireless, batteryless control for wired roller shutter switches

- Can be fixed directly to a wall, screwed to an electric flush mounting box or placed on a cabinet.
- Can be combined in multigangs with other wiring devices.
- Can control up to 20 connected roller shutter switches.

2. RANGE

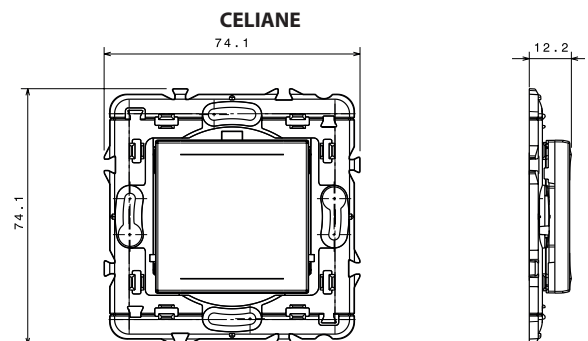
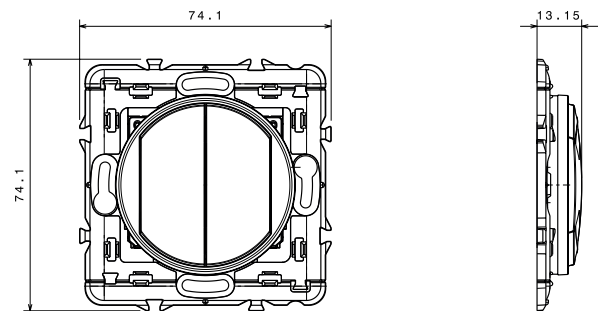
Delivered without plate.

Equipped with a button used to configure the product.

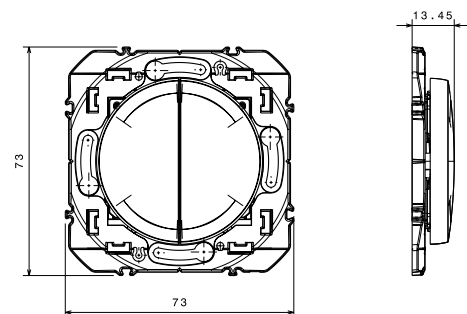
Repositionable self-adhesive stickers (x2 supplied)

RANGE	COLOR	CAT. NUMBER
CELIANE	White	0 676 46L
CELIANE	Titanium	0 676 47L
CELIANE	Graphite	0 677 64L
MOSAIC	White	0 770 55L
DOOXIE	White	6 000 87L
VALENA NEXT	White	7 418 08L
VALENA NEXT	Aluminium	7 418 28L
VALENA NEXT	Black	7 418 68L

3. DIMENSIONS (MM)

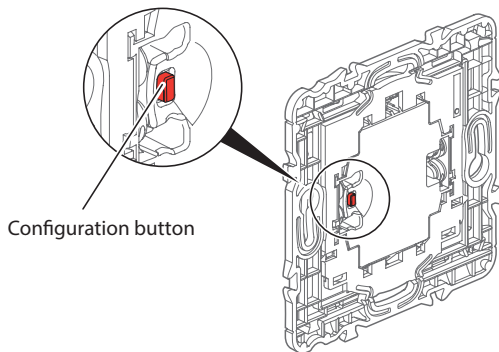
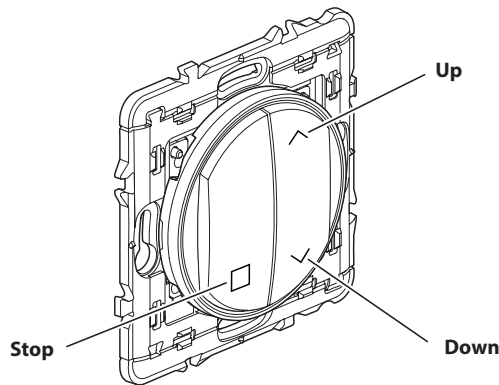


MOSAIC/VALENA NEXT



DOOXIE

4. OPERATION



5. TECHNICAL CHARECTERISTICS

5.1 Mechanical characteristics

Impact protection : IK 02
Protection again solid/liquid bodies : IP 20 without plate
IP 40 assembled product

5.2 Material caractéristiques

Rocker :
white : ABS
Color : ABS + paint
Mechanism box with support : Charged PC 10 % fiberglass
Halogen free
UV resistant
Self-extinguishing : 650° C / 30 s

5.3 Electrical characteristics

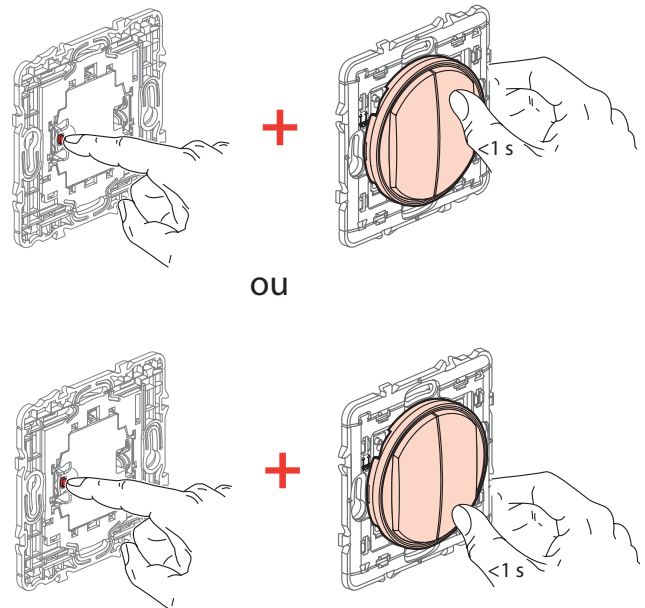
Self powered
Radio technology zigbee frequency 2,4 GHz to 2,4835 GHz
RADIO Performance : Minimum range 150 m in point-to-point link and free field
Power level : < 20 mW
Zigbee Canal by default : 11
Technology: Zigbee PRO Certified, Green Power feature (bidirectional communication : not supported).

5.4 Climatic characteristics

Use temperature : + 5° C to + 45° C
Storage temperature : 0° C to + 45° C

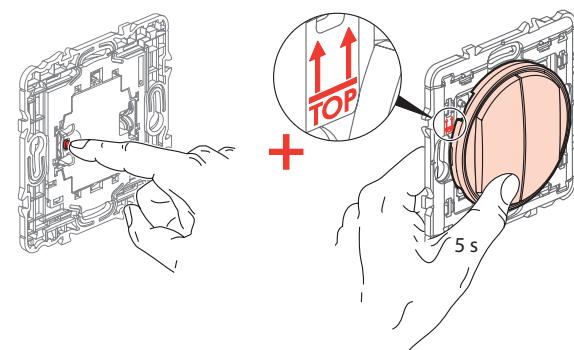
6. PROGRAMMATION

6.1 ASSOCIATION



While holding the «setup» button on the wireless, batteryless control, briefly press the «Stop», «Up» or «Down» button on the wireless batteryless control.

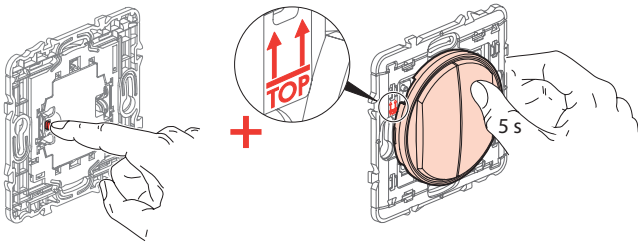
6.2 CHANNEL CHANGE



While holding the «setup» button on the wireless, batteryless control, press the lower button on the wireless batteryless control for 5 seconds.

Details and order of channel changes : (FACTORY : 11) 15, 20, 25, 12, 13, 14, 16, 17, 18, 19, 21, 22, 23, 24, 26, 11, 15, 20, ...

6.3 BACK IN FACTORY MODE (DISASSOCIATION + BACK ON CHANNEL 11)



While holding the «setup» button on the wireless, batteryless control, press the upper button for 5 seconds. Check that your control is correctly reset by making an «Up» command, then «Down».

Additional Zigbee documentation is available at «developer.legrand.com».

7. CARE

Clean the surface with a cloth.
Do not use acetone, tar-removing cleaning agents or trichloroethylene.
Resistant to the following products: Hexane (EN 60669-1), methylated spirit, soapy water, diluted ammonia, bleach diluted to 10%, window-cleaning products, pre-impregnated wipes.

Caution : Always test before using special cleaning products, a prior test is required

Must not be painted.

8. ACCESSORIES

0 648 71: Repositionable adhesive for wireless control

9. STANDARDS AND APPROVALS

The undersigned, LEGRAND, declares that the radio-electric equipment type (0 677 46L/47L - 0 677 64L - 0 770 55L - 6 000 87L - 7 418 08L/38L/68L) complies with directive 2014/53/EU.

The full text of the EU declaration of conformity is available on the following website: www.legrandoc.com



Model : ZLGP12