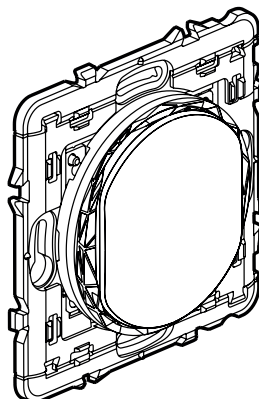


Wireless and batteryless lighting control

Catalog number(s) : CB0420 - CN0420 - CT0420
 0 677 23L/73L/79L - 0 770 53L - 6 000 83L
 5 742 10/39/55 - 5 743 24
 7 418 13L/43L/73L



1. USE

Wireless and batteryless lighting control for ON/OFF/Dimming function.

Controls the following products: micromodules (ON/OFF/Dimming, cable outlets, sockets, dimmer switches and connected remote control switches).

Can be used as a two-way switch or to control a lighting group.

Fixes directly on the wall or screws onto a flush-mounting box.

Fits on a piece of furniture (movable).

Can be associated with 20 connected products.

Can be combined in multigangs with other wiring devices (except in Arteur).

Mechanism designed to run 1 million operations

2. RANGE

Wireless and batteryless lighting control for ON/OFF/Dimming function.

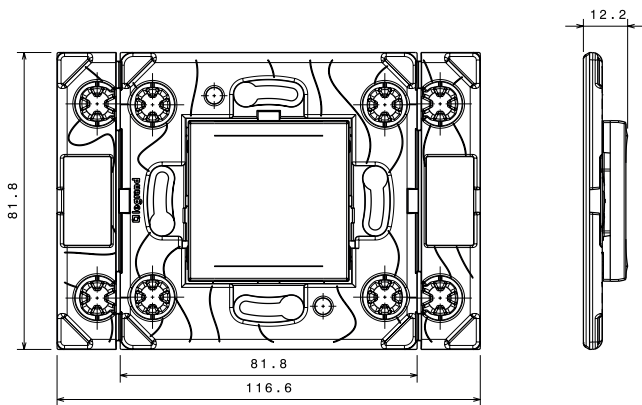
Equipped with a RESET button (hidden) used to return to factory

Repositionable self-adhesive fixings supplied.

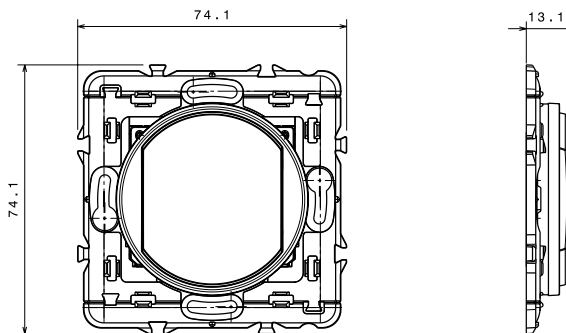
To be equipped with plate.

	White	Black	Titanium	Aluminium	Champagne	Magnesium
Céliane (before 2024)	0 677 23L	0 677 79L (graphite)	0 677 73L			
Céliane (2024)	CB0420	CN0420	CT0420			
Dooxie	6 000 83L					
Mosaïc	0 770 53L					
Valena Next	7 418 13L	7 418 43L		7 418 73L		
Arteur	5 742 39			5 742 10 (soft)	5 742 55	5 743 24

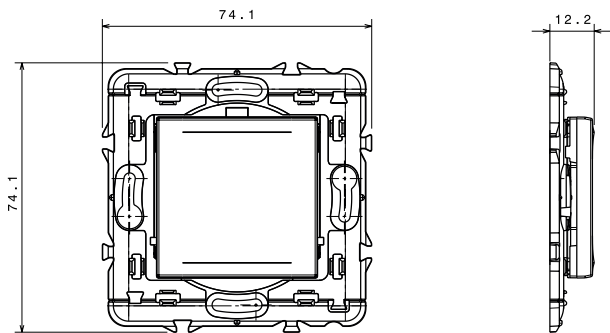
3. DIMENSIONS (MM)



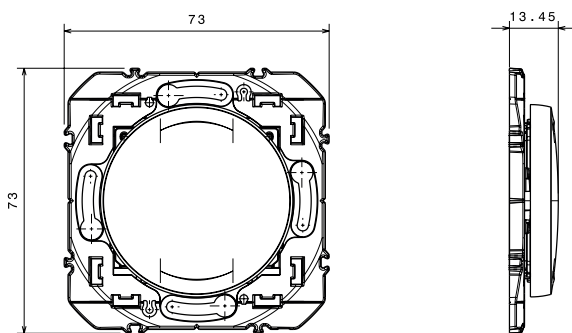
ARTEOR



CELIANE

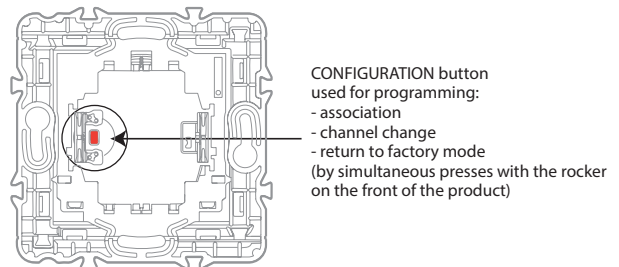
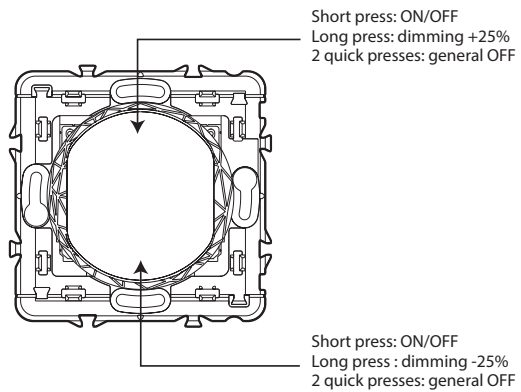


MOSAIC/VALENA NEXT



DOOXIE

4. OPERATION



5. TECHNICAL CHARACTERISTICS

5.1 Mechanical characteristics

Impact protection : IK 02
 Protection again solid/liquid bodies : IP 20 without plate
 IP 40 assembled product
 Mechanical handling: 1 000 000 operations

5.2 Material characteristics

Rocker :
 white : ABS
 Black/Titanium/Aluminium/Champagne/Magnesium : painted ABS
 Halogen free
 Mechanism box charged PBT 10 % fiberglass with support charged PC
 10% fiberglass

5.3 Electrical characteristics

Autonomous wireless and batteryless control
 Radio technology zigbee frequency 2,4 GHz to 2,4835 GHz
Radio performance : Minimum range 150 m in point-to-point link and free field.
 Radio performance with metallic finish : Minimum range 75 m in point-to-point link and free field.
 Power level : < 10 mW
 Zigbee channel by default : 11
 Technology: Zigbee PRO Certified, Green Power feature (bidirectional communication : not supported).
 IEEE 802.15.4 (LR-WPAN).

5.4 Climatic characteristics

Use temperature (except external conditions) : - 10° C to + 50° C
 Storage temperature : - 10° C to + 50° C

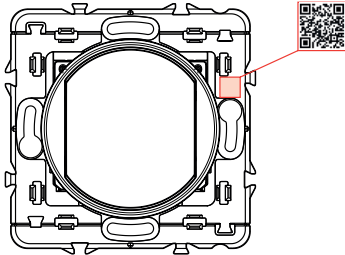
6. PROGRAMMATION

In any cases, refer to the using instructions of devices to be associated.

6.1 PAIRING

6.1.1 PAIRING WITH A TOOL

Requires a tool (software, app, etc) connected to the receiver Zigbee network, communicating on channel 11 and capable of exploiting and communicating this data to the destination receiver(s) (pairing):
 a- scan the QR Code in front:



b - Depending on the tools available, decode the QR CODE frame with the following fields:

The structure of the QR CODE is as follows:

«**G\$K**:ZLGP17**\$O**:XX**H\$S**:YYYYYYYY»

With :

In bold: fixed prefixes and separators common to all products;

In regular: variables unique to products

-after «K»: the product greenpower model(ZLGP17 = Toggle On/Off)

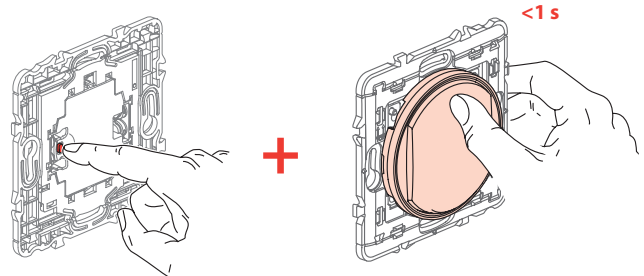
-after «O»: the unique security key with 32 unique and random characters (W) and 4 CRC characters (X)

-after the first «S»: the SourceID

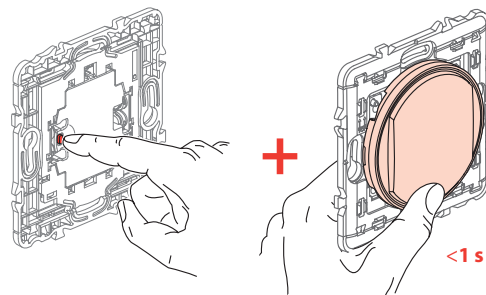
If the paired receiver status doesn't change, complete the **FACTORY RESET** operation in Section 6.3, and try again.

6.1.2 MANUAL PAIRING

Caution, if you select this mode, the QR Code data can no longer be used (not possible to pair with a tool): Initiate the receiver pairing procedure (see the manufacturer instructions for more details).

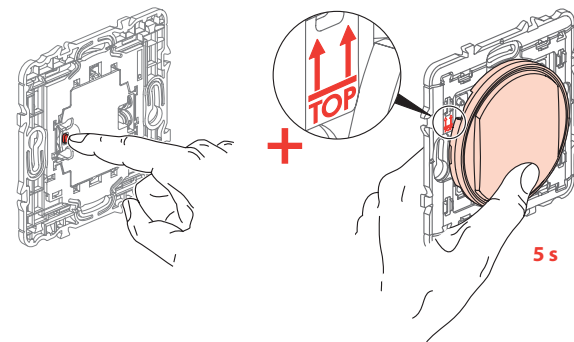


OR



While holding the «setup» button on the wireless, batteryless control, **briefly** press the «ON» or «OFF» button on the wireless batteryless control.

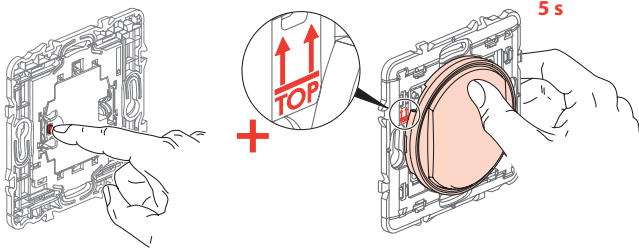
6.2 CHANNEL CHANGE



While holding the «setup» button on the wireless, batteryless control, press the lower button on the wireless batteryless control for 5 seconds.

Details and order of channel changes : **(FACTORY : 11)** 15, 20, 25, 12, 13, 14, 16, 17, 18, 19, 21, 22, 23, 24, 26, 11, 15, 20, ...

6.3 BACK TO FACTORY MODE (DISASSOCIATION + BACK ON CHANNEL 11)



While holding the «setup» button on the wireless, batteryless control, press the UPPER button for 5 seconds. Check that your control is correctly reset by pressing «ON» and then «OFF».

Additional Zigbee documentation is available at «developer.legrand.com».

7. CARE

Clean the surface with a cloth.
 Do not use acetone, tar-removing cleaning agents or trichloroethylene.
 Resistant to the following products: Hexane (EN 60669-1), methylated spirit, soapy water, diluted ammonia, bleach diluted to 10%, window-cleaning products, pre-impregnated wipes.

Caution : Always test before using special cleaning products, a prior test is required

Must not be painted.

8. ACCESSORIES

0 648 71: Repositionable adhesive for wireless control

9. STANDARDS AND APPROVALS

9.1 EU DECLARATION OF CONFORMITY

The undersigned, LEGRAND, declares that the radio-electric equipment type (CB0420 - CN0420 - CT0420 - 0 677 23L/73L/79L - 0 770 53L - 6 000 83L - 5 742 10/39/55 - 5 743 24 - 7 418 13L/43L/73L) complies with directive 2014/53/EU.

The full text of the EU declaration of conformity is available on the following website: www.legrand.com/ecatalogue

9.2 FCC/IC CONFORMITIES



FCC ID: 2ACN8-ZLGP1X IC: 12132A-ZLGP1X MODEL : ZLGP17

This device contains licence-exempt transmitter(s)/receiver(s) that comply with FCC RF and Innovation, Science and Economic Development Canada's licence-exempt RSS(s). Operation is subject to the following two conditions: (1) this device may not cause interference, and (2) This device must accept any interference, including interference that may cause undesired operation of the device.

This device complies with FCC and ISED radiation exposure limits set forth for general population. This device must not be co-located or operating in conjunction with any other antenna or transmitter.

FCC Caution: the user that changes or modifications not expressly approved by the party responsible for compliance could void the user's authority to operate the equipment.

FCC NOTE: This equipment has been tested and found to comply with the limits for a Class B digital device, pursuant to part 15 of the FCC Rules. These limits are designed to provide reasonable protection against harmful interference in a residential installation. This equipment generates, uses and can radiate radio frequency energy and, if not installed and used in accordance with the instruction, may cause harmful interference to radio communications. However, there is no guarantee that interference will not occur in a particular installation. If this equipment does cause harmful interference to radio or television reception which can be determined by turning the equipment off and on, the user is encouraged to try to correct interference by one or more of the following measures:

- Reorient or relocate the receiving antenna.
- Increase the separation between the equipment and receiver.
- Connect the equipment into an outlet on circuit different from that to which the receiver is connected.
- Consult the dealer or an experienced radio/TV technician for help.

9.3 CMIM DECLARATION OF CONFORMITY



The full text of the CMIM declaration of conformity is available on the following website: www.legrand.com/ecatalogue

9.4 UKCA DECLARATION OF CONFORMITY



Only for Arteor range ;
 The full text of the UKCA declaration of conformity is available on the following website: www.legrand.com/ecatalogue

9.5 CONNECTIVITY STANDARDS ALLIANCE'S CERTIFICATION



certified by connectivity standards alliance

Model : ZLGP17