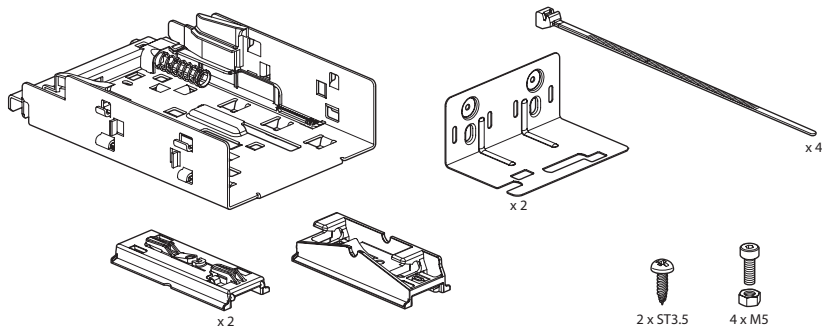


Zero U universal fixing kit

Cat. No(s): 0 321 03



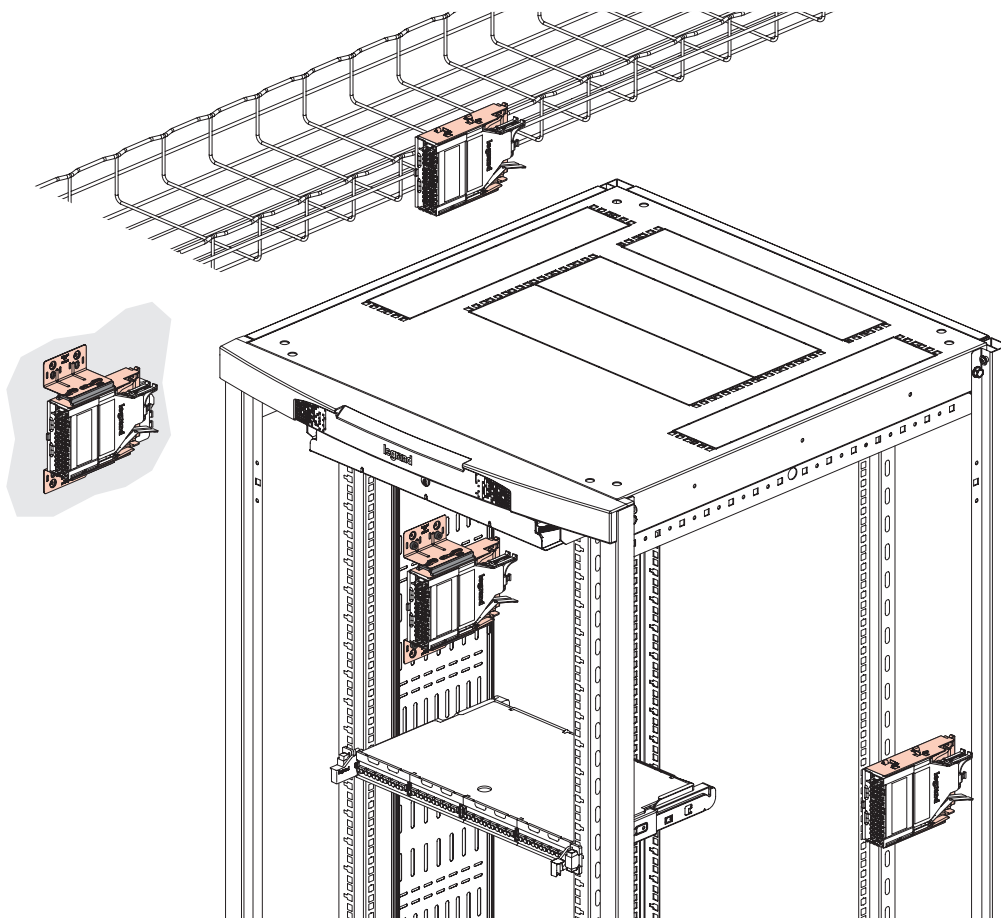
1. USE

Zero U remote patch solution for universal mounting: 19" panel, subfloor, wire and sheet metal cable tray, cabinet structure, etc. Compatible with all high-density fibre optic and copper cassettes in the LCS3 range. The combination with a self-extending cassette allows easy installation and maintenance.

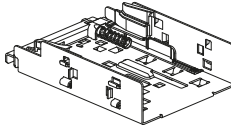
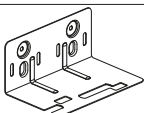



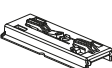

Delivered with its specific accessories for fixing:

- on sheet metal or wire cable tray
- on uprights or bay cable tray
- on the floor or wall

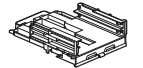



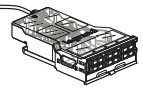
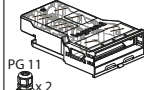



2. POSITIONING



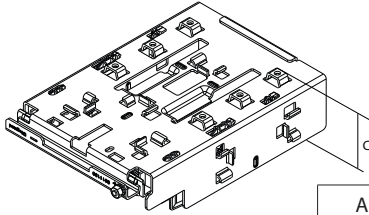
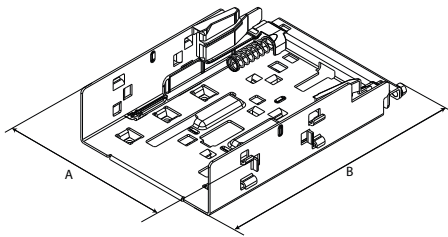
3. KIT CONTENTS (réf : 0 321 03)

 <p>Zero-U cassette holder</p>	 <p>Fixing bracket (x 2)</p>	 <p>Metal screw (2 x ST3.5)</p>
	 <p>Wire mesh rail interface</p>	 <p>Screw + nut (4 x M5)</p>
	 <p>Sheet metal rail interface (x 2)</p>	 <p>Cable tie (x 4) (Cat. No. 0 320 58)</p>

4. RANGE AND SELECTION CHART

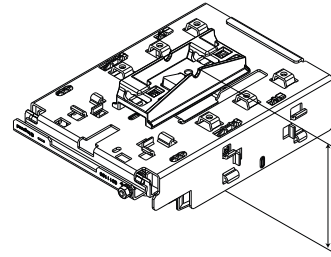
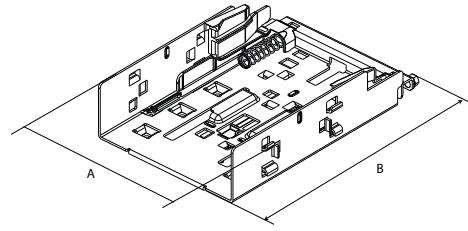
	<p>0 321 38</p> <p>HD holder for slim cassette</p>		
	Slim cassettes		
	<p>0 321 68</p> <p>Slim preterminated cassette (50/125 µm) 12 multimode OM3 FO 12 LC connectors to MTP connector with 12 fibres, universal polarity, Ultra performance</p>		
	<p>0 321 69</p> <p>Preterminated slim cassette (50/125 µm) 12 multimode OM4 FO 12 LC connectors to MTP connector with 12 fibres, universal polarity, Ultra performance</p>		
	<p>0 321 70</p> <p>Preterminated slim cassette (50/125 µm) 12 multimode OS2 FO 12 LC connectors to MTP connector with 12 fibres, universal polarity, Ultra performance</p>		
	<p>HVSL12</p> <p>Preterminated slim cassette (50/125 µm) 12 multimode OM4 FO 12 LC connectors to MTP connector with 12 fibres, universal polarity, Ultra performance</p>		
	<p>0 322 38</p> <p>Preterminated slim cassette (50/125 µm) 12 multimode OM5 FO 12 LC connectors to MTP connector with 12 fibres, universal polarity, Ultra performance</p>		
	<p>"Made-to-order"</p> <p>Other adapter, fibre or polarity type available "made-to-order"</p>		
	<p>*0 321 39</p> <p>*only for Cat. No. 0 321 38</p>		
	MTP cassettes		
	<p>0 321 42</p> <p>Preterminated cassette (50/125 µm) 24 multimode OM4 FO 24 LC connectors to 2 MTP connectors with 12 F, polarity A/C, Ultra performance</p>		
	<p>0 321 44</p> <p>Preterminated cassette (9/125 µm) 24 singlemode OS2 FO 24 LC connectors to 2 MTP connectors with 12 F, polarity A/C, Ultra performance</p>		
	<p>0 321 43</p> <p>Preterminated cassette (50/125 µm) 12 multimode OM4 FO 12 SC connectors to MTP connector with 12 fibres, polarity A/C, Ultra performance</p>		
	<p>0 321 45</p> <p>Preterminated cassette (9/125 µm) 12 singlemode OS2 FO 12 SC connectors to MTP connector with 12 fibres, polarity A/C, Ultra performance</p>		
	<p>0 321 48</p> <p>Preterminated cassette (50/125 µm) 12 multimode OM4 FO 12 LC connectors to 1 MTP connector with 12 F, polarity A/C, Ultra performance</p>		
	<p>0 321 49</p> <p>Preterminated cassette (9/125 µm) 12 singlemode OS2 FO 12 LC connectors to 1 MTP connector with 12 F, polarity A/C, Ultra performance</p>		
	<p>0 321 59</p> <p>Preterminated cassette (50/125 µm) 12 multimode OM4 FO 12 SC connectors to MTP connector with 12 F, universal polarity, Ultra performance</p>		
	<p>0 321 60</p> <p>Preterminated cassette (9/125 µm) 12 singlemode OS2 FO 12 SC connectors to MTP connector with 12 fibres, universal polarity, Ultra performance</p>		
	<p>"Made-to-order"</p> <p>Other adapter, fibre or polarity type available "made-to-order"</p>		
		Spliceable cassettes - supplied with pigtails and blocks	
		<p>0 321 80</p> <p>Spliceable FO cassette 0 321 41 + SC block for 6 multimode fibres 0 321 20 + 6 OM3 SC pigtails 1m 0 322 20</p>	
		<p>0 321 82</p> <p>Spliceable FO cassette 0 321 41 + SC block for 12 multimode fibres 0 321 21 + 12 OM3 SC pigtails 1m 0 322 20</p>	
		<p>0 321 84</p> <p>Spliceable FO cassette 0 321 41 + SC block for 6 singlemode fibres 0 321 10 + 6 OS2 SC pigtails 1m 0 322 41</p>	
<p>0 321 86</p> <p>Spliceable FO cassette 0 321 41 + SC block for 12 singlemode fibres 0 321 11 + 12 OS2 SC pigtails 1m 0 322 41</p>			
<p>0 321 81</p> <p>Spliceable FO cassette 0 321 41 + LC block for 6 multimode fibres 0 321 23 + 6 OM3 LC pigtails 1m 0 322 21</p>			
<p>0 321 83</p> <p>Spliceable FO cassette 0 321 41 + LC block for 12 multimode fibres 0 321 24 + 12 OM3 LC pigtails 1m 0 322 21</p>			
<p>0 321 85</p> <p>Spliceable FO cassette 0 321 41 + LC block for 6 singlemode fibres 0 321 13 + 6 OS2 LC pigtails 1m 0 322 43</p>			
<p>0 321 87</p> <p>Spliceable FO cassette 0 321 41 + LC block for 12 singlemode fibres 0 321 14 + 12 OS2 LC pigtails 1m 0 322 43</p>			
		<p>0 321 41</p> <p>Splice cassette</p>	
		<p>0 321 11</p> <p>SC duplex HD 12 singlemode fibres</p>	
	<p>0 321 21</p> <p>SC duplex HD 12 multimode fibres</p>		
	<p>0 321 10</p> <p>SC duplex 6 singlemode fibres</p>		
	<p>0 321 12</p> <p>SC apc duplex 6 singlemode fibres</p>		
	<p>0 321 20</p> <p>SC duplex 6 multimode fibres</p>		
	<p>0 321 13</p> <p>LC duplex 6 singlemode fibres</p>		
	<p>0 321 23</p> <p>LC duplex 6 multimode fibres</p>		
	<p>0 321 36</p> <p>LC duplex 6 multimode fibres (aqua)</p>		
	<p>0 321 14</p> <p>LC duplex 12 singlemode fibres</p>		
	<p>0 321 16</p> <p>LC apc duplex 12 singlemode fibres</p>		
	<p>0 321 24</p> <p>LC duplex 12 multimode fibres</p>		
	<p>0 321 37</p> <p>LC duplex 12 multimode fibres (aqua)</p>		
	<p>0 322 58</p> <p>LC duplex 12 multimode fibres (lime)</p>		
	<p>HVBL12</p> <p>LC duplex 12 multimode fibres (violet)</p>		
	<p>0 321 15</p> <p>LC duplex HD 24 singlemode fibres</p>		
	<p>0 321 25</p> <p>LC duplex HD 24 multimode fibres</p>		
	<p>0 322 59</p> <p>LC duplex HD 24 multimode fibres (lime)</p>		
	<p>HVBL24</p> <p>LC duplex HD 24 multimode fibres (violet)</p>		
	<p>0 321 17</p> <p>ST for 6 singlemode fibres</p>		
<p>0 321 27</p> <p>ST for 6 multimode fibres</p>			
<p>0 321 33</p> <p>4 MTP adapter, pass-through, singlemode</p>			
<p>0 321 34</p> <p>4 MTP adapter, pass-through, multimode</p>			
<p>"On demand"</p> <p>Other colors</p>			
	<p>0 337 55</p> <p>Copper cassette to be equipped with up to 6 RJ45 Cat. 5e, Cat. 6 and Cat. 6A connectors</p>		
	<p>0 337 95</p> <p>High Density copper cassette to be equipped with up to 12 RJ45 Cat. 5e, Cat. 6 and Cat. 6A connectors</p>		
	<p>0 337 53</p> <p>0 337 63</p> <p>0 337 73</p>	<p>Cat 5e</p> <p>Cat 6</p> <p>Cat 6A</p>	
	<p>0 337 54</p> <p>0 337 64</p>	<p>FTP</p> <p>Cat 5e</p> <p>Cat 6</p>	
	<p>0 337 65</p> <p>0 337 75</p>	<p>STP</p> <p>Cat 6</p> <p>Cat 6A</p>	
	<p>*0 337 85</p>	<p>STP</p> <p>Cat 8</p> <p>*only for Cat. No. 0 337 55</p>	

5. DIMENSIONS (mm)



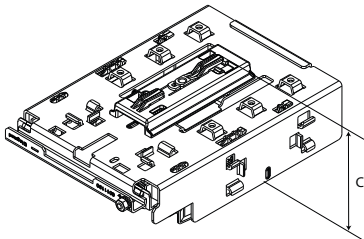
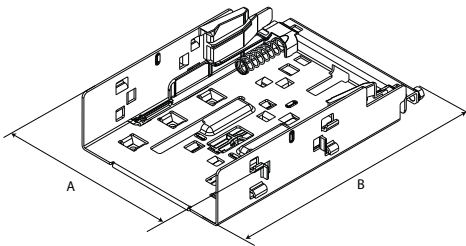
A	B	C
123	179	46

With wire rail interface



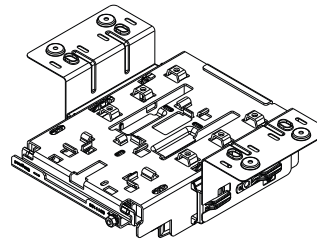
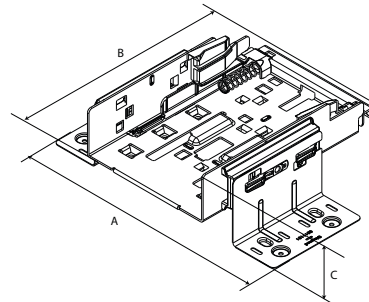
A	B	C
123	179	62

With sheet metal rail interface



A	B	C
123	179	56

With fixing brackets



A	B	C
216	179	64

6. TECHNICAL CHARACTERISTICS

The Zero-U holder can accommodate splice, pre-connected or copper cassettes.

Maximum capacity :

- 24 LC connectors
- 12 SC connectors
- 12 high density RJ45 connectors

Equipped with a mass recovery solution.

Material : - Zero U : Main support : pre-galvanized steel
 Slides (left/right) : ABS - Black (Ral 9017)
 Accessories for wire/sheet metal rail : ABS grey
 Brackets: steel

Zero weight U (with brackets/interface) : 510 g

Operating and storage temperature : -20°C to + 60°C