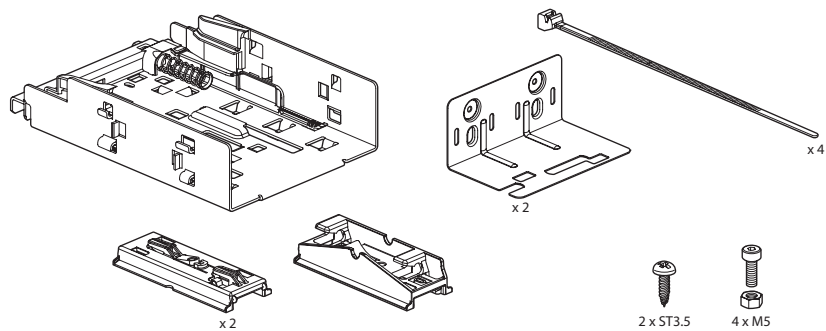


## Zero U universal fixing kit

Cat. No(s): 0 321 03



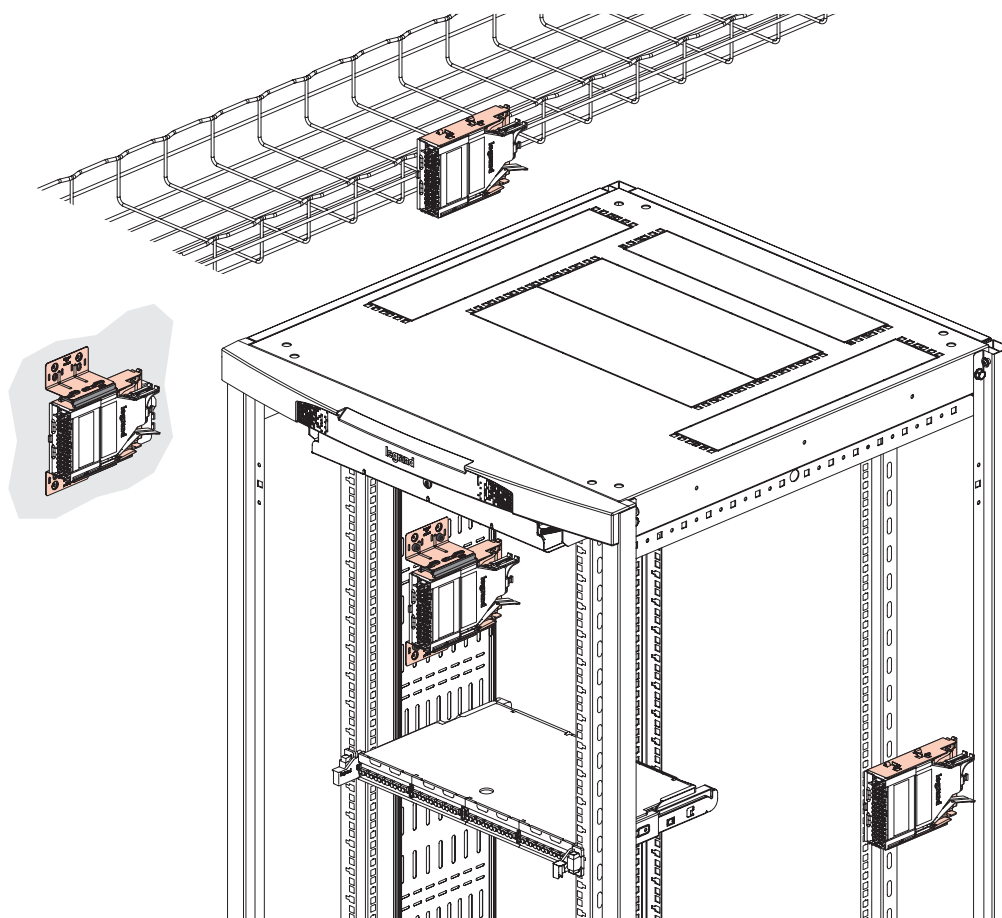
### 1. USE

Zero U remote patch solution for universal mounting: 19" panel, subfloor, wire and sheet metal cable tray, cabinet structure, etc. Compatible with all high-density fibre optic and copper cassettes in the LCS3 range. The combination with a self-extending cassette allows easy installation and maintenance.

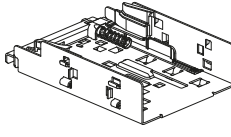
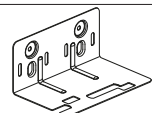



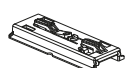

Delivered with its specific accessories for fixing:

- on sheet metal or wire cable tray
- on uprights or bay cable tray
- on the floor or wall

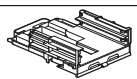


### 2. POSITIONING




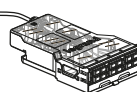
3. KIT CONTENTS (réf : 0 321 03)

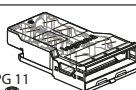
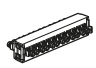
 Zero-U cassette holder	 Fixing bracket (x 2)	 Metal screw (2 x ST3.5)
	 Wire mesh rail interface	 Screw + nut (4 x M5)
	 Sheet metal rail interface (x 2)	 Cable tie (x 4) (Cat. No. 0 320 58)

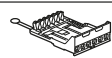
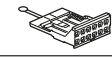

4. RANGE AND SELECTION CHART

	<b>0 321 38</b>	HD holder for slim cassette
		Slim cassettes
	● <b>0 321 68</b>	Slim preterminated cassette (50/125 µm) 12 multimode OM3 FO 12 LC connectors to MTP connector with 12 fibres, universal polarity, Ultra performance
	● <b>0 321 69</b>	Preterminated slim cassette (50/125 µm) 12 multimode OM4 FO 12 LC connectors to MTP connector with 12 fibres, universal polarity, Ultra performance
	● <b>0 321 70</b>	Preterminated slim cassette (50/125 µm) 12 multimode OS2 FO 12 LC connectors to MTP connector with 12 fibres, universal polarity, Ultra performance
	● <b>HVSL12</b>	Preterminated slim cassette (50/125 µm) 12 multimode OM4 FO 12 LC connectors to MTP connector with 12 fibres, universal polarity, Ultra performance
	"Made-to-order"	Other adapter, fibre or polarity type available "made-to-order"
	<b>*0 321 39</b>	*only for Cat. No. 0 321 38

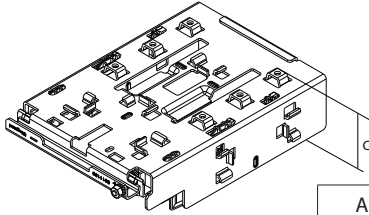
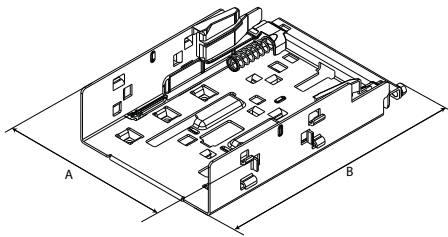
		MTP cassettes
	● <b>0 321 42</b>	Preterminated cassette (50/125 µm) 24 multimode OM4 FO 24 LC connectors to 2 MTP connectors with 12 F, polarity A/C, Ultra performance
	● <b>0 321 44</b>	Preterminated cassette (9/125 µm) 24 singlemode OS2 FO 24 LC connectors to 2 MTP connectors with 12 F, polarity A/C, Ultra performance
	● <b>0 321 43</b>	Preterminated cassette (50/125 µm) 12 multimode OM4 FO 12 SC connectors to MTP connector with 12 fibres, polarity A/C, Ultra performance
	● <b>0 321 45</b>	Preterminated cassette (9/125 µm) 12 singlemode OS2 FO 12 SC connectors to MTP connector with 12 fibres, polarity A/C, Ultra performance
	● <b>0 321 48</b>	Preterminated cassette (50/125 µm) 12 multimode OM4 FO 12 LC connectors to 1 MTP connector with 12 F, polarity A/C, Ultra performance
	● <b>0 321 49</b>	Preterminated cassette (9/125 µm) 12 singlemode OS2 FO 12 LC connectors to 1 MTP connector with 12 F, polarity A/C, Ultra performance
	● <b>0 321 59</b>	Preterminated cassette (50/125 µm) 12 multimode OM4 FO 12 SC connectors to MTP connector with 12 F, universal polarity, Ultra performance
	● <b>0 321 60</b>	Preterminated cassette (9/125 µm) 12 singlemode OS2 FO 12 SC connectors to MTP connector with 12 fibres, universal polarity, Ultra performance
	"Made-to-order"	Other adapter, fibre or polarity type available "made-to-order"

		Spliceable cassettes - supplied with pigtails and blocks
	● <b>0 321 80</b>	Spliceable FO cassette 0 321 41 + SC block for 6 multimode fibres 0 321 20 + 6 OM3 SC pigtails 1m 0 322 20
	● <b>0 321 82</b>	Spliceable FO cassette 0 321 41 + SC block for 12 multimode fibres 0 321 21 + 12 OM3 SC pigtails 1m 0 322 20
	● <b>0 321 84</b>	Spliceable FO cassette 0 321 41 + SC block for 6 singlemode fibres 0 321 10 + 6 OS2 SC pigtails 1m 0 322 41
	● <b>0 321 86</b>	Spliceable FO cassette 0 321 41 + SC block for 12 singlemode fibres 0 321 11 + 12 OS2 SC pigtails 1m 0 322 41
	● <b>0 321 81</b>	Spliceable FO cassette 0 321 41 + LC block for 6 multimode fibres 0 321 23 + 6 OM3 LC pigtails 1m 0 322 21
	● <b>0 321 83</b>	Spliceable FO cassette 0 321 41 + LC block for 12 multimode fibres 0 321 24 + 12 OM3 LC pigtails 1m 0 322 21
	● <b>0 321 85</b>	Spliceable FO cassette 0 321 41 + LC block for 6 singlemode fibres 0 321 13 + 6 OS2 LC pigtails 1m 0 322 43
	● <b>0 321 87</b>	Spliceable FO cassette 0 321 41 + LC block for 12 singlemode fibres 0 321 14 + 12 OS2 LC pigtails 1m 0 322 43

 PG 11 x 2	<b>0 321 41</b>	Spliceable fibre optic cassette: takes any modular fibre optic block; supplied with 2 PG 11 cable glands
		Blocks for spliceable cassettes
	● <b>0 321 11</b>	HD SC duplex for 12 singlemode fibres
	● <b>0 321 21</b>	HD SC duplex for 12 multimode fibres
	● <b>0 321 10</b>	SC duplex for 6 singlemode fibres
	● <b>0 321 12</b>	SC APC duplex for 6 singlemode fibres
	● <b>0 321 20</b>	SC duplex for 6 multimode fibres
	● <b>0 321 13</b>	LC duplex for 6 singlemode fibres
	● <b>0 321 23</b>	LC duplex for 6 multimode fibres
	● <b>0 321 36</b>	LC duplex for 6 multimode fibres (aqua)
	● <b>0 321 14</b>	LC duplex for 12 singlemode fibres
	● <b>0 321 16</b>	LC APC duplex for 12 singlemode fibres
	● <b>0 321 24</b>	LC duplex for 12 multimode fibres
	● <b>0 321 37</b>	LC duplex for 12 multimode fibres (aqua)
	● <b>HVBL12</b>	LC duplex for 12 multimode fibres (violet)
	● <b>0 321 15</b>	HD LC duplex for 24 singlemode fibres
	● <b>0 321 25</b>	HD LC duplex for 24 multimode fibres
● <b>HVBL24</b>	HD LC duplex for 24 multi. fibres (violet)	
● <b>0 321 17</b>	ST for 6 singlemode fibres	
● <b>0 321 27</b>	ST for 6 multimode fibres	
● <b>0 321 33</b>	4 adapter, feedthrough, singlemode MTPs	
● <b>0 321 34</b>	4 adapter, feedthrough, multimode MTPs	
● <b>0 321 18</b>	8 adapter, feedthrough, multimode MTPs	
● <b>0 321 19</b>	8 adapter, feedthrough, singlemode MTPs	
"Made-to-order"	OM5 or other colours	

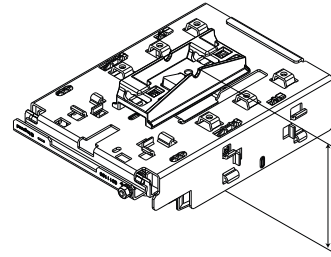
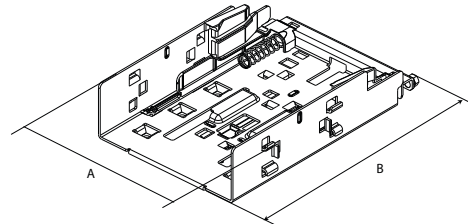
	<b>0 337 55</b>	Copper cassette to be equipped with up to 6 RJ45 Cat. 5e, Cat. 6 and Cat. 6A connectors
	<b>0 337 95</b>	High Density copper cassette to be equipped with up to 12 RJ45 Cat. 5e, Cat. 6 and Cat. 6A connectors
	<b>0 337 53</b>	Cat 5e
	<b>0 337 63</b>	Cat 6
	<b>0 337 73</b>	Cat 6A
	<b>0 337 54</b>	Cat 5e
	<b>0 337 64</b>	Cat 6
	<b>0 337 65</b>	STP Cat 6
	<b>0 337 75</b>	STP Cat 6A
	<b>*0 337 85</b>	STP Cat 8 *only for Cat. No. 0 337 55

## 5. DIMENSIONS (mm)



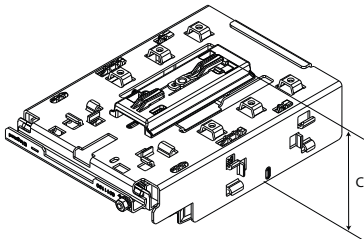
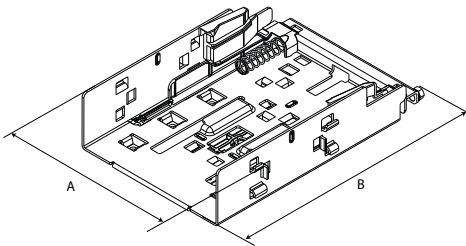
A	B	C
123	179	46

## With wire rail interface



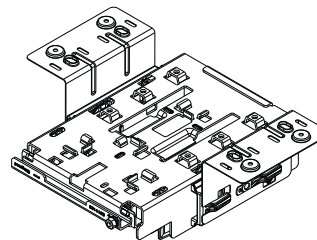
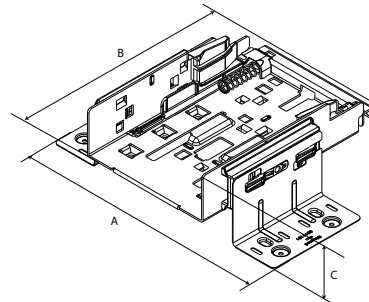
A	B	C
123	179	62

## With sheet metal rail interface



A	B	C
123	179	56

## With fixing brackets



A	B	C
216	179	64

## 6. TECHNICAL CHARACTERISTICS

The Zero-U holder can accommodate splice, pre-connected or copper cassettes.

Maximum capacity :

- 24 LC connectors
- 12 SC connectors
- 12 high density RJ45 connectors

Equipped with a mass recovery solution.

Material : - Zero U : Main support : pre-galvanized steel  
 Slides (left/right) : ABS - Black (Ral 9017)  
 Accessories for wire/sheet metal rail : ABS grey  
 Brackets: steel

Zero weight U (with brackets/interface) : 510 g

Operating and storage temperature : -20°C to + 60°C