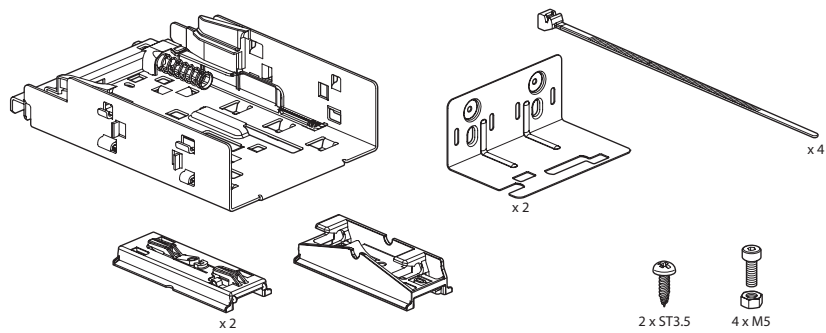


Zero U universal fixing kit

Cat. No(s): 0 321 03



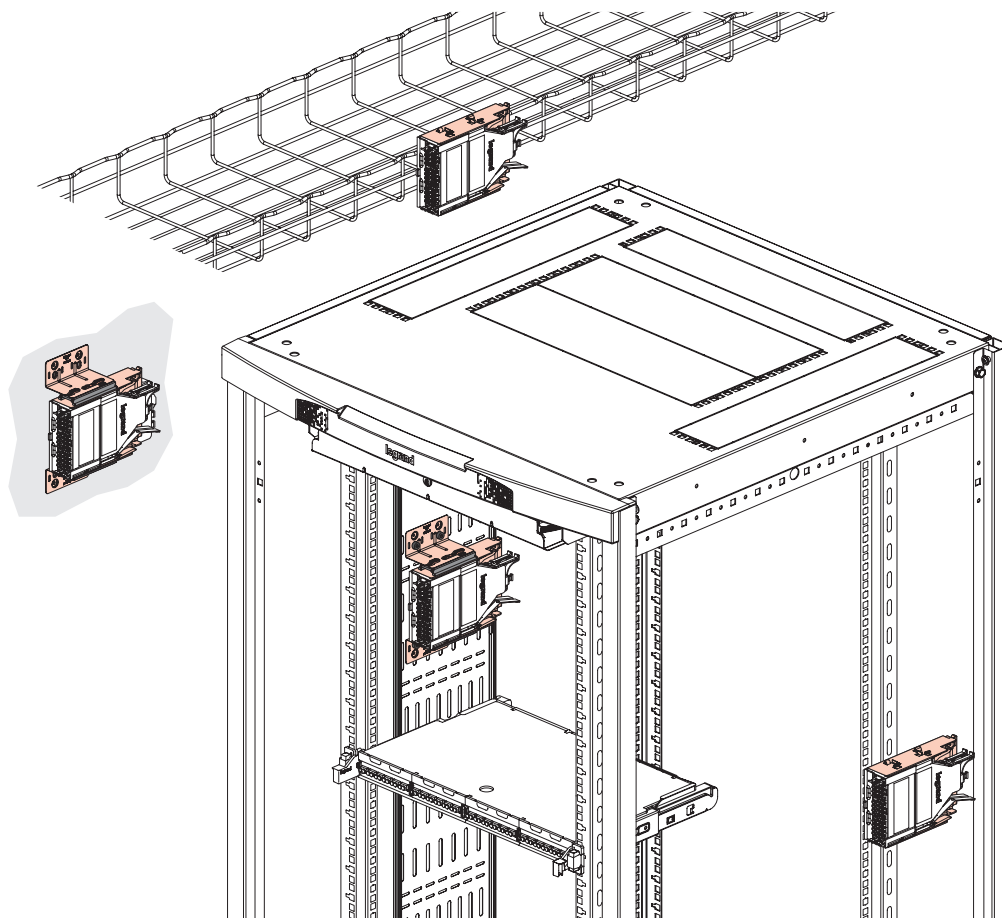
1. USE

Zero U remote patch solution for universal mounting: 19" panel, subfloor, wire and sheet metal cable tray, cabinet structure, etc. Compatible with all high-density fibre optic and copper cassettes in the LCS3 range. The combination with a self-extending cassette allows easy installation and maintenance.

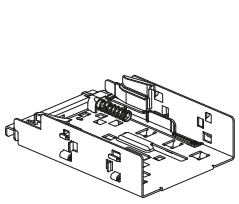
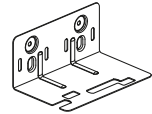

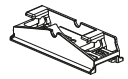

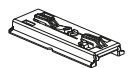

Delivered with its specific accessories for fixing:

- on sheet metal or wire cable tray
- on uprights or bay cable tray
- on the floor or wall

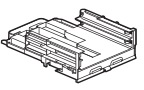


2. POSITIONING

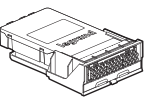


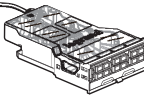
3. KIT CONTENTS (réf : 0 321 03)

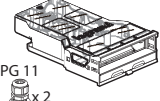
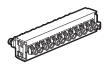
 <p>Zero-U cassette holder</p>		Fixing bracket (x 2)		Metal screw (2 x ST3.5)
		Wire mesh rail interface		Screw + nut (4 x M5)
		Sheet metal rail interface (x 2)		Cable tie (x 4) (Cat. No. 0 320 58)







4. RANGE AND SELECTION CHART

	0 321 38	HD support for slim cassettes
	● 0 321 68	Slim cassette 12 LC MTP OM3 universal
	● 0 321 69	Slim cassette 12 LC MTP OM4 universal
	● 0 321 70	Slim cassette 12 LC MTP OS2 universal
	"On demand"	Other adaptor type, fiber or polarity available "On demand"
	*0 321 39	Blank panel slim cassette HD support *Only for ref. 0 321 38

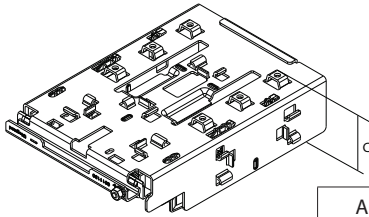
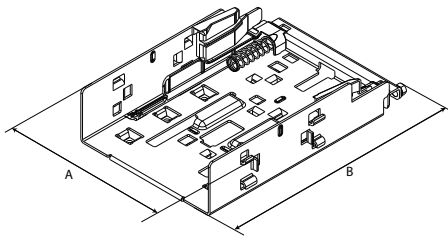
	● 0 321 42	24 LC multimode MTP cassette A/C
	● 0 321 44	24 LC singlemode MTP cassette A/C
	● 0 321 43	12 SC multimode MTP cassette A/C
	● 0 321 45	12 SC singlemode MTP cassette A/C
	● 0 321 48	12 LC multimode MTP cassette A/C
	● 0 321 49	12 LC singlemode MTP cassette A/C
	● 0 321 59	Cassette 12 SC MTP OM4 universal
	● 0 321 60	Cassette 12 SC MTP OS2 universal
"On demand"	Other adaptor type, fiber or polarity available "On demand"	

	● 0 321 80	6 SC multimode cassette
	● 0 321 82	12 SC multimode cassette
	● 0 321 84	6 SC singlemode cassette
	● 0 321 86	12 SC singlemode cassette
	● 0 321 81	6 LC multimode cassette
	● 0 321 83	12 LC multimode cassette
	● 0 321 85	6 LC singlemode cassette
	● 0 321 87	12 LC singlemode cassette

	0 321 41	Splice cassette
	● 0 321 11	SC duplex HD for 12 singlemode fibres
	● 0 321 21	SC duplex HD for 12 multimode fibres
	● 0 321 10	SC duplex for 6 singlemode fibres
	● 0 321 12	SC APC duplex for 6 singlemode fibres
	● 0 321 20	SC duplex for 6 multimode fibres
	● 0 321 13	LC duplex for 6 singlemode fibres
	● 0 321 23	LC duplex for 6 multimode fibres
	● 0 321 36	LC duplex for 6 multimode fibres (aqua)
	● 0 321 14	LC duplex for 12 singlemode fibres
	● 0 321 16	LC APC duplex for 12 singlemode fibres
	● 0 321 24	LC duplex for 12 multimode fibres
	● 0 321 37	LC duplex for 12 multimode fibres (aqua)
	● 0 321 15	LC duplex HD for 24 singlemode fibres
	● 0 321 25	LC duplex HD for 24 multimode fibres
	● 0 321 17	ST for 6 singlemode fibres
	● 0 321 27	ST for 6 multimode fibres
● 0 321 33	4 MTP adapter, pass-through, singlemode	
● 0 321 34	4 MTP adapter, pass-through, multimode	
● 0 321 18	8 MTP adapter, pass-through, multimode	
● 0 321 19	8 MTP adapter, pass-through, singlemode	
"On demand"	OM5 or other colors	

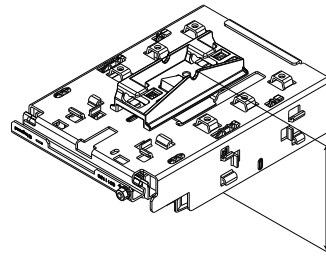
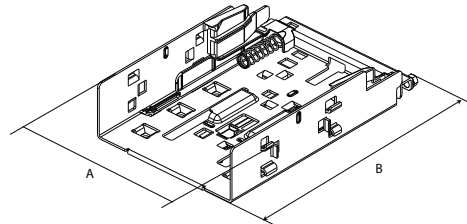
	0 337 55	Cassette 6 RJ45 to equipped
	0 337 95	Cassette HD 12 RJ45 to equipped
	0 337 53	Cat 5e
	0 337 63	Cat 6
	0 337 73	Cat 6A
	0 337 54	FTP
	0 337 64	Cat 5e
	0 337 65	Cat 6
	0 337 75	Cat 6A
	0 337 65	Cat 6
	*0 337 85	Cat 8 *Only for ref. 0 337 55

5. DIMENSIONS (mm)



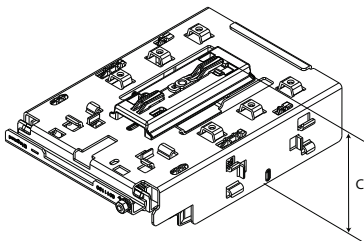
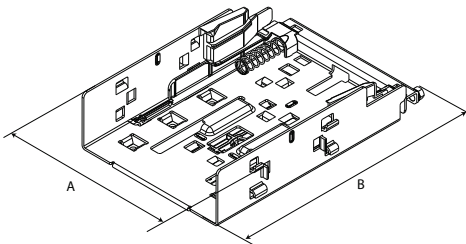
A	B	C
123	179	46

With wire rail interface



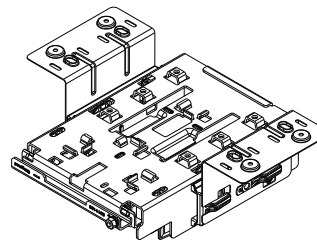
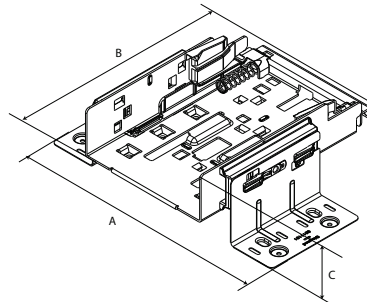
A	B	C
123	179	62

With sheet metal rail interface



A	B	C
123	179	56

With fixing brackets



A	B	C
216	179	64

6. TECHNICAL CHARACTERISTICS

The Zero-U holder can accommodate splice, pre-connected or copper cassettes.

Maximum capacity :

- 24 LC connectors
- 12 SC connectors
- 12 high density RJ45 connectors

Equipped with a mass recovery solution.

Material : - Zero U : Main support : pre-galvanized steel
 Slides (left/right) : ABS - Black (Ral 9017)
 Accessories for wire/sheet metal rail : ABS grey
 Brackets: steel

Zero weight U (with brackets/interface) : 510 g
 Operating and storage temperature : -20°C to + 60°C