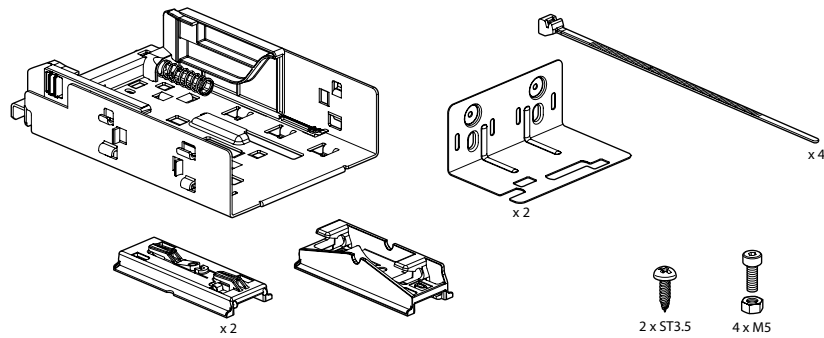


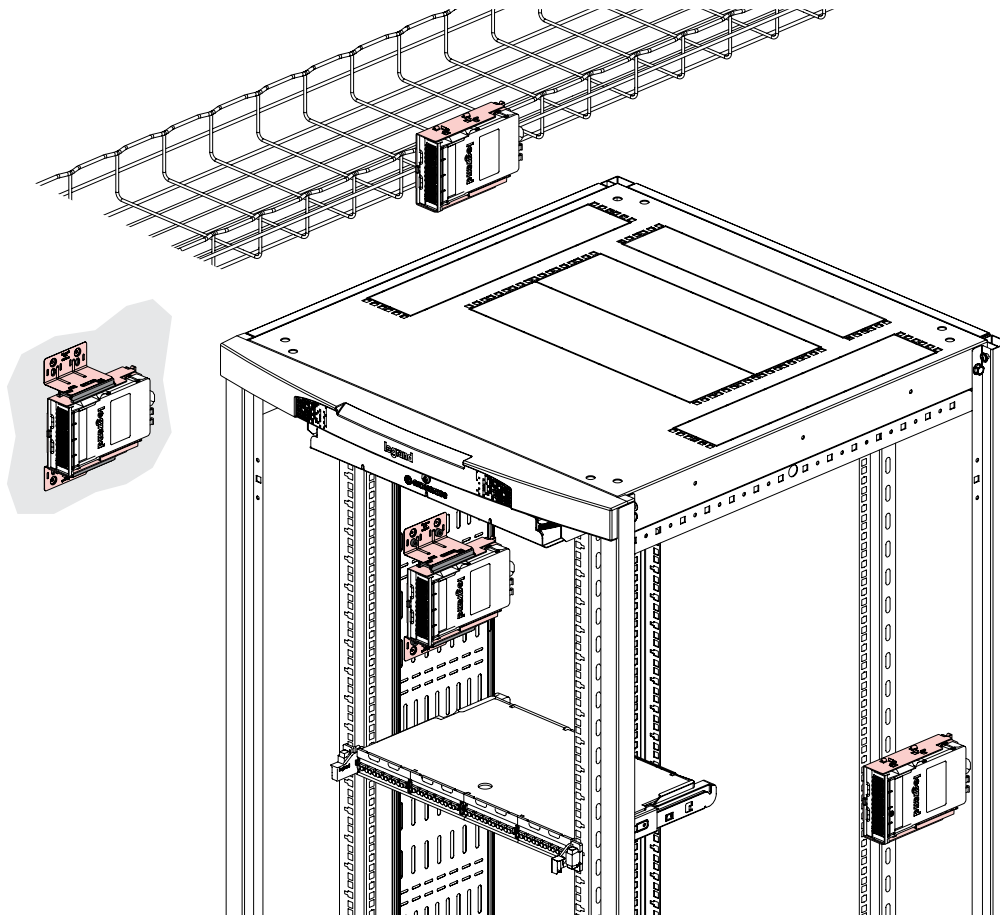
Zero U universal fixing kit

Cat. No(s): 0 321 07

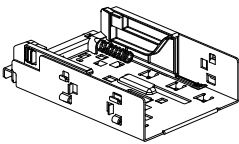
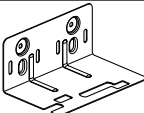

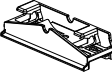

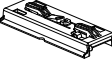

**1. USE**

Zero-U cassette holder to be equipped with an automatically removable cassette.

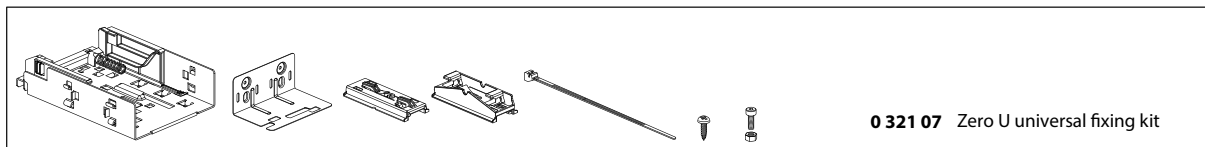
Supplied with its dedicated accessories for fixing on a sheet metal or wire mesh cable tray, and for universal fixing on uprights or cable tray in a freestanding enclosure. Compatible with cassettes with preterminated or spliceable fibres equipped with fibre optic units and with high density copper cassettes to be equipped with connectors. Equipped with earthing solution.


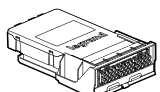
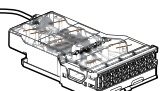
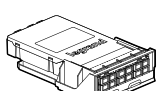
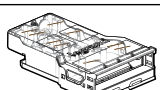
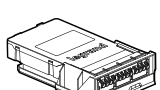
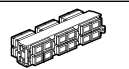

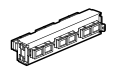
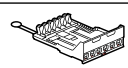
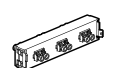
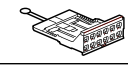

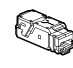


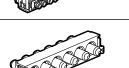

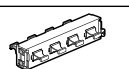

2. POSITIONING

3. KIT CONTENTS (Cat. No. 0 321 07)

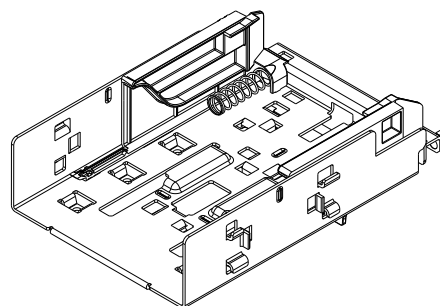
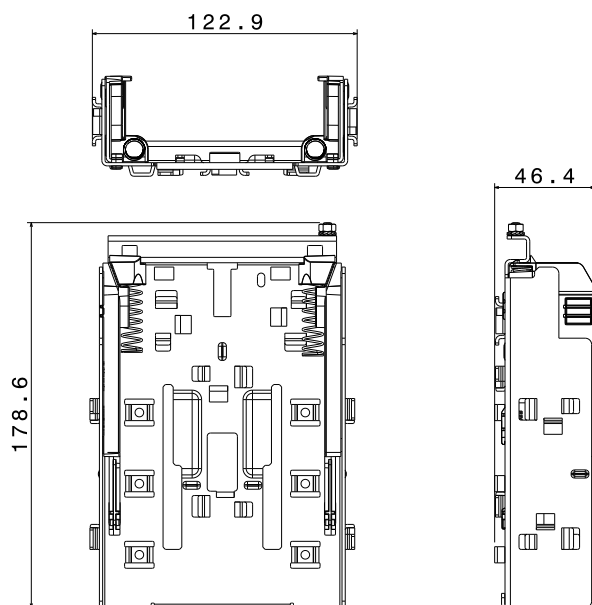
 Zero-U cassette holder		Fixing bracket (x 2)		Metal screw (2 x ST3.5)
		Wire mesh rail interface		Screw + nut (4 x M5)
		Sheet metal rail interface (x 2)		Cable tie (x 4) (Cat. No. 0 320 58)

4. RANGE AND SELECTION CHART

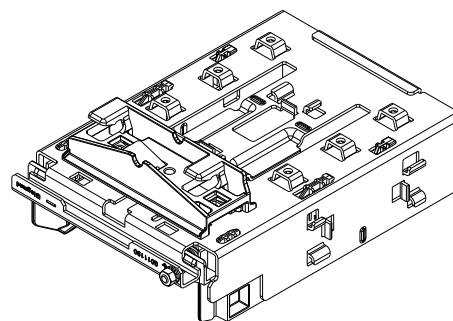
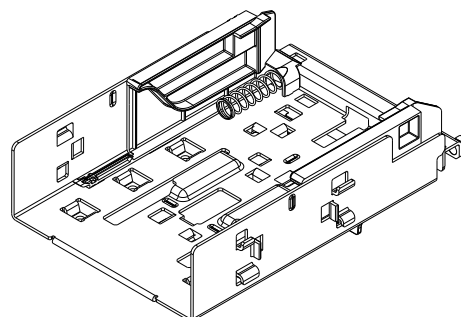
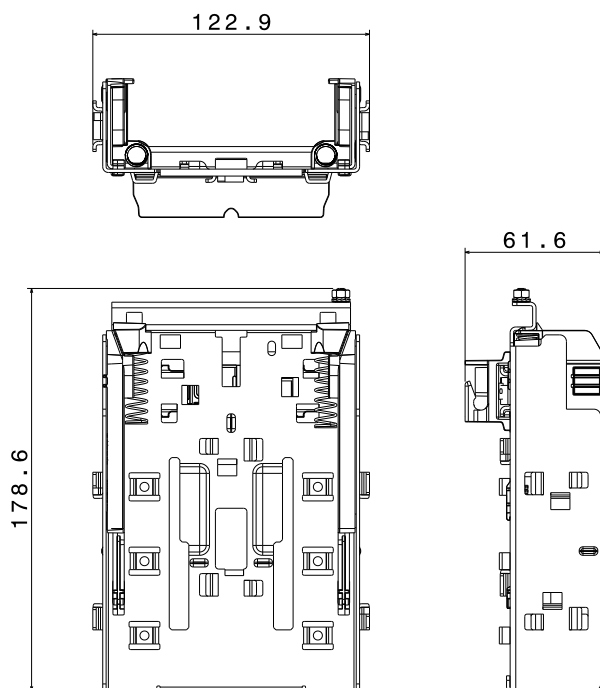


	<ul style="list-style-type: none"> ● 0 321 80 6 SC multimode cassette ● 0 321 82 12 SC multimode cassette ● 0 321 84 6 SC singlemode cassette ● 0 321 86 12 SC singlemode cassette 			<ul style="list-style-type: none"> ● 0 321 42 24 LC multimode MTP cassette ● 0 321 44 24 LC singlemode MTP cassette
	<ul style="list-style-type: none"> ● 0 321 81 6 LC multimode cassette ● 0 321 83 12 LC multimode cassette ● 0 321 85 6 LC singlemode cassette ● 0 321 87 12 LC singlemode cassette 			<ul style="list-style-type: none"> ● 0 321 43 12 SC multimode MTP cassette ● 0 321 45 12 SC singlemode MTP cassette
	<ul style="list-style-type: none"> ● 0 321 41 Splice cassette 			<ul style="list-style-type: none"> ● 0 321 48 12 LC multimode MTP cassette ● 0 321 49 12 LC singlemode MTP cassette
	<ul style="list-style-type: none"> ● 0 321 11 SC duplex HD for 12 singlemode fibres ● 0 321 21 SC duplex HD for 12 multimode fibres 			Made-to-order
	<ul style="list-style-type: none"> ● 0 321 10 SC duplex for 6 singlemode fibres ● 0 321 12 SC APC duplex for 6 singlemode fibres ● 0 321 20 SC duplex for 6 multimode fibres 			<ul style="list-style-type: none"> ● 0 337 55 Cassette to be equipped with 6 RJ45 connectors
	<ul style="list-style-type: none"> ● 0 321 13 LC duplex for 6 singlemode fibres ● 0 321 23 LC duplex for 6 multimode fibres ● 0 321 36 LC duplex for 6 multimode fibres (aqua) 			<ul style="list-style-type: none"> ● 0 337 95 HD cassette to be equipped with 12 RJ45 connectors
	<ul style="list-style-type: none"> ● 0 321 14 LC duplex for 12 singlemode fibres ● 0 321 16 LC APC duplex for 12 singlemode fibres ● 0 321 24 LC duplex for 12 multimode fibres ● 0 321 37 LC duplex for 12 multimode fibres (aqua) 			<ul style="list-style-type: none"> ● 0 337 53 UTP Cat. 5e ● 0 337 63 UTP Cat. 6 ● 0 337 73 UTP Cat. 6A
	<ul style="list-style-type: none"> ● 0 321 15 LC duplex HD for 24 singlemode fibres ● 0 321 25 LC duplex HD for 24 multimode fibres 			<ul style="list-style-type: none"> ● 0 337 54 FTP Cat. 5e ● 0 337 64 FTP Cat. 6
	<ul style="list-style-type: none"> ● 0 321 17 ST for 6 singlemode fibres ● 0 321 27 ST for 6 multimode fibres 			<ul style="list-style-type: none"> ● 0 337 65 STP Cat. 6 ● 0 337 75 STP Cat. 6A
	<ul style="list-style-type: none"> ● 0 321 33 4 MTP adaptor, feedthrough, singlemode ● 0 321 34 4 MTP adaptor, feedthrough, multimode 			<ul style="list-style-type: none"> ● *0 337 85 STP Cat. 8 <p>*Only for Cat. No. 0 337 55</p>

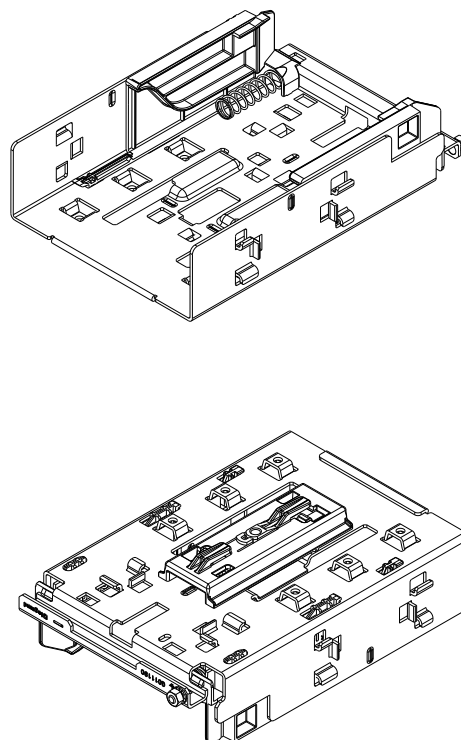
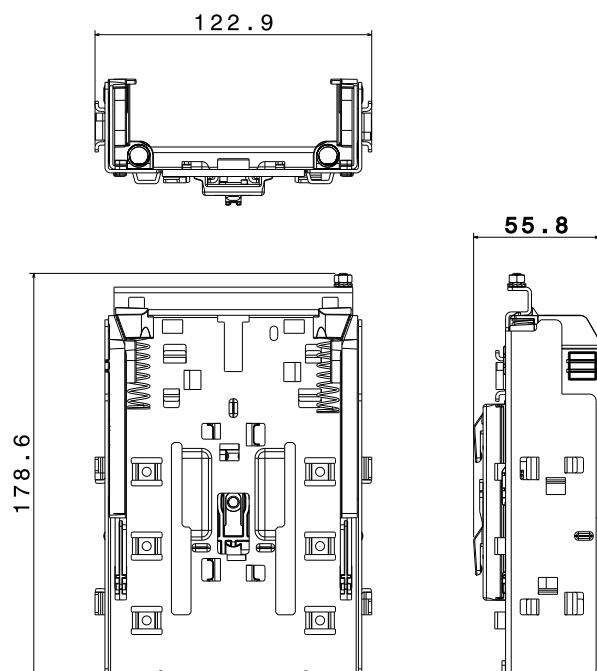
5. DIMENSIONS (mm)



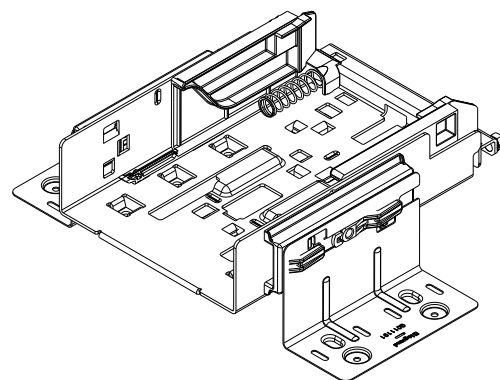
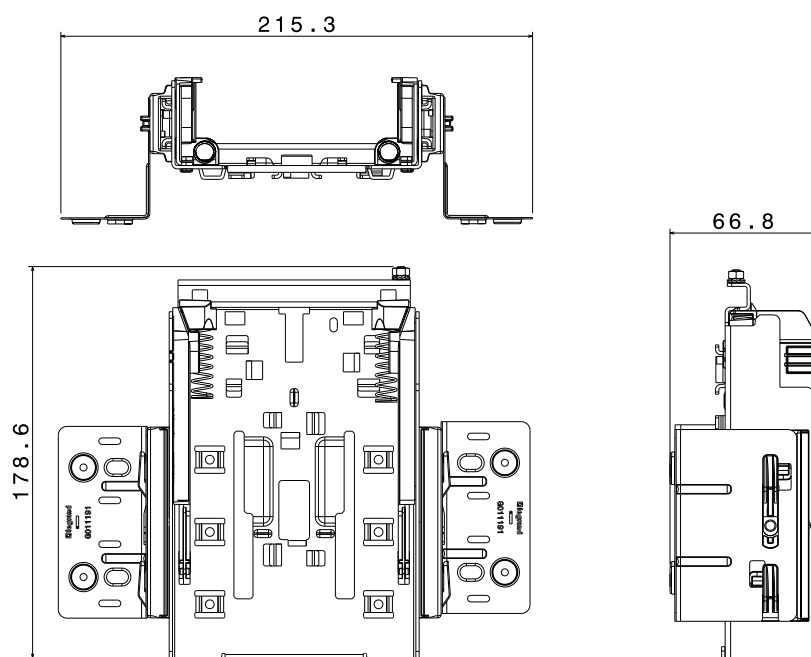
With wire mesh rail interface



With sheet metal rail interface



With fixing brackets



6. TECHNICAL CHARACTERISTICS

The Zero-U holder can take spliceable, preterminated or copper cassettes

Maximum capacity:

- 24 LC connectors
- 12 SC connectors
- 12 high density RJ45 connectors

Storage temperature: -10°C to 60°C