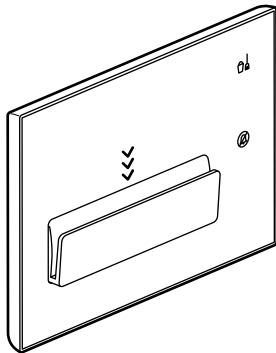


## RFID keycard reader BUS/SCS

Cat. No(s): 0 487 71/81  
 FL4648/48W/58



CONTENTS	Page
1. Description.....	1
2. Technical characteristics.....	1
3. Standards, certifications and markings.....	1
4. Dimensions.....	1
5. Wiring.....	2
6. Installation.....	2
7. Configured version Cat. No. 0 487 81/FL4658... 3	

### 1. DESCRIPTION

This is an RFID keycard reader (13.56 MHz) located at the entrance to the room which can, by inserting an RFID keycard in the appropriate slot:

- indicate someone is in the room
- trigger a "welcome" scenario

And by removing it:

- indicate no one is in the room
- trigger a "goodbye" scenario

It indicates and can be used to activate the housekeeping information:

- Do Not Disturb
- Make Up Room
- Extra service, for example picking up laundry (only available on configured version)

The card position is indicated by arrows (illuminated flashing path).

It has a proximity sensor which can be disabled by configuration: when the device detects an approach, it switches from standby state to active state. The LED brightness level (on standby or active) can also be set by configuration.

It can be configured using the MyHOME\_Suite software, which can be downloaded from the website [www.homesystems-legrandgroup.com](http://www.homesystems-legrandgroup.com).

It can also be used for IP installations which include controller 0 484 08/12, and can be configured with the Hotel Room Configuration Software available on the website [www.legrandoc.com](http://www.legrandoc.com).

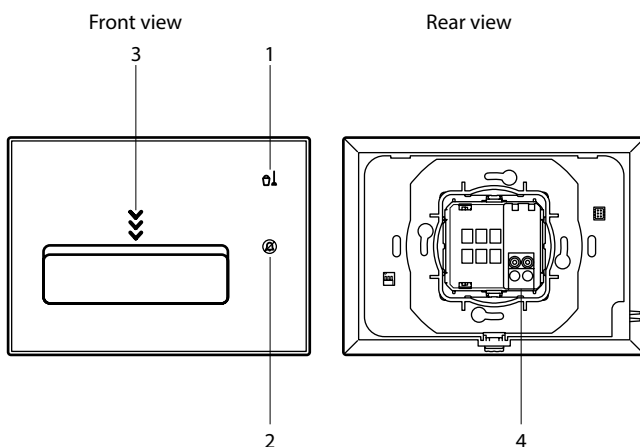
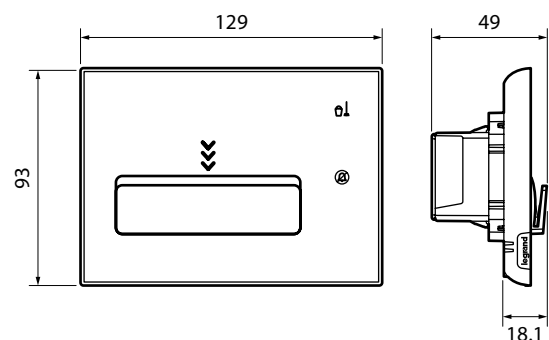
### 2. TECHNICAL CHARACTERISTICS

BUS/SCS power supply:	18 - 27 VDC
Standby consumption:	12 mA
On-load consumption:	25 mA
RFID frequency:	13.56 Mhz
Operating temperature:	0°C to +40°C
Storage temperature:	-20°C to +70°C
Protection index:	IP 20, IK 04
Plate and surround colour:	Black Cat. No. 0 487 71/FL4648 or white Cat. No. FL4648W

### 3. STANDARDS, CERTIFICATIONS AND MARKINGS

EN 60669-2-5  
 CE marked

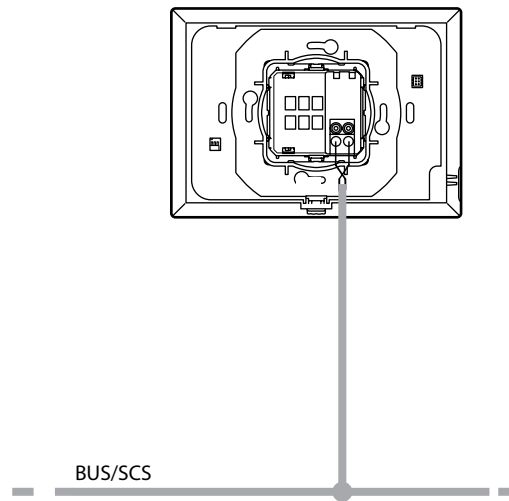
### 4. DIMENSIONS



#### Key

1. MUR indicator (green LED on = MAKE UP ROOM)
2. DND indicator (red LED on = DO NOT DISTURB)
3. Keycard slot indicator
4. BUS/SCS plug-in connector

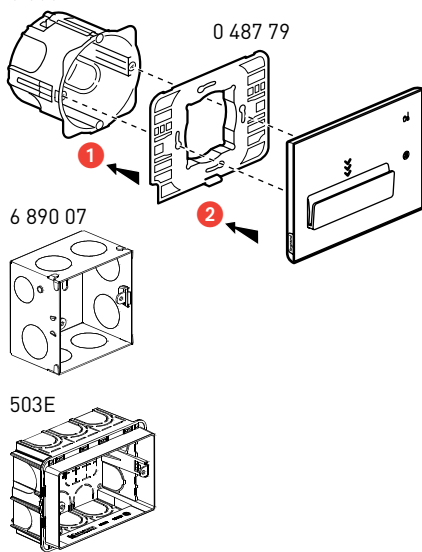
5. CABLING



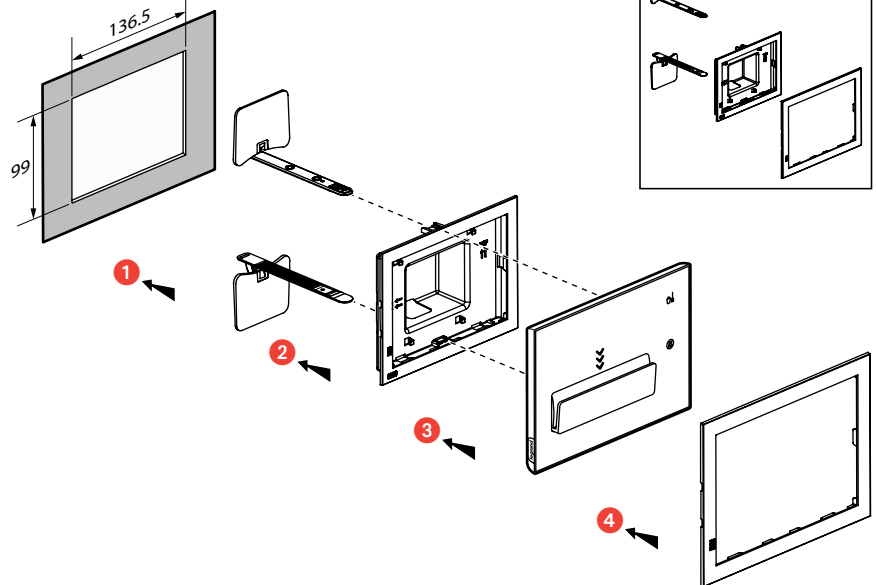
6. INSTALLATION

Surface-mounted installation

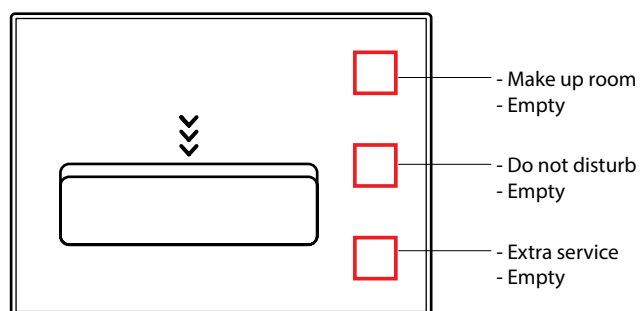
0 800 41



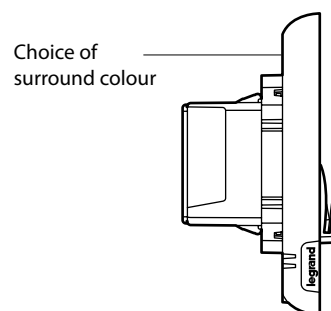
With accessory Cat. No. 0 487 88



**7. CONFIGURED VERSION CAT. NO. 0 487 81/FL4658**



Choice of plate colour



Options (predefined position):  
- Hotel logo  
- Flush-mounted version

The configurator is available on the following website: [www.uxforupscalehotel.legrand.com](http://www.uxforupscalehotel.legrand.com).  
The list of pictogram and colour options (plate and surround) can be accessed via the configurator.