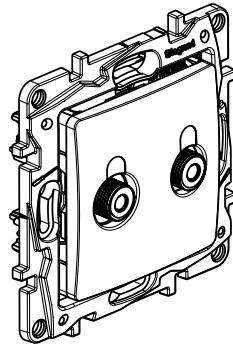


**Niloe™**  
**Cable operator sockets**

Cat. Nos: 6 647 66 - 6 648 66



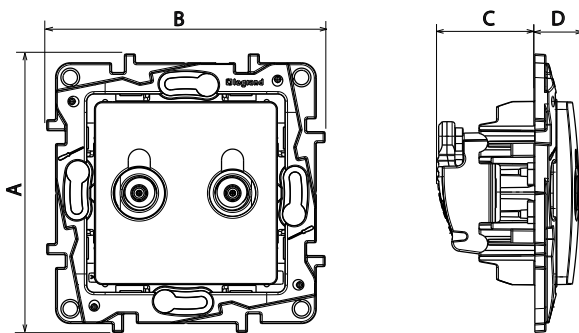
**1. USE**

Sockets for cable networks  
 Female "F" screw-type double sockets. Single cable entry  
 Provide access to the television and multimedia services (internet, telephone) provided by cable operators  
 Class A shielding - Star wiring  
 Recommended cable 17/19 VATC

**2. RANGE**

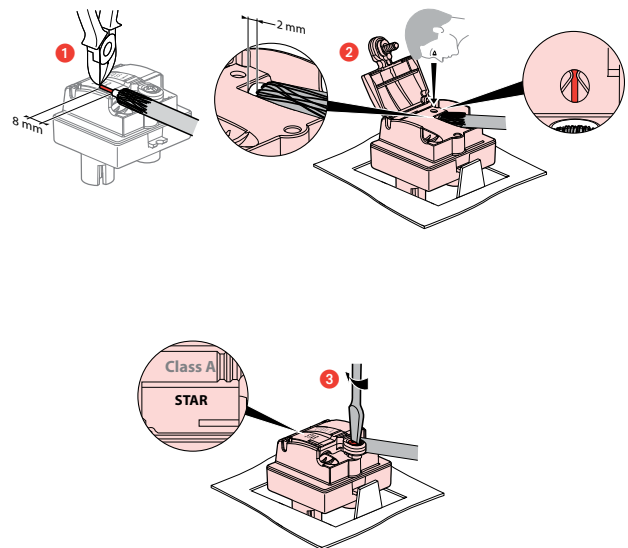
Item	Colour		No. of modules
	White	Ivory	
Female F screw-type socket for cable networks	6 647 66	6 648 66	2

**3. DIMENSIONS (mm)**

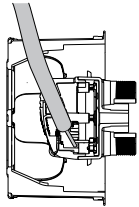
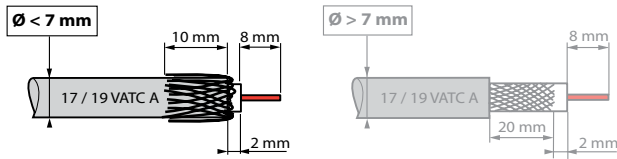


Cat. No.	A	B	C	D
6 647 66 - 6 648 66	75.8	75.8	26.5	13.3

**4. CONNECTION**



**5. WIRING PRECAUTIONS**



Connection from the rear of the socket reduces deformation of the coaxial cable, avoiding the risk of impedance loss and impaired performance.

**6. TECHNICAL CHARACTERISTICS**

■ **6.1 Mechanical characteristics**

Protection against solid bodies and liquids: IP 21  
Protection against impact: IK 04  
Cable strength 120 N: IEC 61169-24

■ **6.2 Material characteristics**

- Material:**
- Cover plate: ABS
  - Zero halogen
  - UV resistant
- Motor:**
- Casing: Zamac
  - Cover: Zamac
  - Pin: Bronze
  - Screws: Zinc-plated steel

■ **6.3 Electrical characteristics**

- Female "F" screw-type connector
- Characteristic impedance: 75 ohms

Class A shielding efficiency (class A shielding is necessary to prevent interference from 3G and 4G phone signals, as these undesirable signals can cause pixellation of on-screen images or distort soundtracks)

- Frequency bands: 1-862 MHz
- Return channel

■ **6.4 Climate characteristics**

Storage and operating temperature: -5 °C to +35 °C

**7. CLEANING**

Clean the surface with a cloth.  
Do not use acetone, tar-removing cleaning agents or trichloroethylene.

Resistant to the following products: hexane (EN 60669-1), methylated spirit, soapy water, diluted ammonia, bleach diluted to 10%, window-cleaning products, pre-impregnated wipes.

**Caution:** Always test before using special cleaning products.

**8. STANDARDS AND APPROVALS**

- EN 50083-2/EN 50083-4
- UTE C 90-125
- Complies with the requirements of AFORM (the French association of multi-service network operators)
- Class A certificate



**9. PERFORMANCE**

