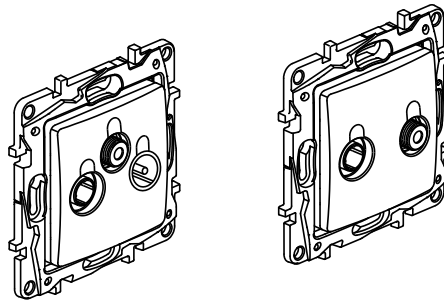


Niloe™ TV/SAT - TV/R/SAT passthrough and terminal sockets

Cat. Nos: 6 645 57/58/64/65 - 6 646 57/58/64/65



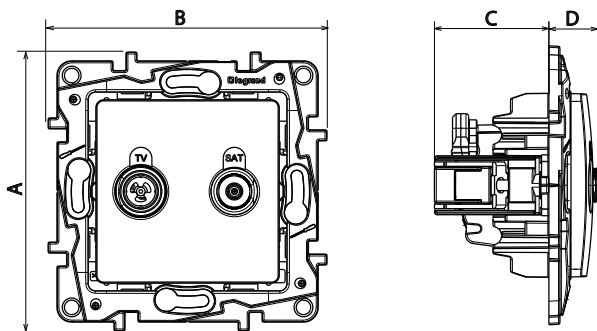
1. USE

TV/SAT: For receiving TV and satellite signals
 TV/R/SAT: For receiving TV, radio and satellite signals
 UHD compatible
 Class A shielding - Tap-off wiring
 Recommended cable 17/19 VATC

2. RANGE

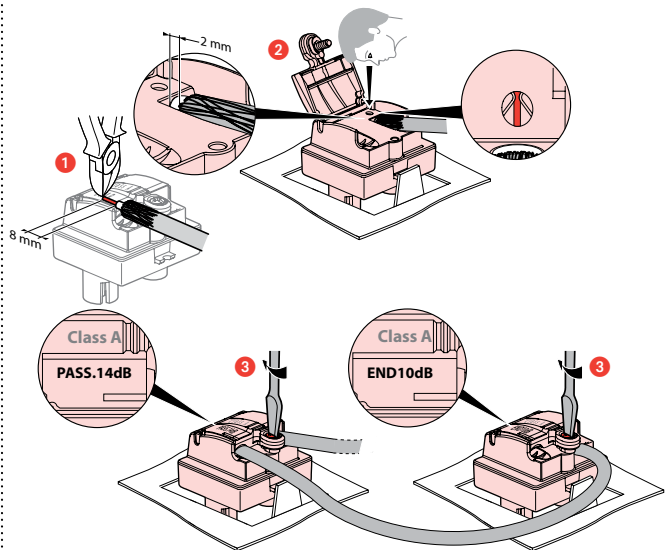
Item	Colour		No. of modules
	White	Ivory	
14 dB TV/R/SAT passthrough socket	6 645 64	6 646 64	2
10 dB TV/R/SAT terminal socket	6 645 65	6 646 65	
14 dB TV/SAT passthrough socket	6 645 57	6 646 57	2
10 dB TV/SAT terminal socket	6 645 58	6 646 58	

3. DIMENSIONS (mm)

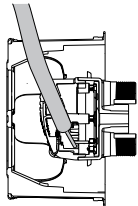
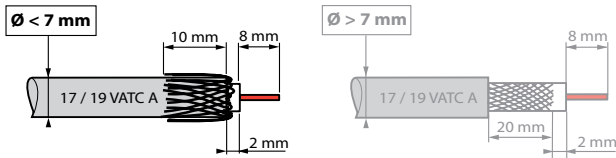


Cat. Nos	A	B	C	D
6 645 57/58/64/65 - 6 646 57/58/64/65	75.8	75.8	31	13

4. CONNECTION



5. WIRING PRECAUTIONS



Connection from the rear of the socket reduces deformation of the coaxial cable, thus avoiding the risk of impedance loss and impaired performance.

6. TECHNICAL CHARACTERISTICS

6.1 Mechanical characteristics

- Protection against solid bodies and liquids: IP 21
- Protection against impact: IK 04
- Cable strength 120 N: IEC 61169-24

6.2 Material characteristics

- Material:**
- Cover plate: ABS
 - Zero halogen
 - UV resistant
- Motor:**
- Casing: Zamac
 - Cover: Zamac
 - Pin: Bronze
 - Screws: Zinc-plated steel

6.3 Electrical characteristics

- Male connector \varnothing 9.52 mm (TV)
- Female connector (radio)
- Female F screw-type connector (SAT)
- Characteristic impedance: 75 ohm

Class A shielding efficiency (class A shielding is necessary to prevent interference from 3G and 4G phone signals, as these undesirable signals can cause pixellation of on-screen images or distort soundtracks)

- Frequency bands:
- TV: 5-68/120-862 MHz
 - R: 87.5-108 MHz
 - SAT: 950-2400 MHz

- Insulation resistance: IEC 61169-24

6.4 Climate characteristics

Storage and operating temperature: -5 °C to +35 °C

7. CLEANING

Clean the surface with a cloth.
 Do not use acetone, tar-removing cleaning agents or trichloroethylene.
 Resistant to the following products: hexane (EN 60669-1), methylated spirit, soapy water, diluted ammonia, bleach diluted to 10%, window-cleaning products, pre-impregnated wipes.

Caution: Always test before using special cleaning products.

8. STANDARDS AND APPROVALS

- EN 50083-2
- Class A certificate

TV/R/SAT



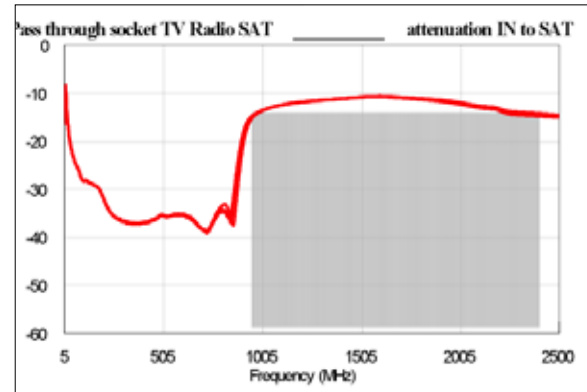
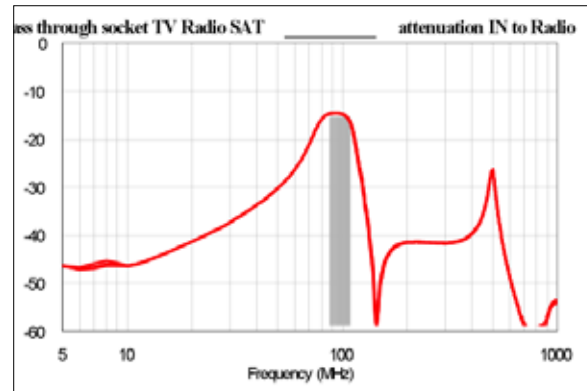
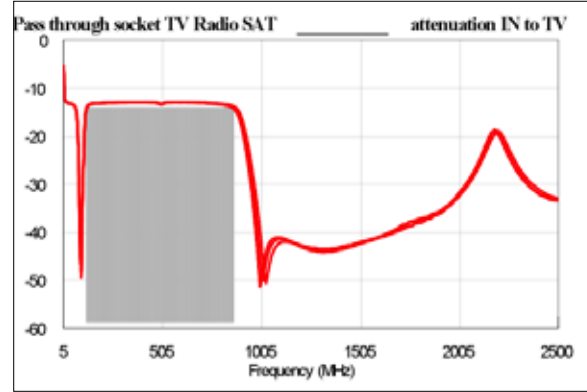
8. STANDARDS AND APPROVALS (continued)

TV/SAT



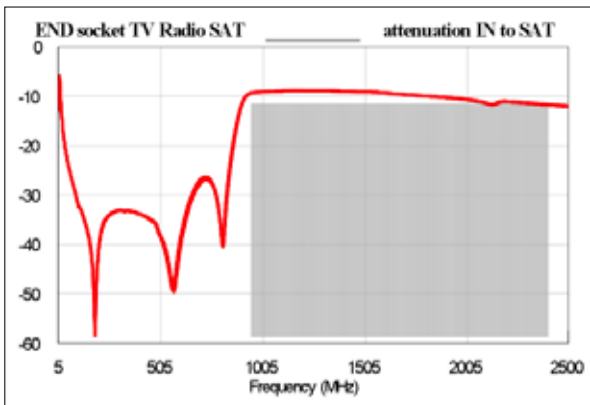
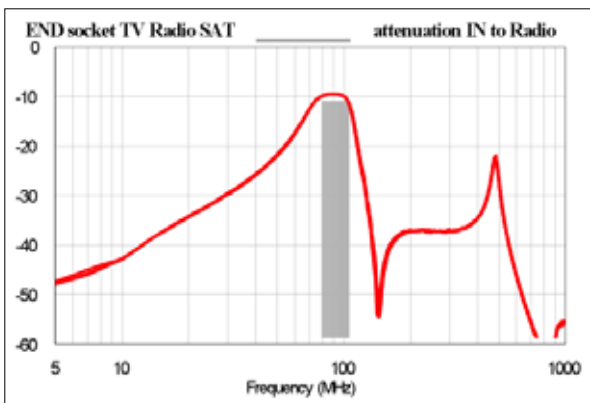
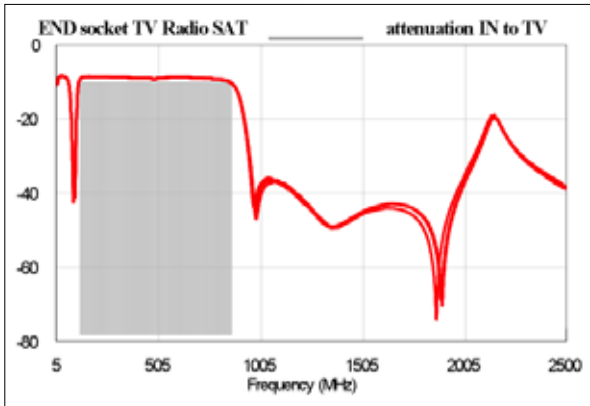
9. PERFORMANCE

TV/R/SAT



9. PERFORMANCE

TV/R/SAT



9. PERFORMANCE

TV/SAT

