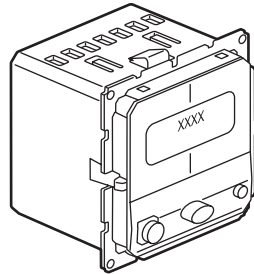


Céliane™

1-zone sound system with bluetooth module

Cat. No(s): 0 673 08



1. USE

System used a musical source from a smartphone or any other bluetooth peripheral, **except PC**, via bluetooth or a jack input and play it via a wired connection on a 4/8 or 16 Ω loudspeaker.

Stereo or mono output.

Stereo 2 x 1 W

Compatibles with loudspeakers: 1 W/16 Ω
 1.5 W/8 Ω
 2.5 W/4 Ω

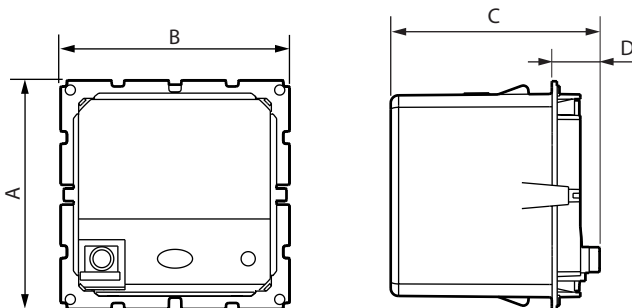
Screw and/or claw mounting.

Installation in a Batibox box, depth 50 mm recommended.

2. RANGE

Description	Cat. No
System equipped with an auxiliary input (3.5 mm Ø jack) for connecting an MP3 player without bluetooth. Possibility of using an app. such as Tuneln Radio to listen to any internet radio directly via a smartphone connected to the bluetooth receiver. The app is available for Android and iOS. Supplied with mounted dust protection transparent shield.	0 673 08

3. DIMENSIONS (mm)



A	B	C	D
45	45	41.5	9.5

4. CONNECTION

Type of terminals: cage

Terminal capacity: 2 x 1.5 mm²

Stripping length: 6 mm

Screwdriver: flat 3 mm

5. TECHNICAL CHARACTERISTICS

■ 5.1 Mechanical characteristics

Protection against impact: IK 04

Protection against solid bodies and liquids: IP 20

■ 5.2 Material characteristics

Material: - Mechanism casing: PC RAL 7016

- Buttons: Silicone RAL 7038

Halogen free

Self-extinguishing:

850° C / 30 s for insulating parts holding live parts in place.

650° C / 30 s for other parts made of insulating materials.

■ 5.3 Electrical characteristics

Power: 15 V[~]

Consumption: min. 4.5 A / max. 100 mA

Maximum distance: Bluetooth (A2DP): 10 m

■ 5.4 Climate characteristics

Storage temperature: - 10° C to + 70° C

Use temperature: + 5° C to + 45° C

6. PAIRING

Bluetooth ID:

Each module is identified by a code (www): this number allows each user to distinguish between different modules that can co-exist in the same installation.

A self-adhesive label is supplied with each product and can be attached to the front panel, or possibly stuck on a hotel key or card reader, etc.

LED indicators:

- Flashing blue LED: waiting to connect to bluetooth mode

- Fixed blue LED: module connected to bluetooth device

- Red LED: external connection

Operation:

- Press for 4 seconds: ON position

- Flashing blue LED: 1 minute to connect

- To pair devices, select bluetooth mode on your smartphone, tablet, etc.

- Choose the ID code (KINGBT-xxxx) and confirm

- Select your music programme, the volume, play, pause functions, etc.

- Once the connection is established the blue LED becomes steady.

1-zone sound system with bluetooth module

7. CLEANING

Surface cleaning with a cloth.

Do not use: acetone, tar remover, trichloroethylene.

8. STANDARDS AND APPROVALS

Compliant with installation and manufacturing standards.

See e-catalogue.