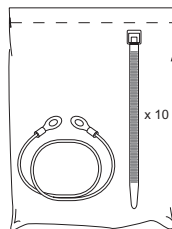
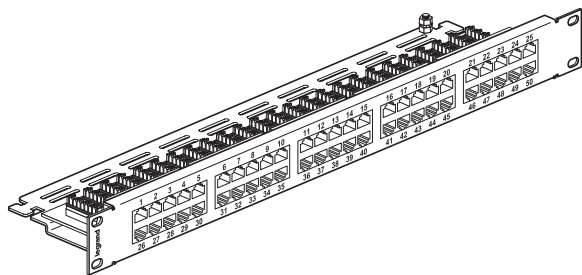


Patch panel 50 RJ45 110 connect

Catalogue number(s): 0 335 79



CONTENTS

Page

1. Use	1
2. Overall dimensions.....	1
3. Technical characteristics.....	1
4. Installation.....	1
5. Standards and approvals	1

1. USE

The panels ensure that RJ 45 sockets are available for phone lines (cat 3)

They allow one type of connections:

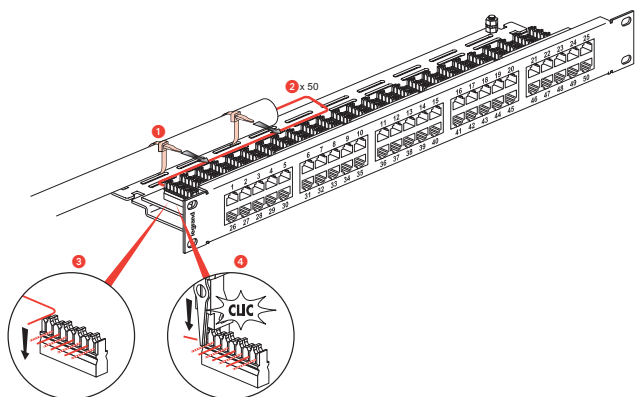
- Digital telephone contacts 3-6 / 4-5

The panel is supplied with :

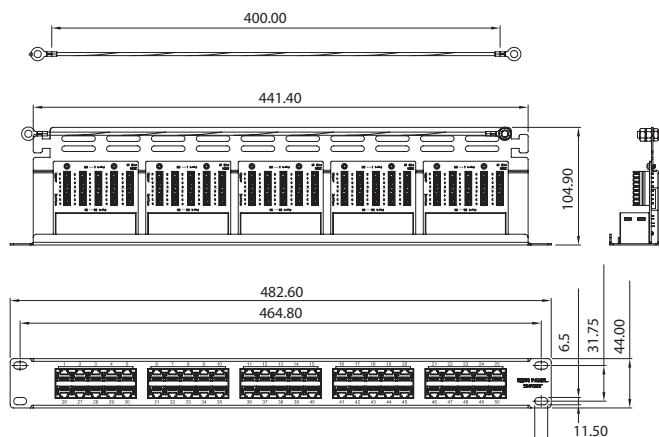
- 4 universal cage nuts

Weight (g) : 1 190 g

The connectors are installed from the back side with the specific tools (0 332 60)



2. OVERALL DIMENSIONS



3. TECHNICAL CHARACTERISTICS

■ 3.1 Electrical characteristics

Panel :

Materiel	Electrogalvanised steel - Black RAL 9005
Thickness	1,2 mm mini
Dimension	1 U
Fixing	19" standard
Ports quantity	50 RJ45 ports
IDC compatibility	Suitable for 22-26 AWG stranded and solid wire
	110 & Krone punch down tools

Connectors:

- Contacts: gold/nickel, thickness of gold > 0.15 µm min.
- Metal parts: bronze, nickel, platinum, gold
- PBT polycarbonate

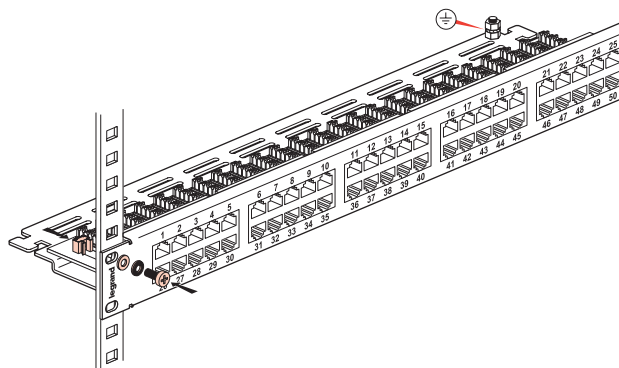
■ 3.2 Mechanical characteristics

Endurance : 750 movements (plug insertion/withdrawal)

■ 3.3 Climatic characteristics

Operating temperature: -10°C to +60°C

4. INSTALLATION



5. STANDARDS AND APPROVALS

International Standard	IEC 60603-7-4
	ISO/IEC 11801
US Standard	ANSI/TIA 568 C.2
	UL94
Compliant to	ROHS and REACH