



Sfera Display Module

User and installation manual

bticino



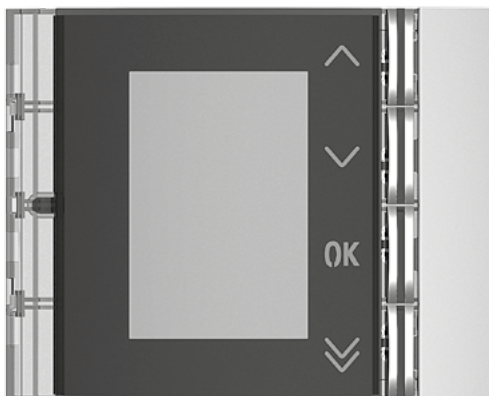
Contents

General information	4
Warnings and recommendations	5
Regulatory warnings	5
Front view	6
Back view	7
Installation	8
Mounting	8
Disassembling	12
Configuration using the keypad	14
Access to the Settings menu	14
Configuration	15
Password	15
Address Book format	16
Language	17
Multiple Call	17
Tune setup	18
Screen	18
LCD Setup	21
Brightness - Contrast	21
ECO Mode	21
Riser base address	22
Door codes	22
Set n. digit	22
Set	23
Cancel	23
Address book – Alphanumeric mode	24
Enter	25
Modify	26
Delete contact	26
Delete all	27
Address book – Numeric BFA mode	28
Modify	29
Enter	30
Delete contact	31
Delete all	31
Configuration using the software	32
The TiSferaDesign software	32
Connection to the PC	32
Using the display module	33
Alphanumeric mode call	33
Numeric BFA mode call	34
Keypad module call	35

General information

The Sfera Display Module must be used only on BTicino 2 wires digital systems, paired with the audio or video speaker modules.

Devices of the BTicino Sfera series require attractive/functional finishes; BTicino proposes the Sfera New line in 3 colours and the Robur anti-vandal line.



Sfera New 352501/02/03 front cover



Sfera Robur 352505 front cover

Warnings and recommendations

It is important to read this manual carefully before proceeding with the installation. The warranty becomes automatically void in case of negligence, improper use, tampering by unauthorised personnel.

Regulatory warnings



Read carefully before use and keep for future reference



Touching the units with wet hands is forbidden
Using liquid cleaners or aerosols is forbidden
Blocking the ventilation openings is forbidden
Modifying the devices is forbidden
Removing protective parts from the devices is forbidden
Installing the units near liquids and powders is forbidden
Installing the units near heat sources is forbidden
Installing the units near harmful gases, metal dusts or similar is forbidden
Fastening the units on unsuitable surfaces is forbidden

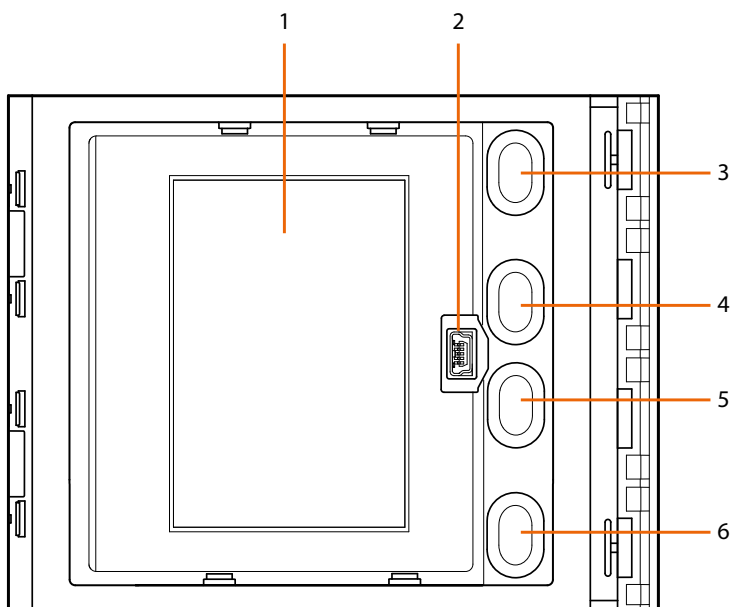


Risk of devices falling because the surface on which they are installed collapses or inappropriate installation
Switch the power supply OFF before any work on the system



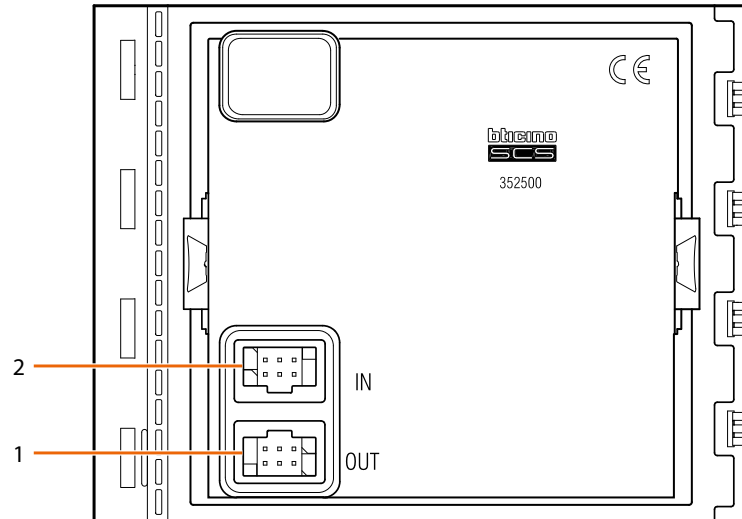
Caution: Installation, configuration, starting-up and maintenance must be performed exclusively by qualified personnel.
Check that the wall installation has been carried out correctly
Lay out the wires respecting the standards in force
Connect the power supply wires as indicated
Use only the items indicated in the technical specifications for any system expansions

Front view



- 1. Graphic display
- 2. Mini_USB connector for configuration using the software (recommended), residents' address book programming, and firmware update
- 3. Residents names scroll pushbutton ▲
- 4. Residents names scroll pushbutton ▼
- 5. Confirmation pushbutton – call forwarding **OK**
- 6. Quick scroll pushbutton ▼

Back view



1. Connector for the connection to subsequent modules

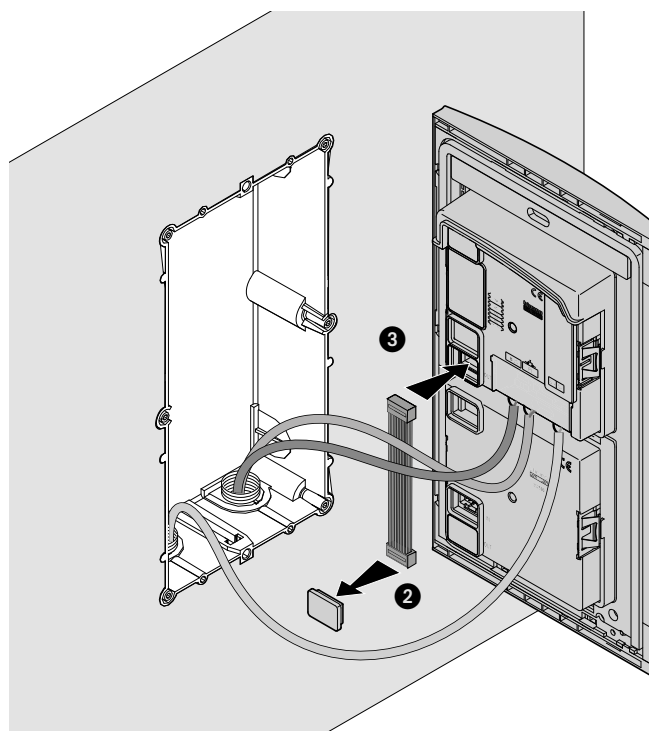
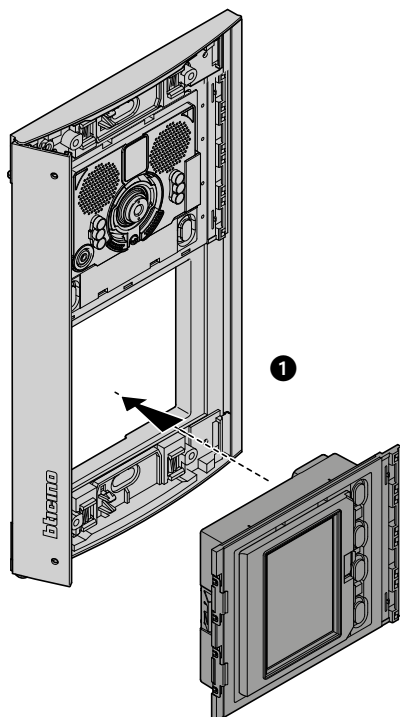
2. Connector for the connection to previous modules

Installation

Mounting

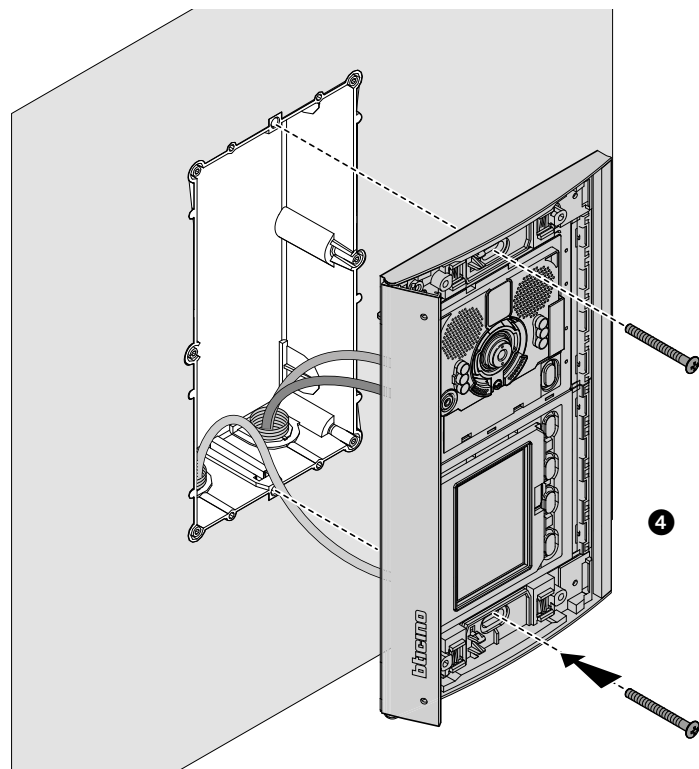
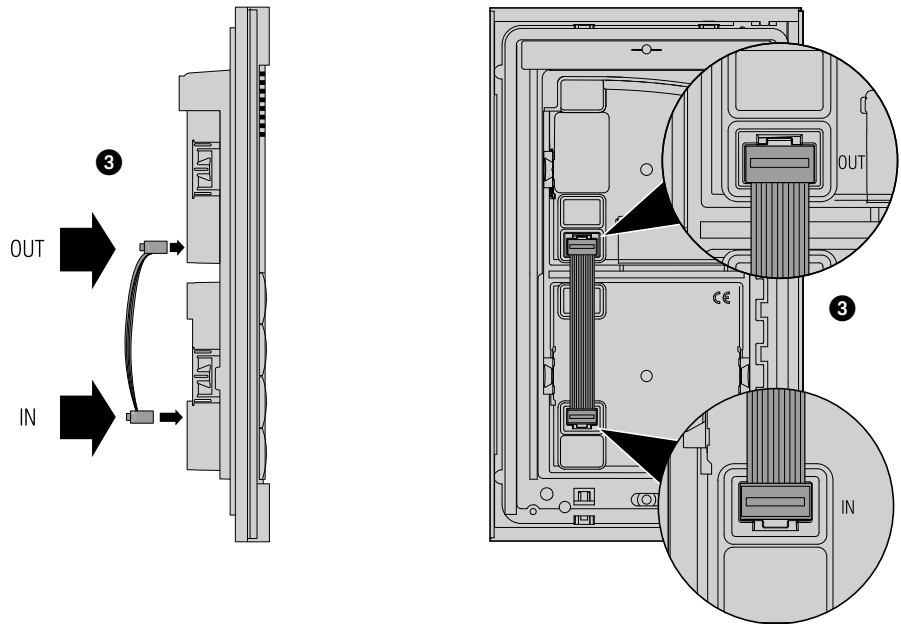


Caution: installation, configuration, starting-up and maintenance must be performed exclusively by qualified personnel.



Sfera Display Module

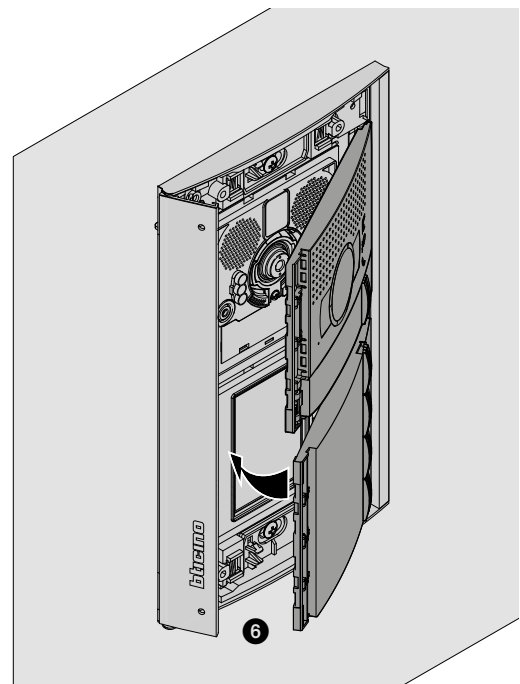
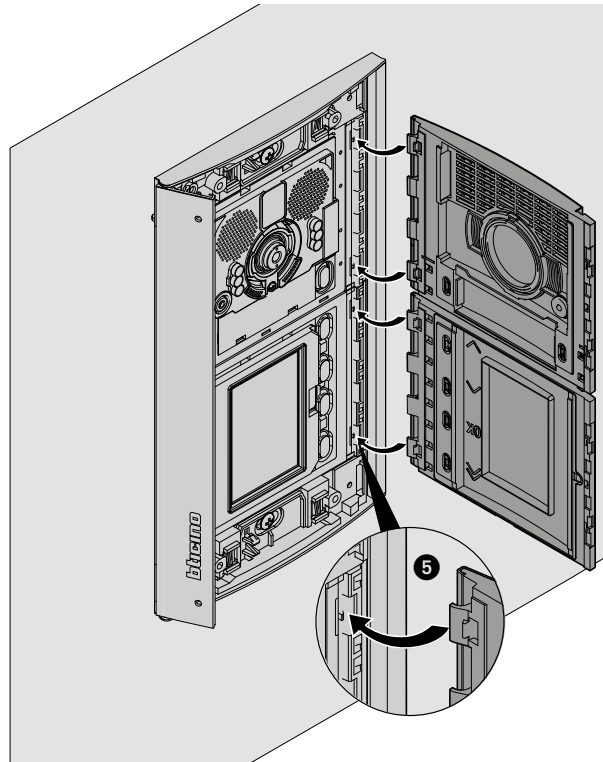
User and installation manual



Sfera Display Module

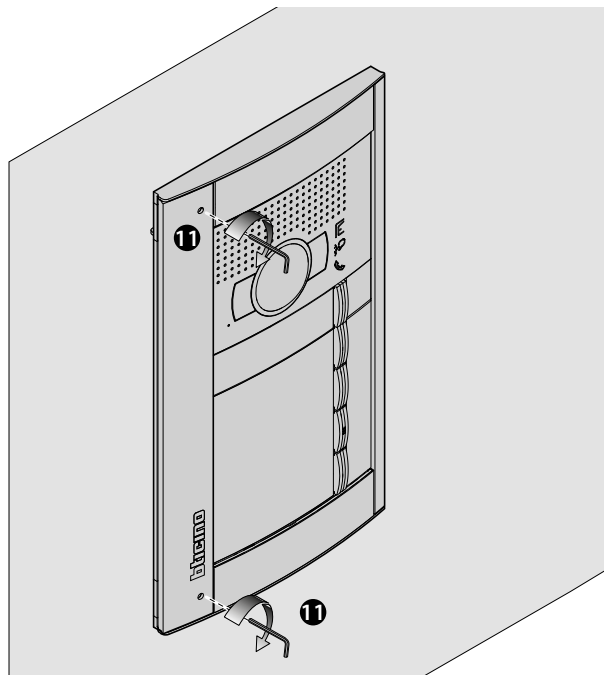
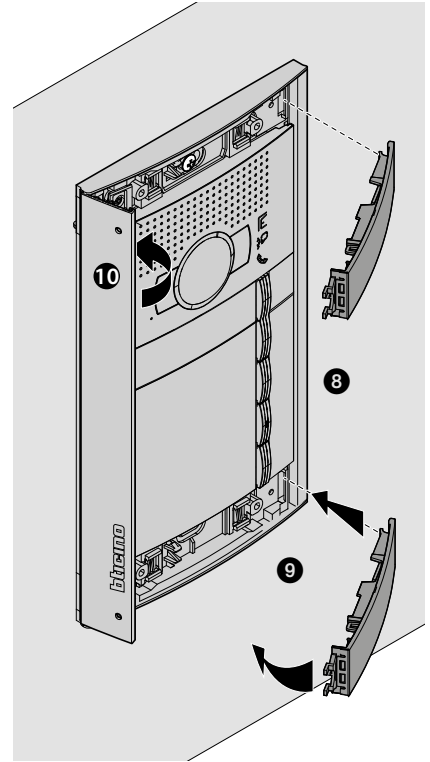
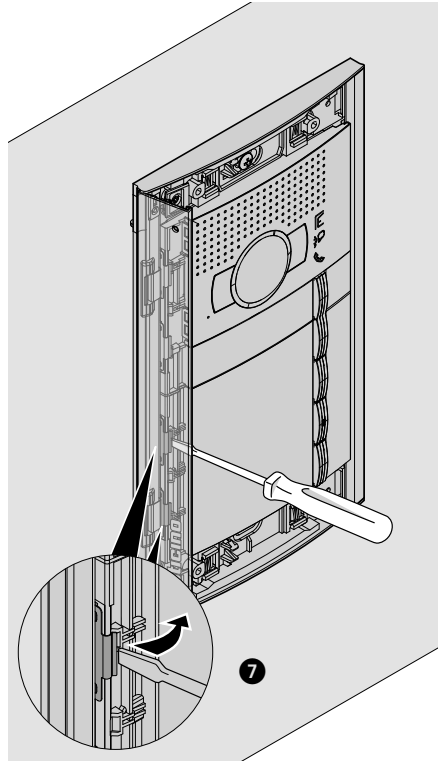
User and installation manual

bticino

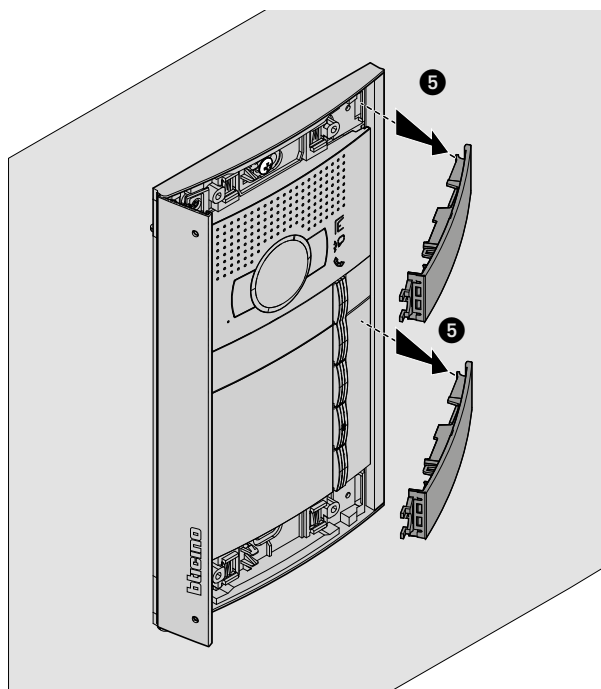
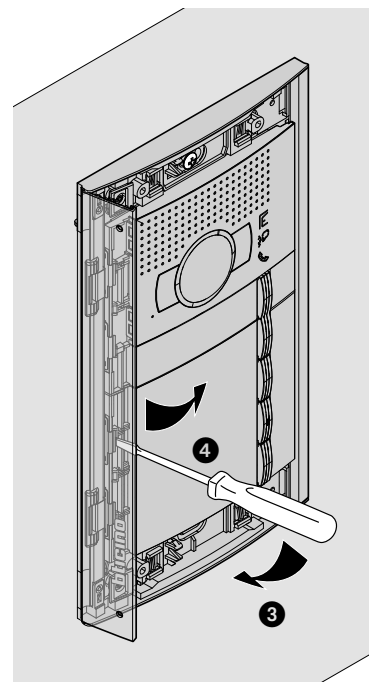
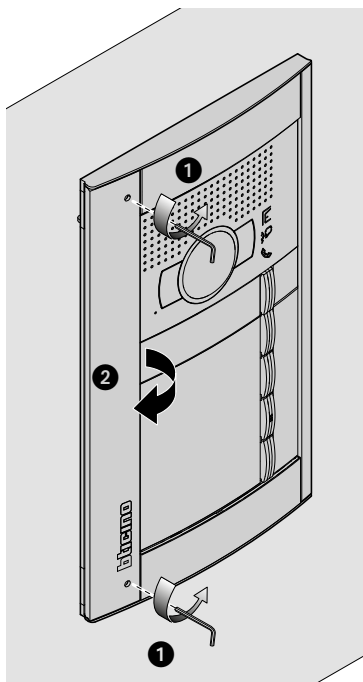


Sfera Display Module

User and installation manual

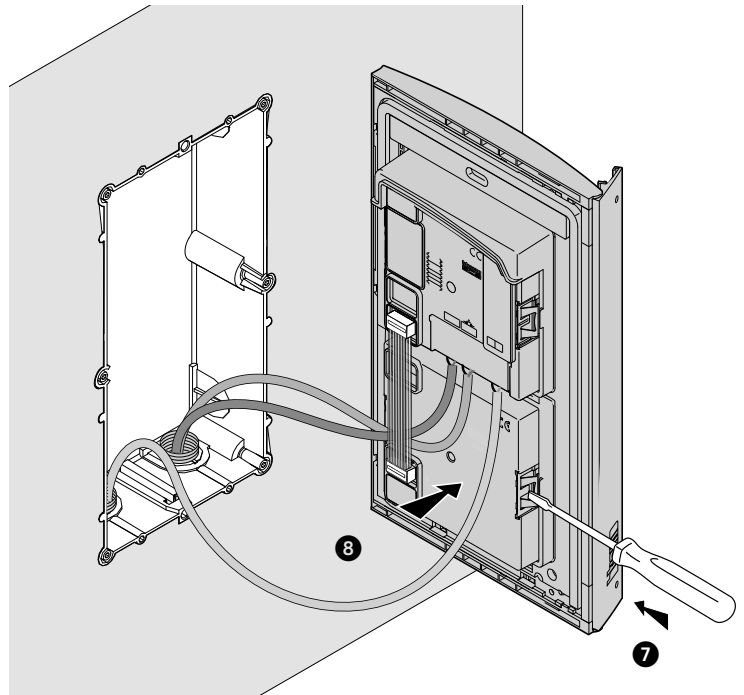
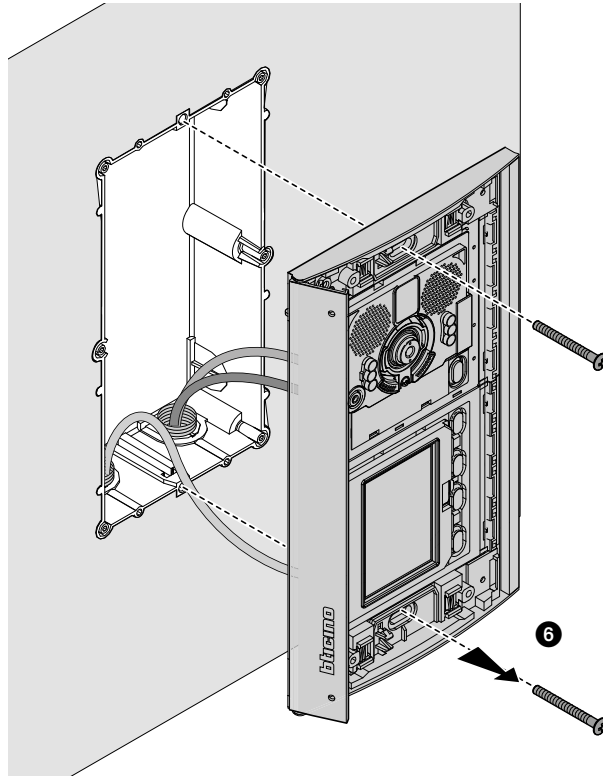


Disassembling



Sfera Display Module

User and installation manual

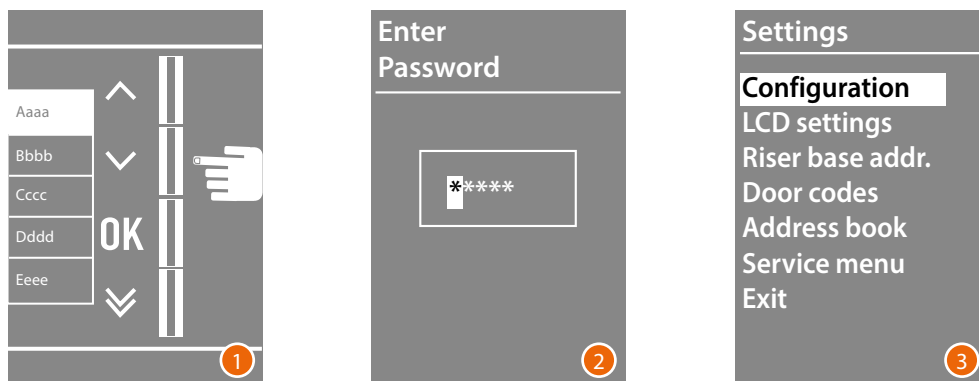


Configuration using the keypad

Access to the Settings menu

The password allows the installer to access the settings menu.

The default password is 12345. We recommend that you change this password to one of your choice to prevent unwanted access.

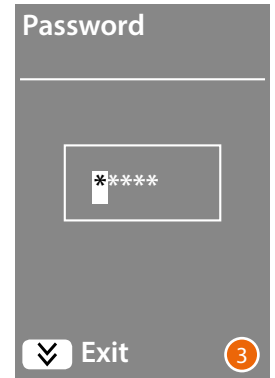
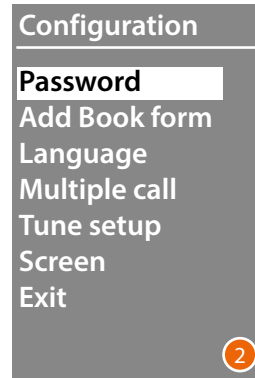
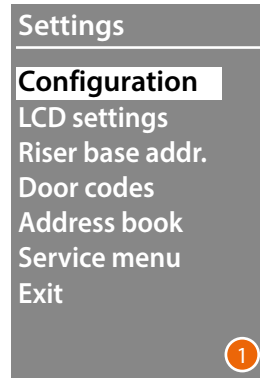


- 1 Press and hold down the ∇ \blacktriangle keys for more than 10 seconds.
- 2 Use the ∇ \blacktriangle keys to select the first digit of the password and touch **OK** to confirm. Proceed in the same way for the other 4 digits *.
- 3 If the password is correct you will access the Settings menu.

* **Note:** if present, the 353000 keypad module can be used to directly enter the password and to confirm it by pressing **OK**

Configuration

Password



- 1 Press OK to access the **Configuration** menu.
- 2 Press OK to modify the password.
- 3 Use the **V** **^** keys to select the first digit of the password and touch **OK** to confirm. Proceed in the same way for the other digits.
Press the **V** key to return to the **Configuration** menu without modifying the previous password.

*Note: if present, the 353000 keypad module can be used to directly enter the password and to confirm it by pressing **OK***

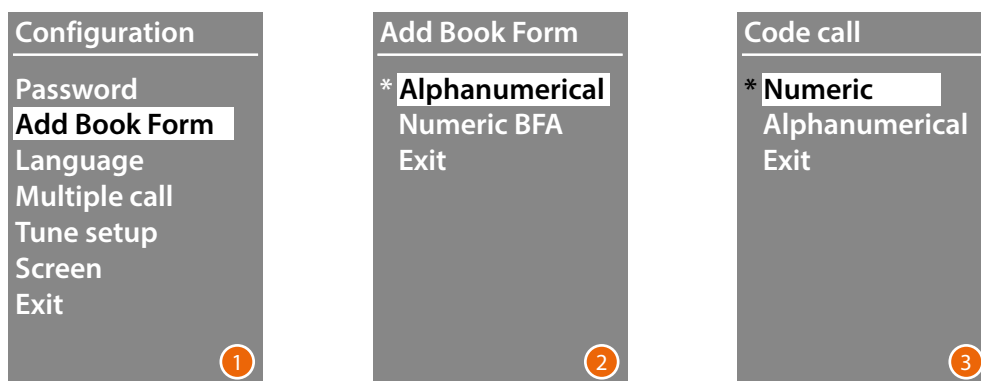


- 4 Repeat to confirm the new password or press the **V** key to return to the **Configuration** menu without modifying the previous password.
- 5 The new password is confirmed.

Address Book format

The display module gives the possibility of creating the residents address book in two different formats,

Alphanumeric (name, surname, etc.) or **Numeric BFA** (Block, Floor, Apartment). This setting will define the procedure for entering the corresponding details and the search procedure used by visitors.



- 1 Use the **▼ ▲** keys to select the **Address Book Format** menu
Press **OK** to confirm.
- 2 Use the **▼ ▲** keys to select the mode and touch **OK to confirm**
The format can only be changed if the address book does not contain any contacts.

If using the 353000 keypad module, selecting alphanumeric mode will display a second screen, where it will be possible to set the logic code (numerical or alphanumeric) to be used for making a direct call using the keypad.

- 3 Use the **▼ ▲** keys to select the mode and touch **OK** to confirm

Select **Numeric BFA** to display another screen where it is possible to set the number of digits to enter for every field; a maximum of 8 digits are allowed.



- 4 Use the **▼ ▲** keys to set the number of digits for the **Block** field, and confirm with **OK**
Repeat the procedure for all the other fields.

Note: the length of the BFA fields can only be changed if the address book is empty, otherwise, the TISferaDesign software must be used.

Language

The Display Module is supplied set by default to Italian language. This menu allows to change the setting based on personal needs.



- 1 Use the **▼ ▲** keys to select the **Language** menu. Press **OK** to confirm.
- 2 Use the **▼ ▲** keys to select the desired language. The currently set language is marked with an asterisk.
- 3 Press **OK** to confirm. To leave the menu without changing the settings select **Exit** and confirm with **OK**

Multiple Call

In the default condition, the Display is set not to repeat the call (internal unit ringing). This function allows you to set the number of call repetitions if there is no answer. Repetitions are at 10 second intervals.



- 1 Use the **▼ ▲** keys to select the **Multiple Call** menu. Press **OK** to confirm.
- 2 Use the **▼ ▲** keys to select the number of call repetitions if there is no answer. The currently set number of repetitions is marked with an asterisk.
- 3 Press **OK** to confirm. (E.g.: if the call is not answered the first time, it will be repeated automatically two more times)

Tune setup

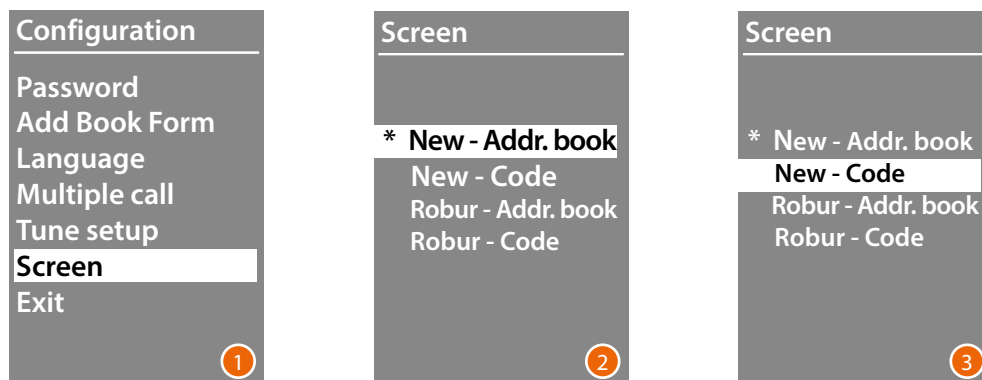
This menu allows to enable/disable the sound when keys are pressed (the default setting is **Tunes ON**).



- 1 Use the **▼▲** keys to select the **Tune setup** menu.
Press **OK** to confirm.
- 2 Use the **▼▲** keys to select the mode.
In case of entrance panel with Teleloop module, select the corresponding item for a correct management of the tunes.
The current setting is marked with an asterisk.
- 3 Press **OK** to confirm and return to the previous menu.

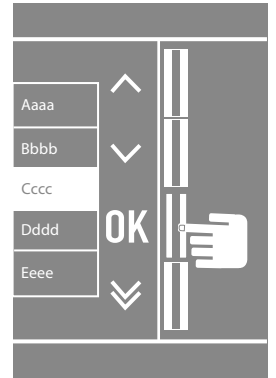
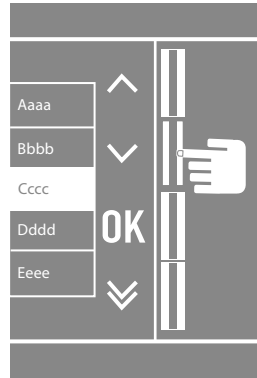
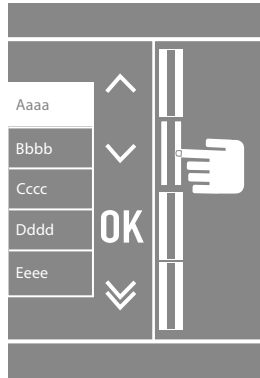
Screen

The display presentation screen appearance can be selected depending on the version chosen and the type of EP call

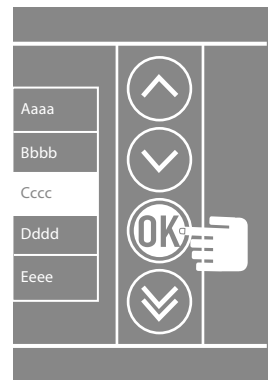
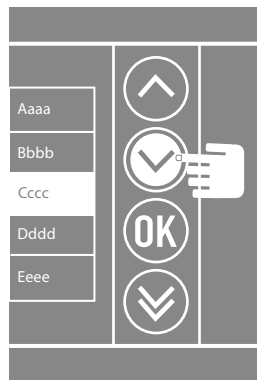
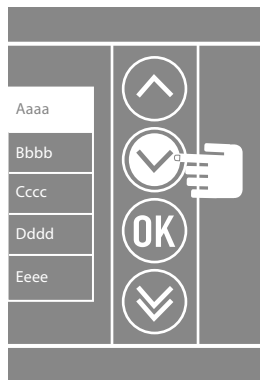


- 1 Use the **▼▲** keys to select the function.
Press **OK** to confirm.
- 2 Use the **▼▲** keys to select the screen appearance (see following page).
- 3 Press **OK** to confirm.

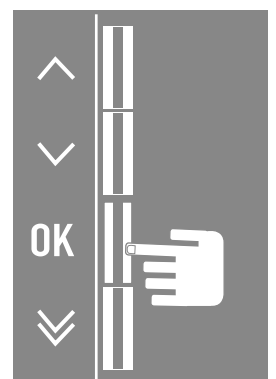
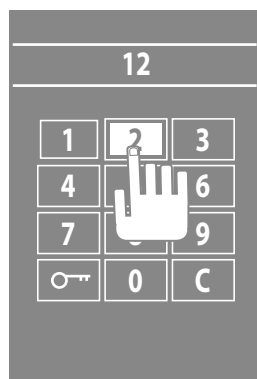
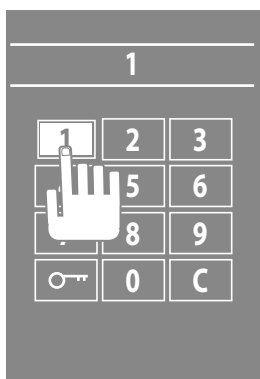
Call from address book - Sfera New finish



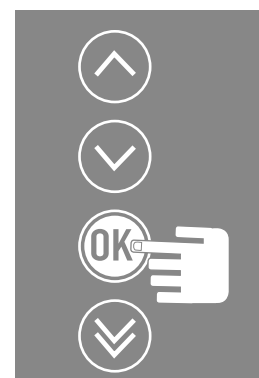
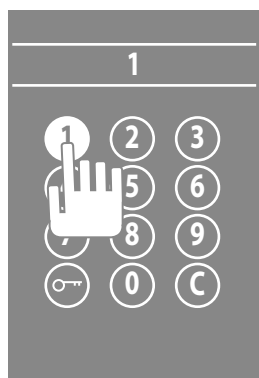
Call from address book - Sfera Robur finish



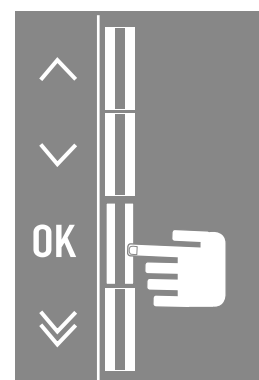
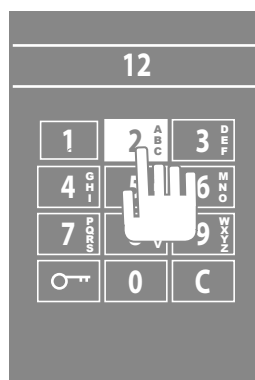
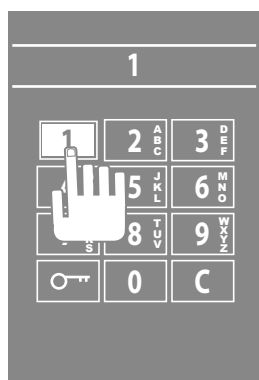
Numeric call - Sfera New finish



Numeric call - Sfera Robur finish



Call using an alphanumerical code - Sfera New finish



LCD Setup

Brightness - Contrast



- 1 Use the ∇ \blacktriangle keys to select the **Brightness and/or Contrast** function. Press **OK** to confirm.
- 2 Make the adjustment using the ∇ \blacktriangle keys
- 3 Press **OK** to confirm and return to the previous menu. Press the ∇ key to return to the previous menu without modifying the setting.

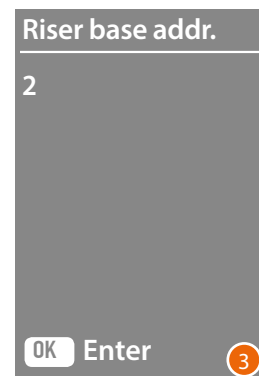
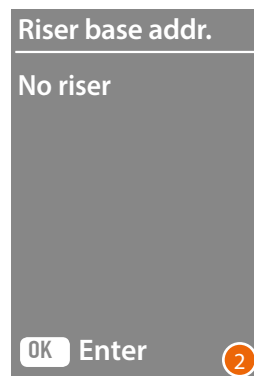
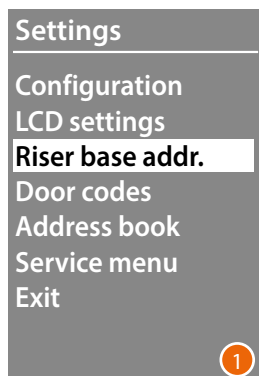
ECO Mode

Select **ECO Mode** to reduce the display brightness to 20 % after one minute of inactivity. When any key is pressed, the display brightness will go back to the set value.



- 1 Use the ∇ \blacktriangle keys to select the function. Press **OK** to confirm.
- 2 Make the selection using the ∇ \blacktriangle keys
The current setting is marked with an asterisk.
- 3 Press **OK** to confirm and return to the previous menu.

Riser base address



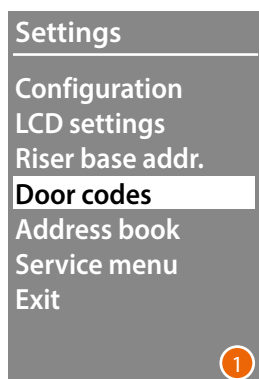
- 1 Use the ∇ \blacktriangle keys to select the function.
Press **OK** to confirm.
- 2 Use the ∇ \blacktriangle keys to set the address of the riser on which entrance panel being configured is connected
- 3 Press **OK** to confirm.

Door codes

Set n. digit

To enable access also to authorised non residents, it is possible to enter up to 20 numerical codes to open the door lock associated to the entrance panel.

This function can only be used together with the Keypad module, item 353000.



- 1 Use the ∇ \blacktriangle keys to select the **Door codes** function.
Press **OK** to confirm.
- 2 Press **OK** to access the setting of the maximum number of digits (from 4 to 9) which can make up the code
- 3 Use the ∇ \blacktriangle keys to set the maximum number of digits which can be used for the codes.
Press **OK** to confirm.

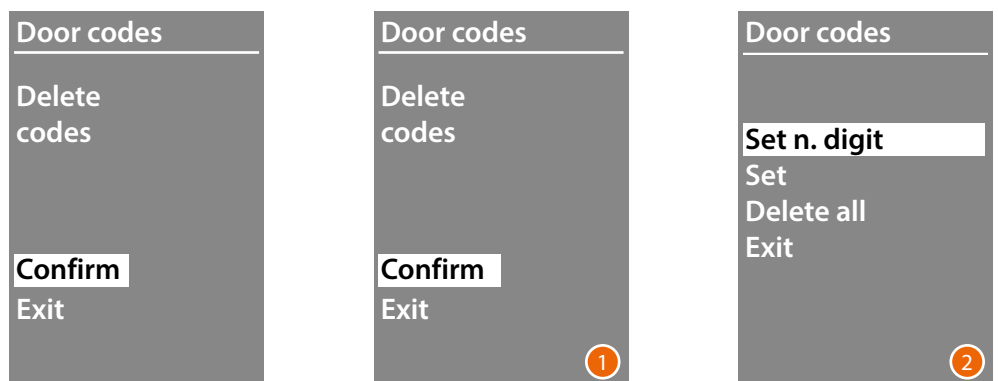
Set



- 1 Use the **▼▲** keys to select the code to be entered or modified (from 1 to 20). Press **OK** to confirm.
- 2 Using the Keypad Module 353000, enter the code.
- 3 Press **OK** to confirm.

Cancel

This function cancels all the previously recorded codes



- 1 If you want to delete all the codes, select "Confirm" using the **▼▲** keys. Press **OK** to delete all the codes.
- 2 The device emits a confirmation sound and shows the previous menu.

Residents can be entered in two ways. The procedure depends on the previous setup (see the **Address book** Format section); the following paragraphs describe both procedures.

Address book – Alphanumeric mode

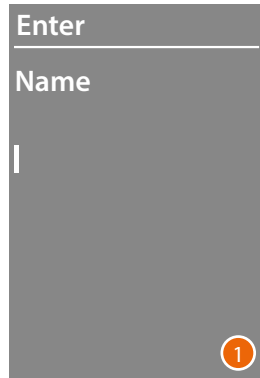


In the address book menu, it is possible to enter new contacts or modify / delete the existing contacts.

In Alphanumeric mode, for each resident the following details can be entered:

Name	Max. 16 characters
Surname	Max. 16 characters
Description	Field used to enter a short message that will appear when a call is made (e.g. a welcome message, or the office opening hours). Max. 16 characters
Logic code	Numerical or alphanumeric code that allows the direct call of the resident without having to look at the address book (max. 8 digits). This function is only available with internal units with Keypad Module
Door lock code	Numeric code used by the resident to open the door lock associated to the entrance panel. (4 to 9 characters). This function is only possible with entrance panels featuring a keypad Module.
Address	Physical SCS address of the handset

Enter

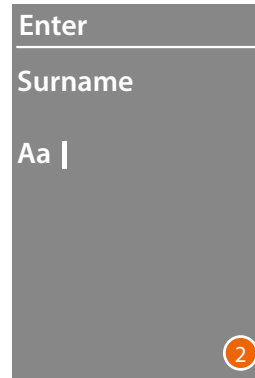


Enter

Name

|

1



Enter

Surname

Aa |

2



Enter

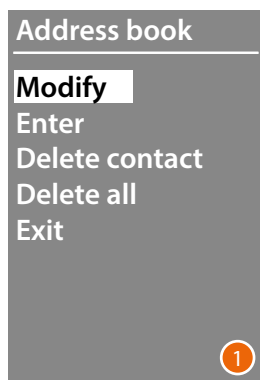
logic code

1234 |

3

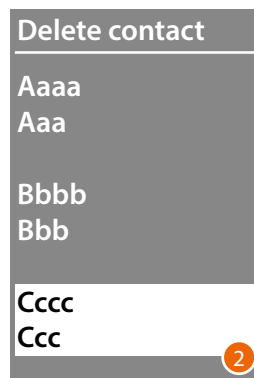
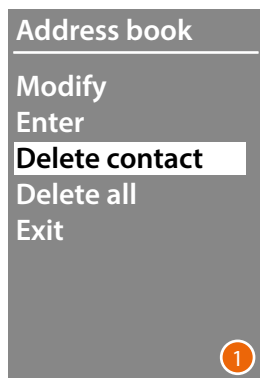
- 1 Use the **▼ ▲** keys to select the first letter of the name.
Touch **OK** to confirm
Continue until the whole name has been entered. Use the **↵** key to correct any errors.
Press and hold down **OK** to enter the surname.
- 2 Follow the same procedure to enter the surname and the description.
- 3 When entering numerical or alphanumerical codes for direct call, door lock opening and internal unit SCS physical address, it is possible to use both the **▼ ▲** keys and the keypad Module (if part of the internal unit).
Touch **OK** to confirm
To end the contact insertion procedure without saving the data, press and hold down the **↵** key

Modify



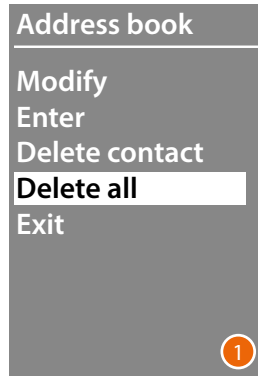
- 1 Press **OK** to access the menu.
- 2 Use the **▼▲** keys to select the contact to be modified.
Touch **OK** to confirm
- 3 Continue to the modification using the **▼▲** keys
Press and release **OK** to move to the next letter.
To move to the next field (e.g. from name to surname), press and hold down **OK**
To end the contact insertion procedure without saving the data, press and hold down the **▼** key

Delete contact



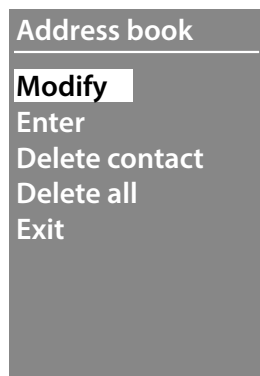
- 1 Press **OK** to access the menu
- 2 Use the **▼▲** keys to select the contact to be deleted.
Touch **OK** to confirm
- 3 The request for confirmation of deletion or exit appears.
Select the function with **▼▲**
Press **OK** to confirm

Delete all



- 1 Press **OK** to access the function.
- 2 If you want to delete all the contacts in the address book, select "Confirm" using the **▼ ▲** keys
Press **OK** to delete the entire address book.
- 3 The deletion procedure takes a few seconds. The progress of the operation is shown by the appearance of a sequence of asterisks.

Address book – Numeric BFA mode

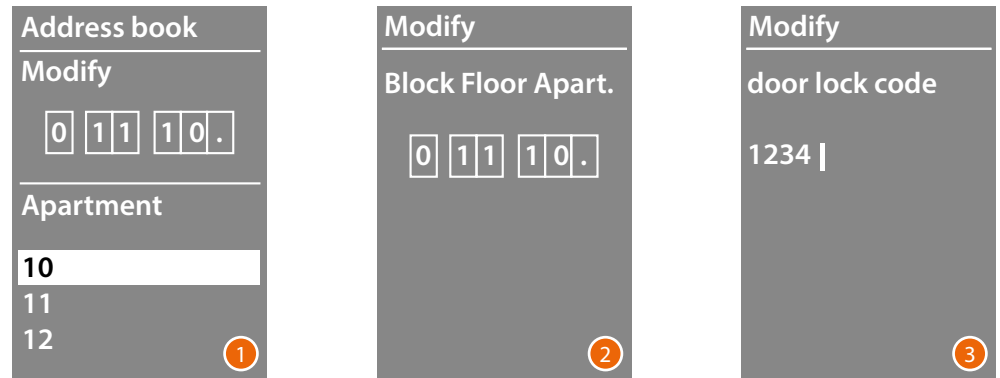


In the address book menu, it is possible to enter new contacts or modify / delete the existing contacts.

In Numeric BFA mode, for each resident the following details can be entered:

Block	The number of digits that can be used is indicated in the Address Book Format menu
Floor	The number of digits that can be used is indicated in the Address Book Format menu
Apartment	The number of digits that can be used is indicated in the Address Book Format menu
Door lock code	Numerical code that allows residents to open the door lock associated with the entrance panel (4 to 9 digits). This function is only possible with internal units with keypad Module.
Address	Physical SCS address of the handset

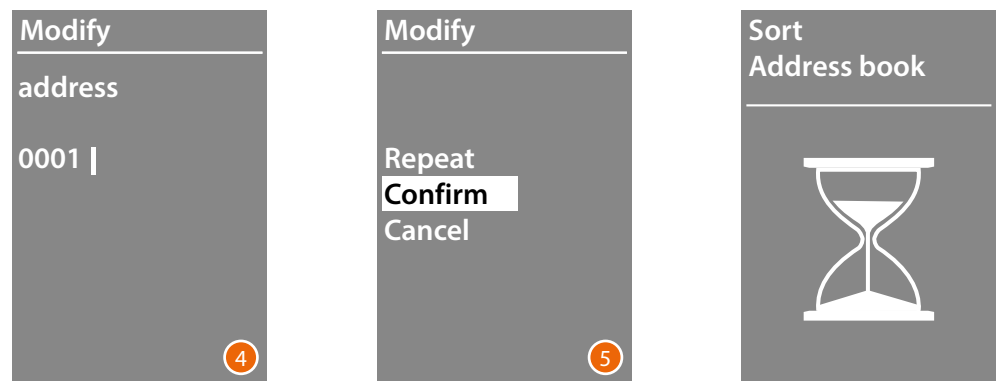
Modify



- 1 After selecting the Block, Floor and Apartment of the contact to modify. Press **OK** to access the menu.
- 2 Change the setting using the **▼ ▲** keys or the keypad module (if present). Confirm by pressing and releasing **OK**, or if no changes are required for the field, press and hold down **OK** to go to the next field.

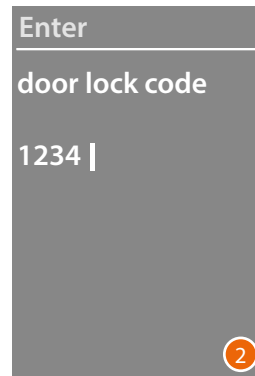
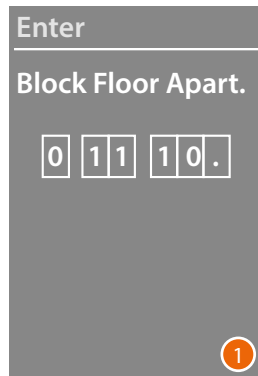
Both the **▼ ▲** keys and the Keypad module can be used to enter the numerical codes for the door lock opening.

- 3 Press and hold down **OK** to move to the next field.



- 4 Set the SCS physical address of the internal unit
Press and hold down **OK** to end the contact modification.
- 5 Select **Confirm** and press **OK**
To end the contact modification procedure without saving the data, select **Cancel** and press **OK**

Enter



- 1 Use the **▼** **▲** keys or the keypad module (if part of the internal unit) to enter the first Block digit.
Touch **OK** to confirm
Continue until completion. Use the **▼** key to correct any errors.
Press and hold down **OK** to move to the entering of the door lock codes.
- 2 Both the **▼** **▲** keys and the Keypad module can be used to enter the numerical codes for the door lock opening
Press and hold down **OK** to move to the next stage
- 3 Set the SCS physical address of the internal unit.
Press and hold down **OK** to end the contact entering.



- 4 Select **Confirm** and press **OK**
To end the contact modification procedure without saving the data, select **Cancel** and press **OK**

Delete contact



- 1 Use the **▼**/**▲** keys to select the Block for the contact to be deleted
Press **OK** to confirm and move to the entering of the Floor.
- 2 After setting the details of the Block, Floor and Apartment of the contact to delete, press **OK** to confirm and continue.
The request for confirmation of deletion or exit appears.
- 3 Select the option using the **▼**/**▲** keys
Press **OK** to confirm.

Delete all



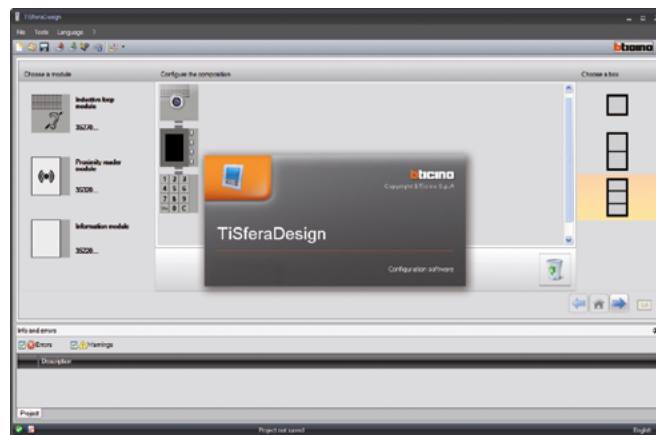
- 1 Press **OK** to access the function.
- 2 If you want to delete all the contacts in the address book, select "Confirm" using the **▼**/**▲** keys
Press **OK** to delete the entire address book.
- 3 The deletion procedure takes a few seconds. The progress of the operation is shown by the appearance of a sequence of asterisks.

Configuration using the software

The TiSferaDesign software

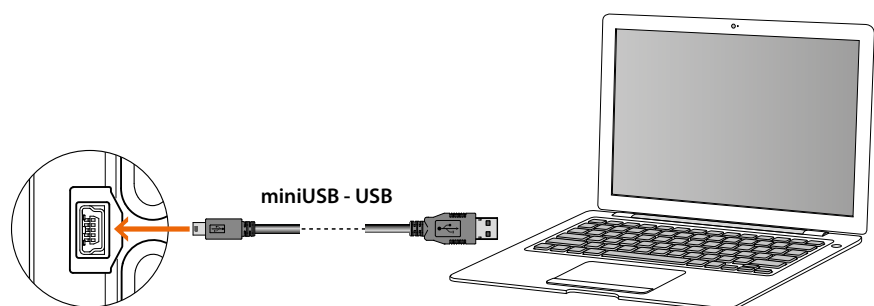
All the configurations can be completed using the TiSferaDesign, available for download at www.homesystems-legrandgroup.com

Software configuration is highly recommended as it simplifies and speeds up the whole procedure. It also gives the possibility of saving on the PC all the configuration data and the residents address book for later updates or Modifications.



Connection to the PC

To transfer the configuration performed using the TiSferaDesign software, or to update the firmware, connect the Sfera display Module to the PC using a USB-miniUSB cable.



When updating the software the device must be powered.

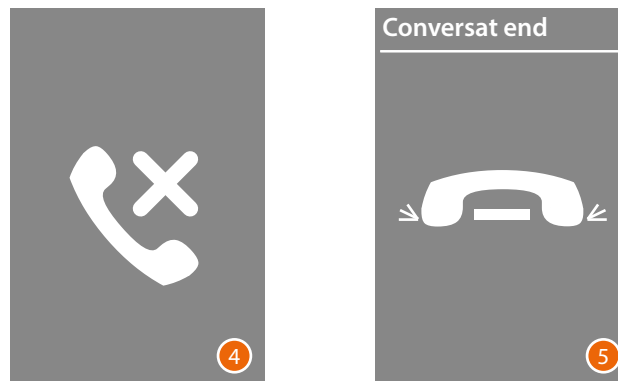
The Sfera display Module connected through a USB cable is recognised by the PC as a virtual port (VIRTUAL COM); the TiSferaDesign software automatically recognises its address.

Using the display module

Alphanumeric mode call

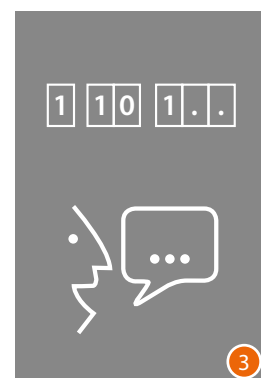
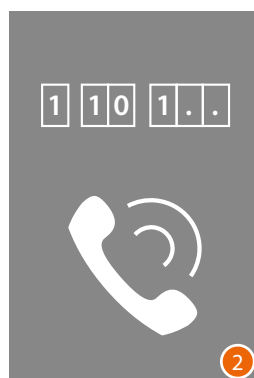
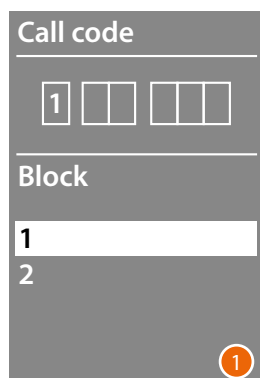


- 1 Use the ∇ \wedge keys to select the name of the resident that you wish to call. The ∇ key allows quick scrolling of the address book. Every time the ∇ key is pressed the cursor moves to the next letter of the address book. Touch **OK** to confirm
- 2 The call has been forwarded.
- 3 The conversation is active.



- 4 This screen indicates that the Apartment is busy.
- 5 The conversation has ended.

Numeric BFA mode call



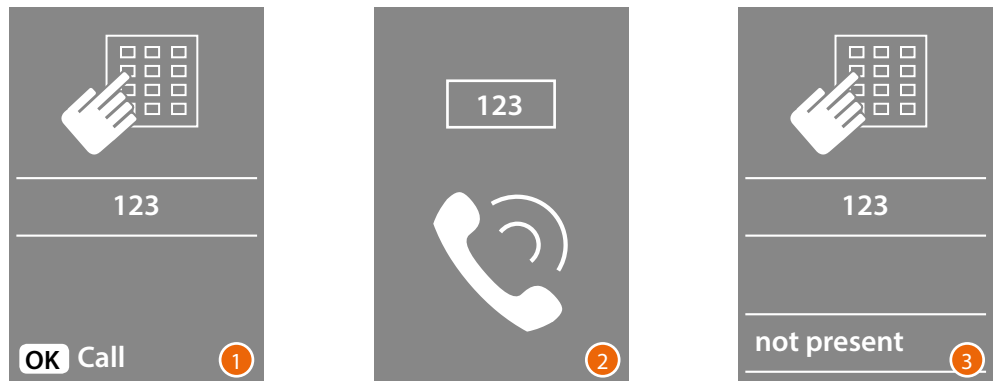
- 1 Use the **▼** **▲** keys to select the Block
Touch **OK** to confirm
Repeat for the Floor and the Apartment.
- 2 After confirming the apartment, the call is forwarded.
- 3 The conversation is active.



- 4 This screen indicates that the apartment is busy
- 5 The conversation has ended.

Keypad module call

With units with keypad module, it is possible to use the logic code of the resident or the BFA code to make the call, by entering the code on the keypad.



- 1 Enter the code on the keypad
Press **OK** to forward the call
- 2 The call has been forwarded
- 3 The following screen appears if the code is wrong

BTicino SpA
Viale Borri, 231
21100 Varese
www.bticino.com
