

| | | | |
|--|----------------------------|--|--|
| | 29 V $\overline{\text{=}}$ | | 4 x (\varnothing 0.6 mm < $\frac{8\text{mm}}{\text{---}} < \varnothing$ 0.8 mm) |
| | BUS<4mA, Auxiliary<67mA | | -5°C \rightarrow +45°C |

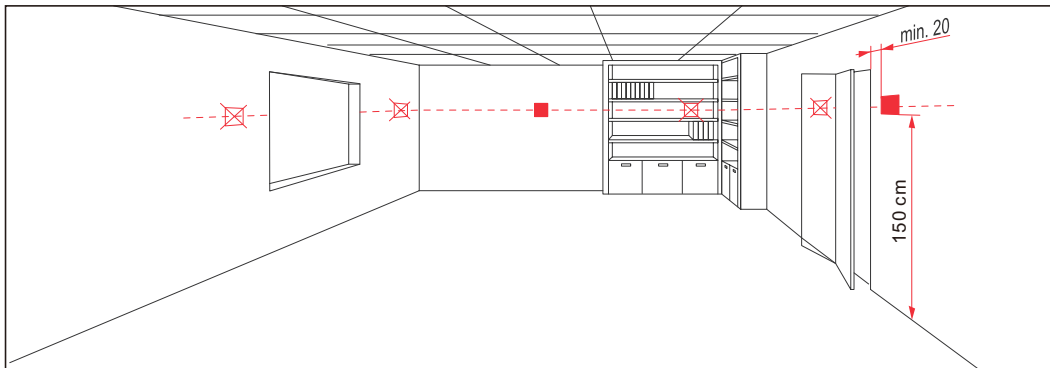
Dimensions

Top Model Dimensions:
 Face: 86mm x 86mm
 Depth: 36.1mm
 Internal Frame: 70.5mm x 69mm
 LED Area: 42mm x 60.3mm

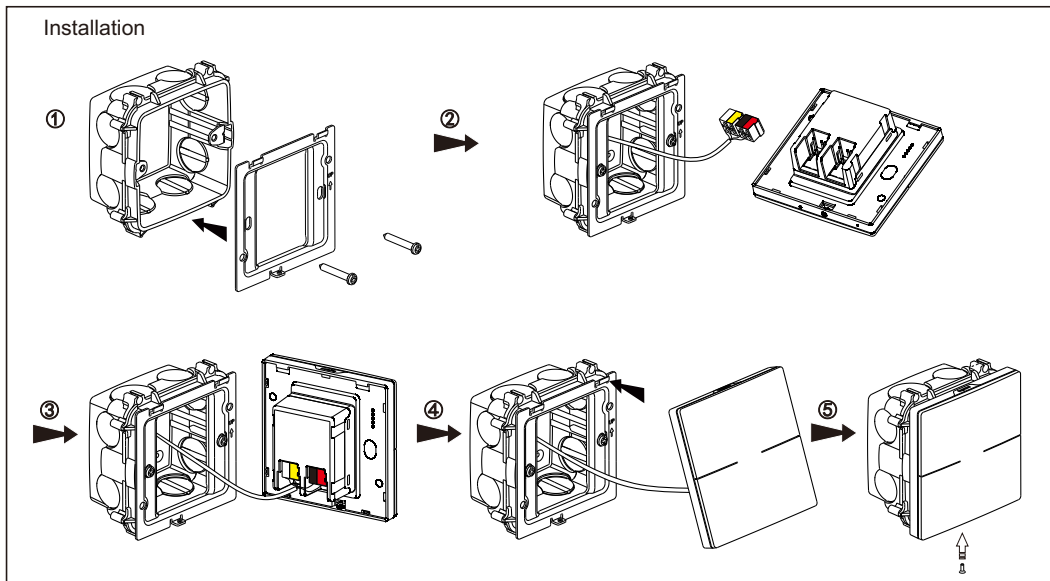
Bottom Model Dimensions:
 Face: 116mm x 86mm
 Depth: 36.1mm
 Internal Frame: 70.5mm x 69mm
 LED Area: 42mm x 60.3mm

Top Model Labels: Button, LED prog., Prog. Fixing screw

Bottom Model Labels: LCD, Button, Temperature sensor, Fixing screw, Prog., LED prog.



Installation



Wiring diagram

