

3.3 Transport

Ajouter la déclaration suivante :

- Ne pas empiler plus de 4 modules de puissance

3.3 Transportation

Add the following sentence:

- Do not stack more than 4 power modules

3.3 Trasporto

Aggiungere la seguente frase:

- Non impilare più di 4 moduli di potenza



**MAX
4 PCS
(22,5 Kg)**

4.4 Installation des tiroirs de batterie

Ajouter les phrases suivantes:

- Il doit y avoir au moins 1 KB (Battery Kit) pour chaque 25 kVA de puissance nominale de l'ASI. Pour les tiroirs de batteries internes et les unités de batteries modulaires externes, 1 KB est composé de 2 tiroirs de batteries.
- Les câbles ne doivent pas dépasser des montants des tiroirs afin d'éviter les coupures lors de l'insertion dans l'armoire.

4.4 Battery drawers installation

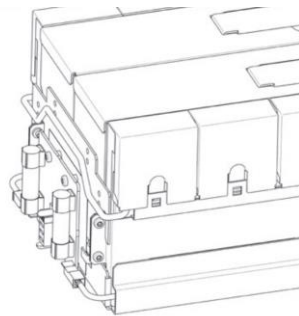
Add the following statements:

- There must be at least 1 KB (Battery Kit) for every 25 kVA of nominal UPS power. For internal battery drawers and for external modular battery units, 1 KB is made up of 2 battery drawers.
- Cables should not protrude from the drawer uprights to avoid cuts during insertion into the cabinet.

4.4 Installazione dei cassetti batteria

Aggiungere le seguenti frasi:

- Per ogni 25 kVA di potenza nominale dell'UPS deve essere presente almeno 1 KB (Battery Kit). Per i cassetti batteria interni e per gli armadi batterie modulari esterni, 1 KB è composto da 2 cassetti batteria.
- I cavi non devono sporgere dai montanti dei cassetti per evitare tagli durante l'inserimento nell'armadio.



11 Tables - TABLE 5

Change the table with the following one:

Maximum current absorbed by the batteries at full load and recommended wire cross sections for connecting the UPS to the external battery cabinets

POWER	MAXIMUM BATTERY CURRENT	RECOMMENDED WIRE CROSS SECTION	RECOMMENDED FUSES
125 kVA	300 A	Common battery: 1 x 150 mm ² (per pole) Independent strings: 5 x 16 mm ² (per pole)	DC ultra rapid type aR or gR 315 A (1 per pole) *
250 kVA	600 A	Common battery: 2 x 150 mm ² (per pole) Independent strings: 5 x 35 mm ² (per pole)	DC ultra rapid type aR or gR 315 A (2 per pole) *

* NOTE: Contact the Legrand Technical Support Service to know the correct fuses to be installed. UPS produced in the past may need to use only aR fuses with I²t= 39600 for the 125 kVA model or only aR fuses with I²t= 158400 for the 250 kVA model.

INDICATION

The maximum length of the battery cables is 25 m.

After the paragraph 4.2.5, add a new paragraph:

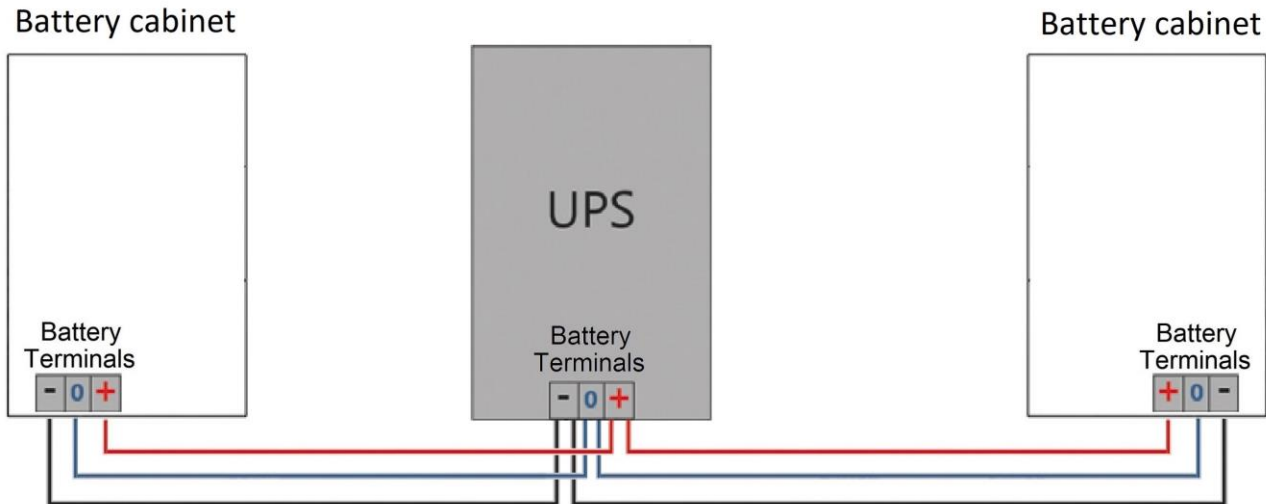
4.2.6 External battery cabinets installation

The installation of external battery cabinets is necessary in case of UPS without internal batteries. For UPS with internal batteries, it can increase the runtime in stored energy mode.

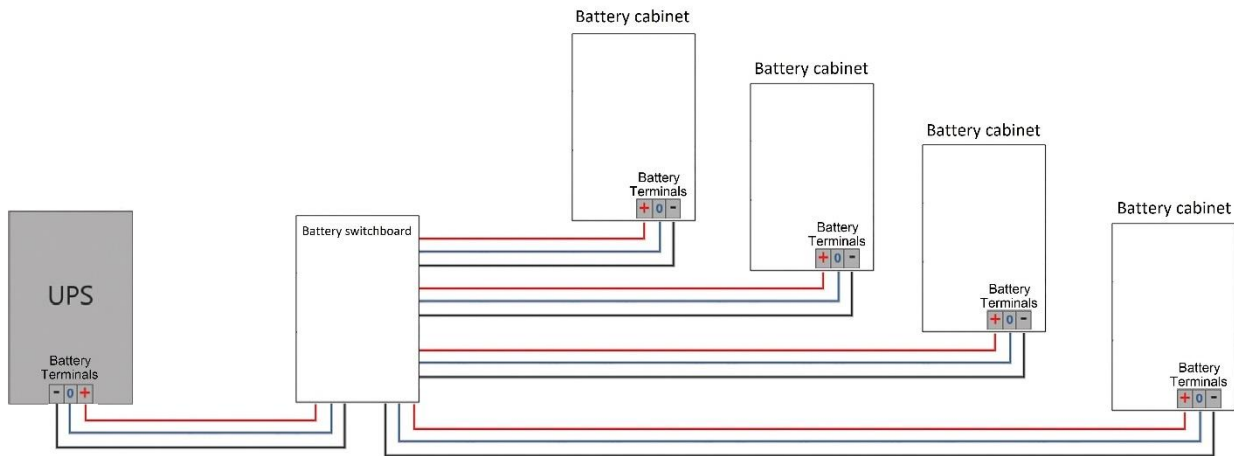
The external battery cabinets available are:

- a modular cabinet (3 104 84) using up to 16 battery drawers.
- those indicated in table 6 of chapter 11 which are compact, non-modular cabinets that use a shelf architecture.

It is possible to install up to two external battery cabinet directly to the UPS Keor MOD. Avoid bridge connections when connecting the battery cabinets to the UPS.



When there are more than two battery cabinets, it is recommended to provide a battery switchboard.



DANGER

Different connection solutions are the sole responsibility of the installer.

The implementation of the battery switchboard must be carried out according to the local installation regulations and it is a responsibility of the installer.

The external modular battery cabinets must be homogeneous in the number of battery drawers. The difference between one cabinet and the other must be a maximum of 1 KB (2 battery drawers).

INDICATION

There must be at least 1 KB (Battery Kit) for every 25 kVA of nominal UPS power. For internal battery drawers and for external modular battery cabinets, 1 KB is made up of 2 battery drawers.

Table 5 of chapter 11 indicates the recommended cables and fuses to connect the UPS to the battery switchboard.

The input current and the output power of the UPS are indicated in chapter 11 and the battery current in table 5 of chapter 11.

Tables 6 of chapter 11 provides information about the fuses to be installed for the external non-modular battery cabinets.