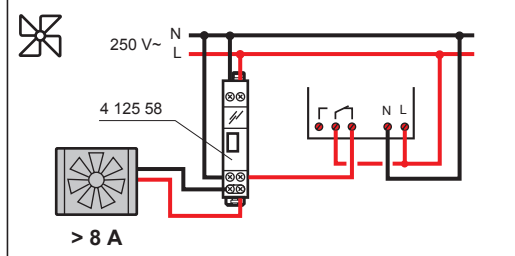
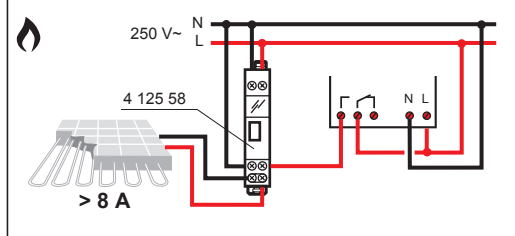
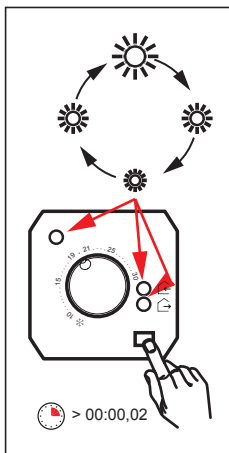
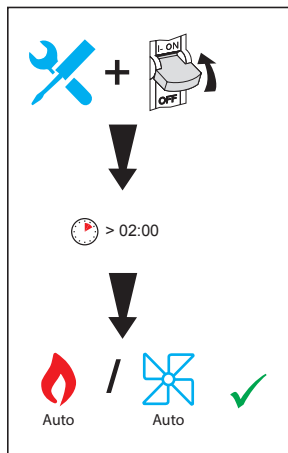
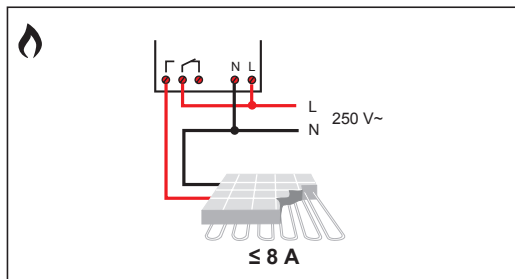
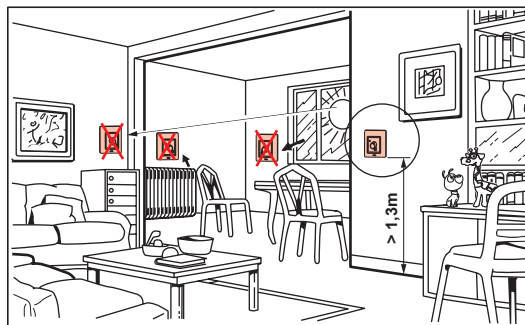
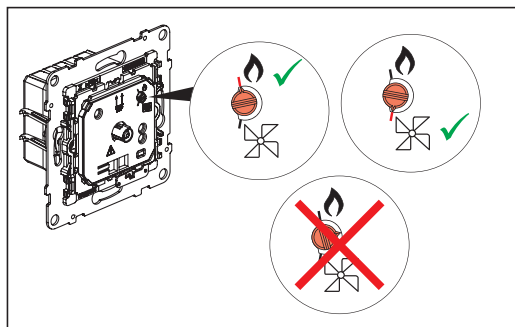
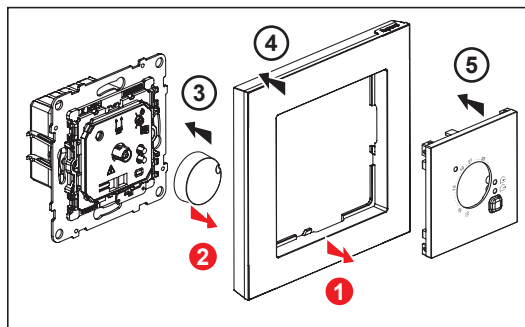
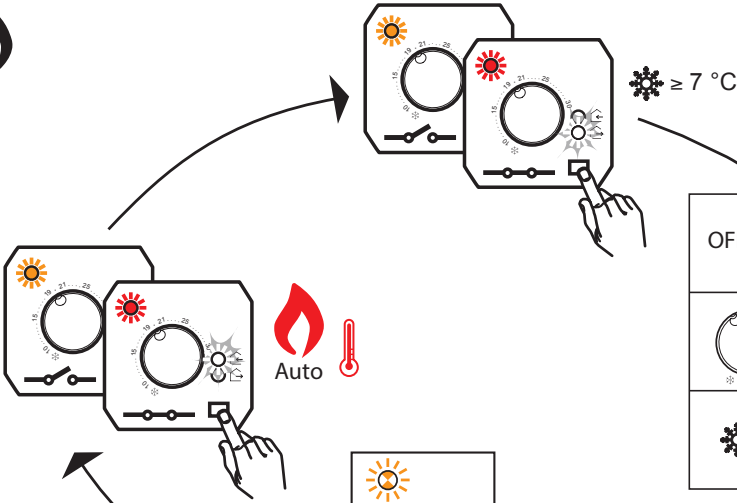
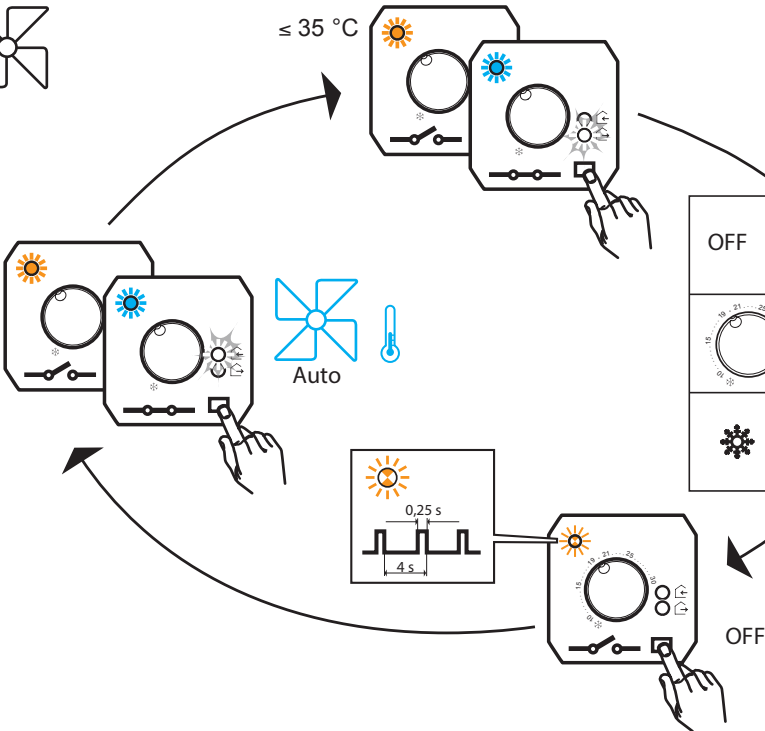
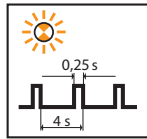


	-10°C ... +70°C	-5°C ... +35°C	 10°C ... 30°C $\Delta K = \pm 2K$	250 V~ 8 A, $\cos \varphi = 1$ 2 A, $\cos \varphi = 0,6$	6 mm 1,5..4 mm ² 1,5..2,5 mm ²
	P	U, f			< 1 W 230 V~ 50 / 60 Hz

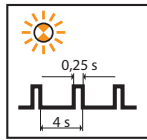


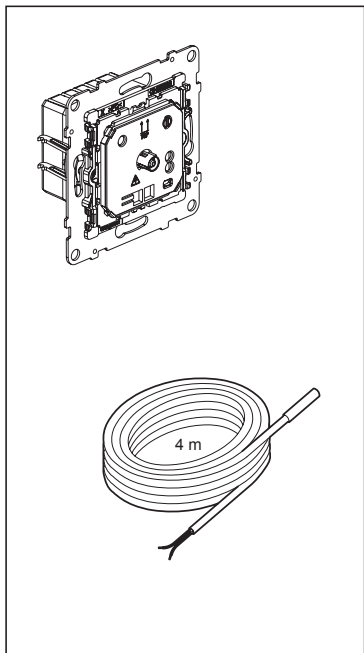


OFF		



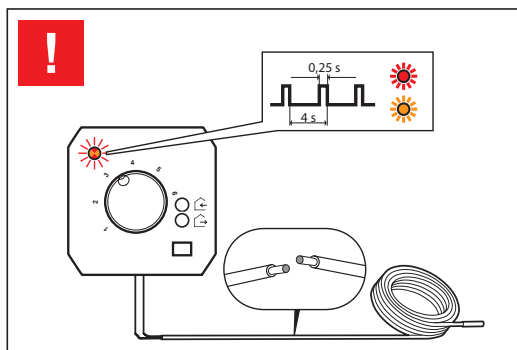
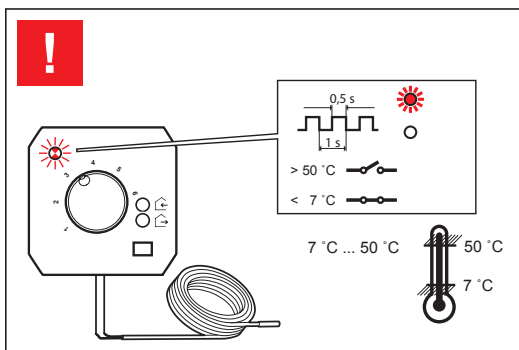
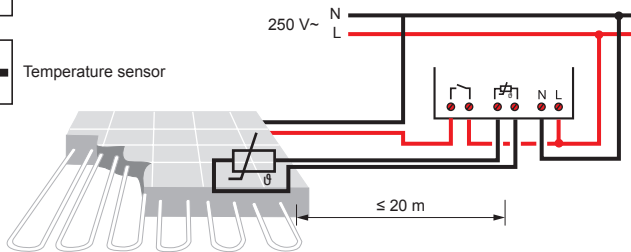
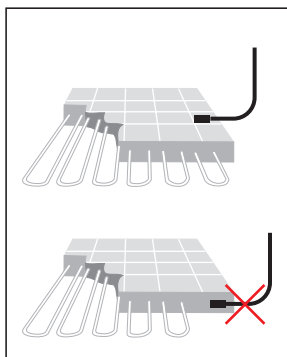
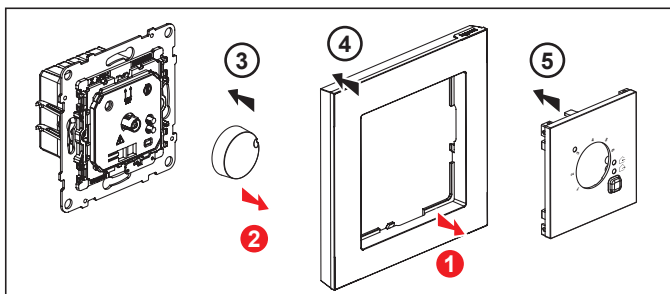
OFF		

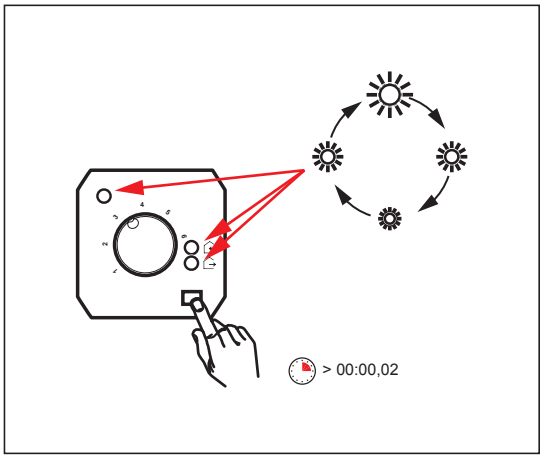
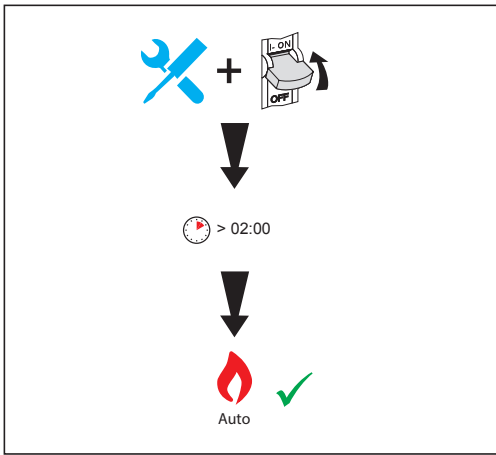




			ΔK
-10°C ... +70°C	-5°C ... +35°C	 1...6 (10°C...60°C)	$\pm 2K$

			P	U
≤ 20 m	250 V~ 16 A, $\cos \varphi = 1$	6 mm 1,5, 4 mm ² 1,5, 2,5 mm ²	< 1 W	230 V~ 50 / 60 Hz





OFF	
7 °C	

