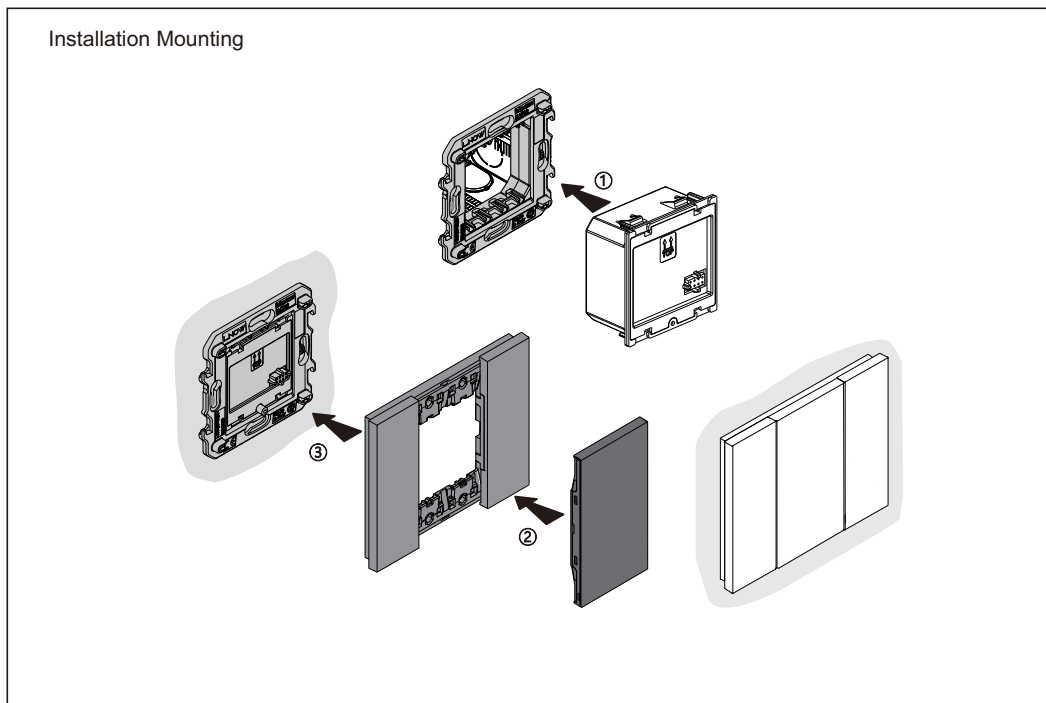
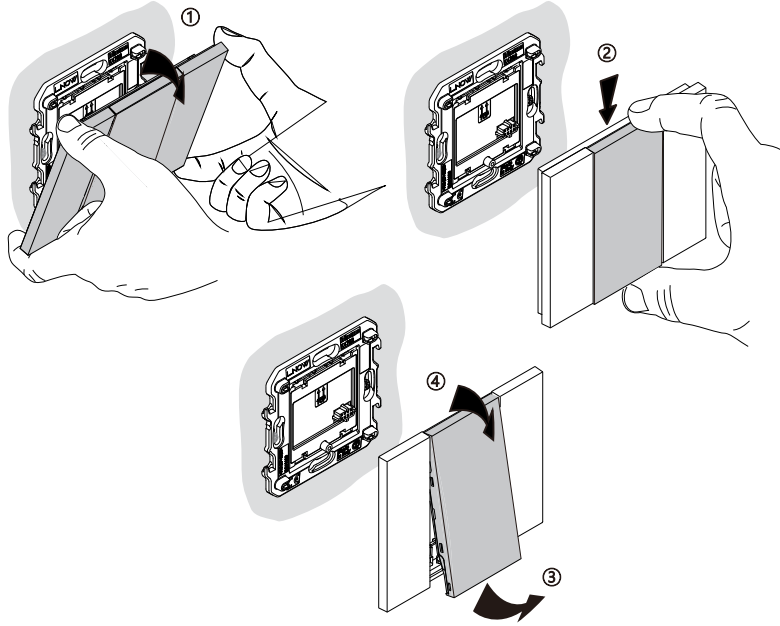


	29 V \approx		-5 \rightarrow +45°C
	<20mA		



Installation Disassembling



Wiring diagram

