


Wireless roller shutters switch

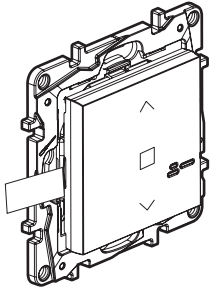
8 636 43 - 8 637 43 - 8 638 43 - 8 639 43



This pack is a connected accessory which **requires** you to buy and install the connected starter pack and one or more Niloé Step with Netatmo connected switches for roller shutters first.

 This product only controls Niloé Step with Netatmo connected switches for roller shutters.

Pack contents



Wireless roller shutters switch



Removable stickers

Frequency bands: 2.4 - 2.4835 GHz
Power level: < 100 mW



www.legrand.com

LEGRAND - Pro and Consumer Service - BP 30076
87002 LIMOGES CEDEX FRANCE • www.legrand.com

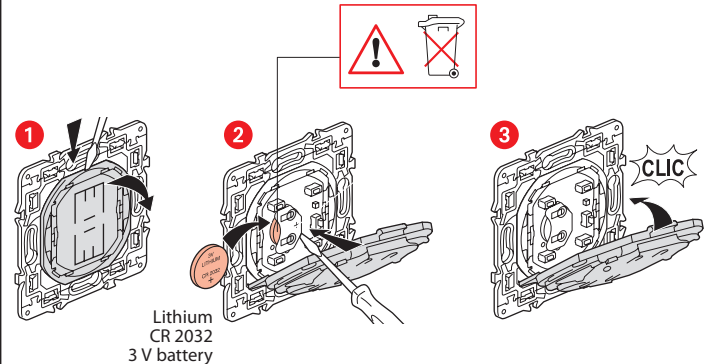
LE13853AA

Install the wireless roller shutters switch

To pair the wireless roller shutters switch with your connected installation, you should follow the instructions:

- in the **Legrand Home + Control application (Settings/Add a new product section)**
- or consult the user manual on legrand.com

Replacing the battery



SIMPLIFIED EU DECLARATION OF CONFORMITY

The undersigned,

Legrand

declares that the radio-electric equipment referred to in these instructions complies with directive 2014/53/EU.

The full text of the EU declaration of conformity is available on the following website:

www.legrand.com/ecatalogue