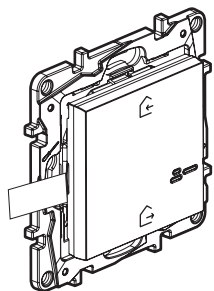


Home/Away wireless switch
8 636 02 - 8 637 02 - 8 638 02 - 8 639 02



This pack is a connected accessory which **requires** you to buy and install the starter pack and Niloé Step with Netatmo outlets, switches (with dimmer option) and/or connected lighting micromodules first.

Pack contents



Home/Away
wireless switch



Removable stickers

Frequency bands: 2.4 - 2.4835 GHz
Power level: < 100 mW



www.legrand.com

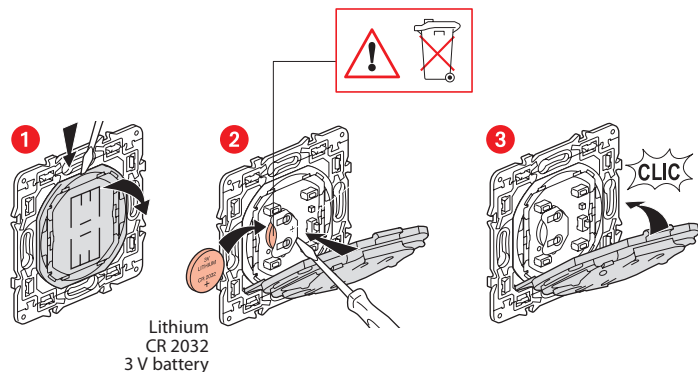
LEGRAND - Pro and Consumer Service - BP 30076
87002 LIMOGES CEDEX FRANCE - www.legrand.com

LET3851AA

Install the Home/Away wireless switch

To add the Home/Away wireless switch to your connected installation, you should follow the instructions:
in the **Legrand Home + Control application (Settings/Add a new product section)**
or consult the user manual on legrand.com

Replacing the battery



SIMPLIFIED EU DECLARATION OF CONFORMITY

The undersigned,

Legrand

declares that the radio-electric equipment referred to in these instructions complies with directive 2014/53/EU.

The full text of the EU declaration of conformity is available on the following website:

www.legrand.com/ecatalogue