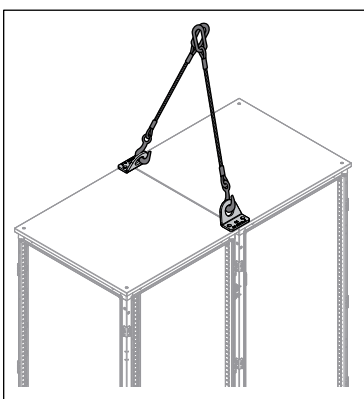
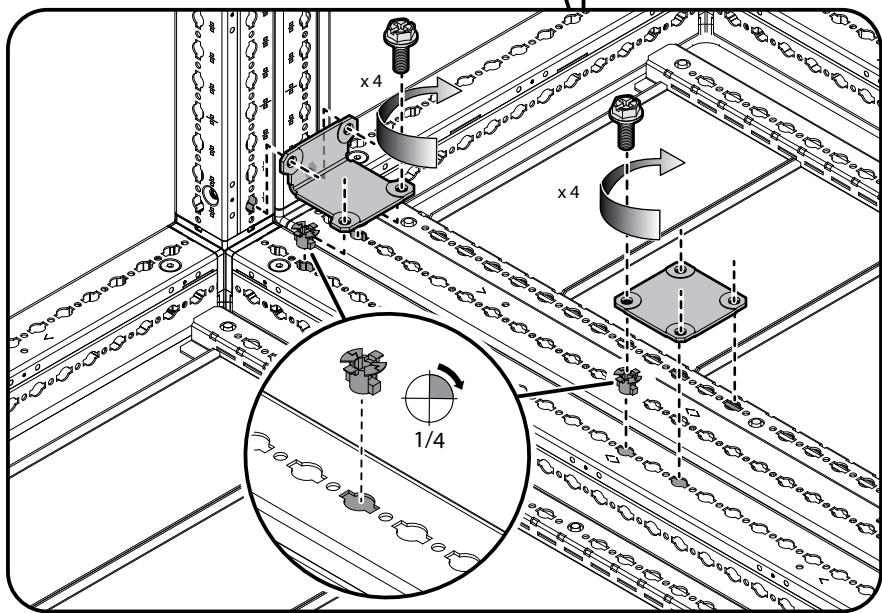
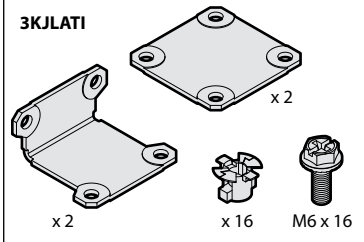
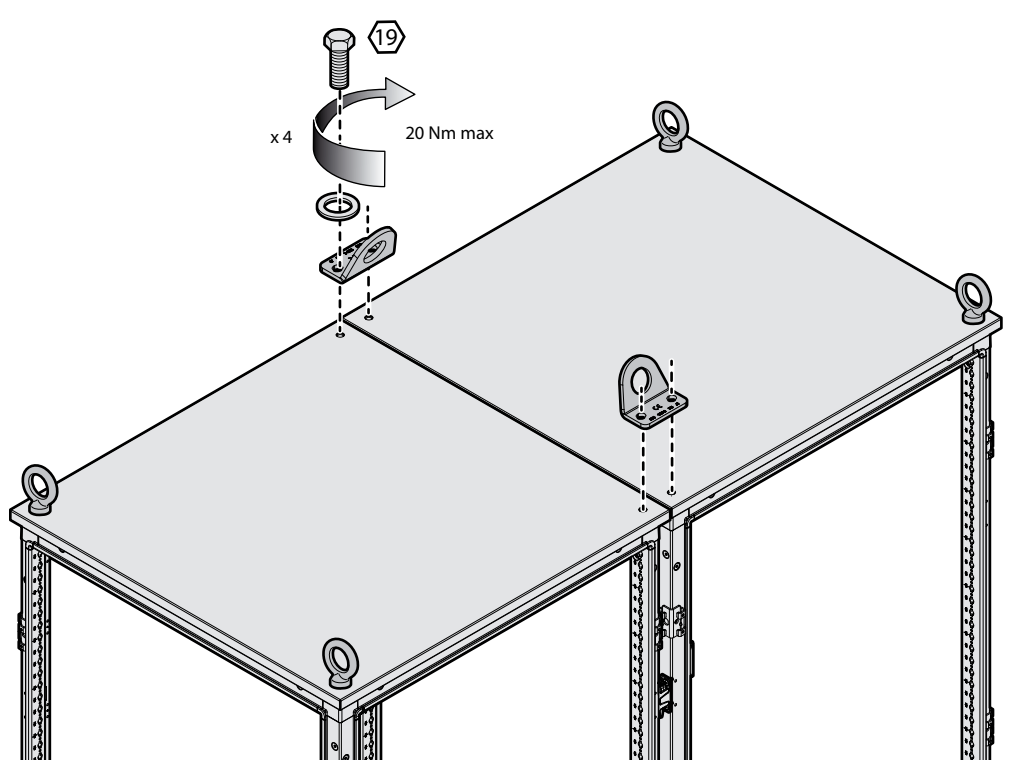
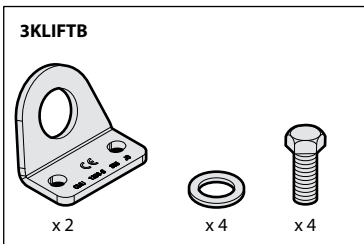
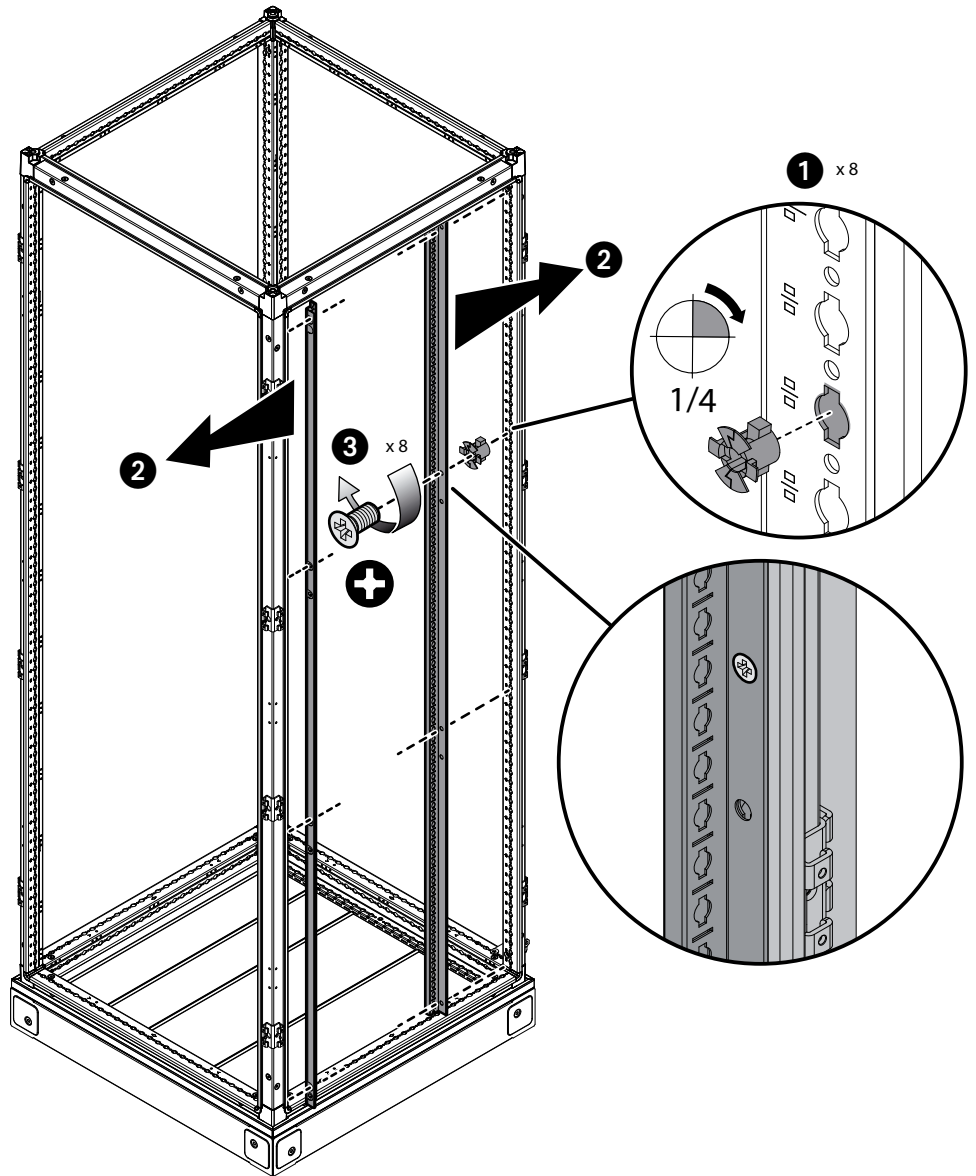
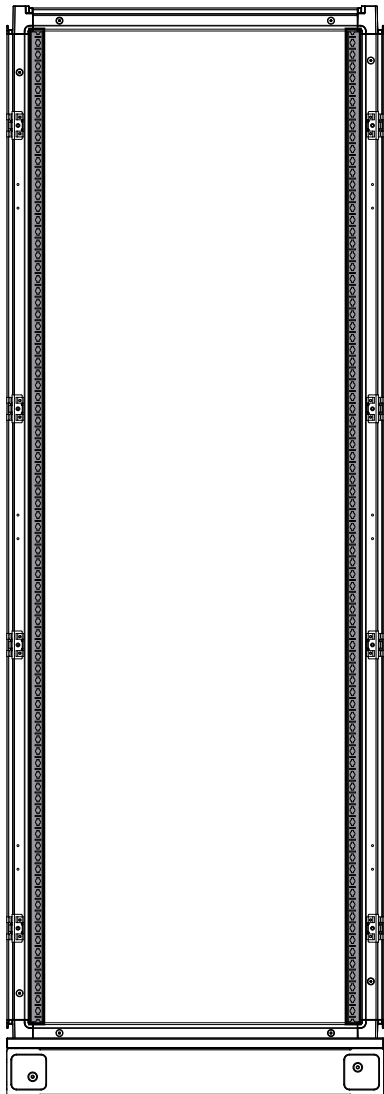
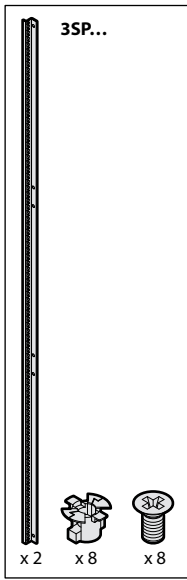
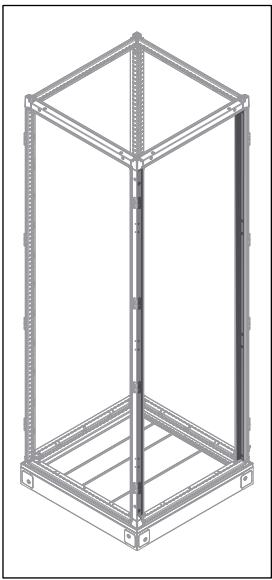


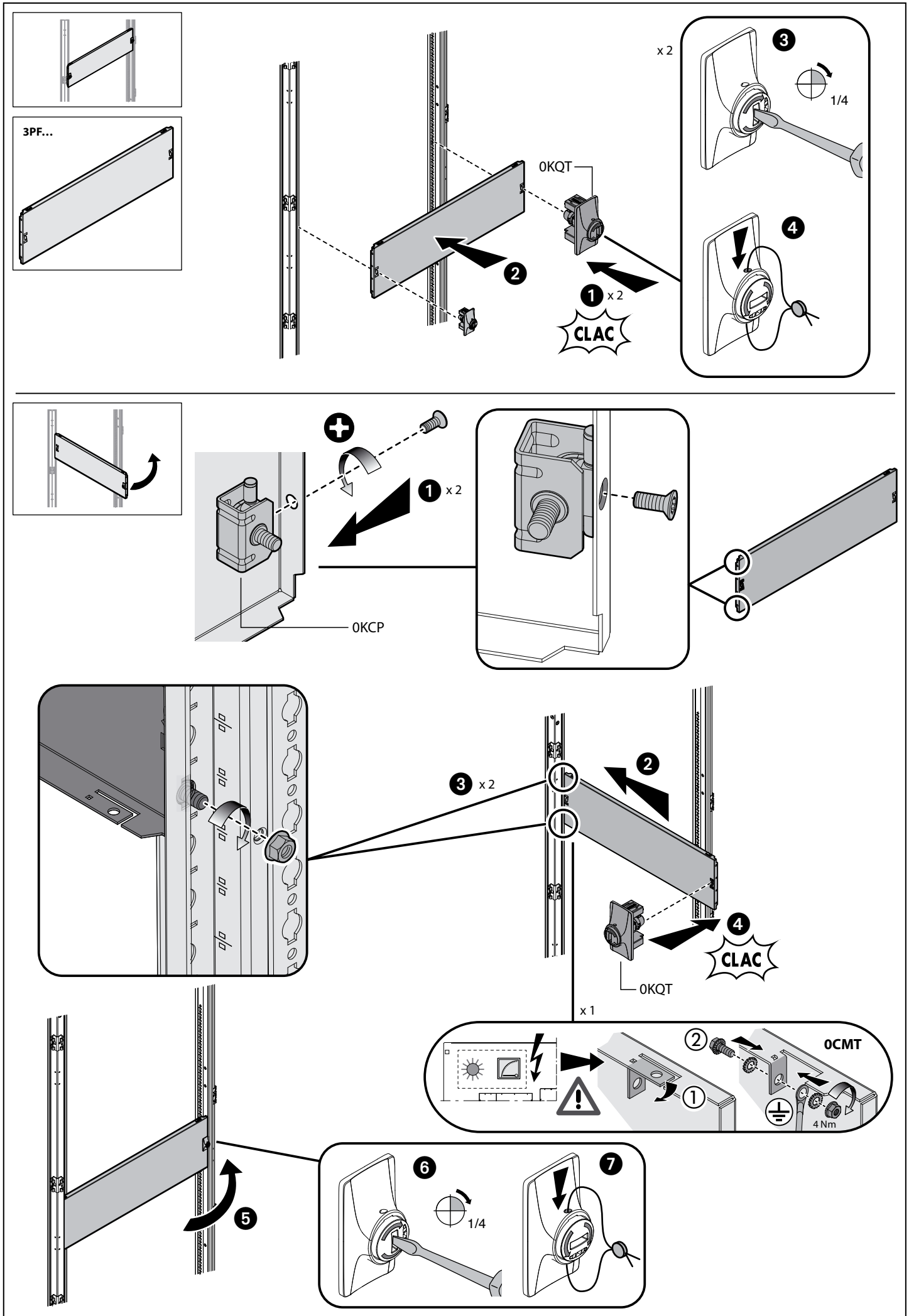
3KJLATI

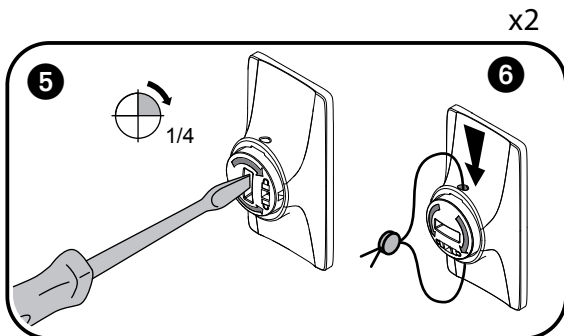
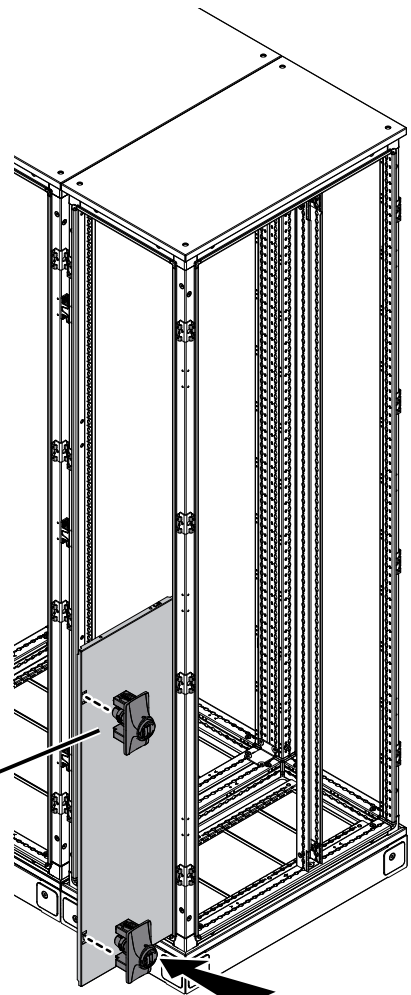
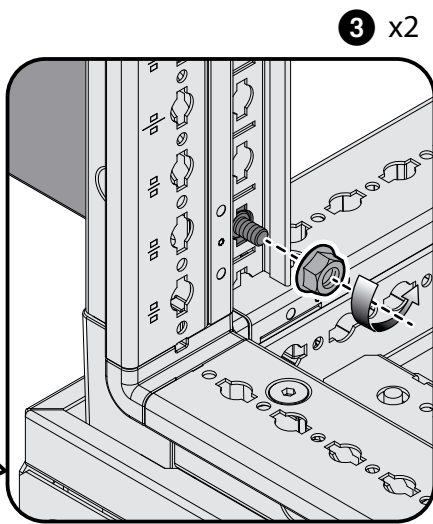
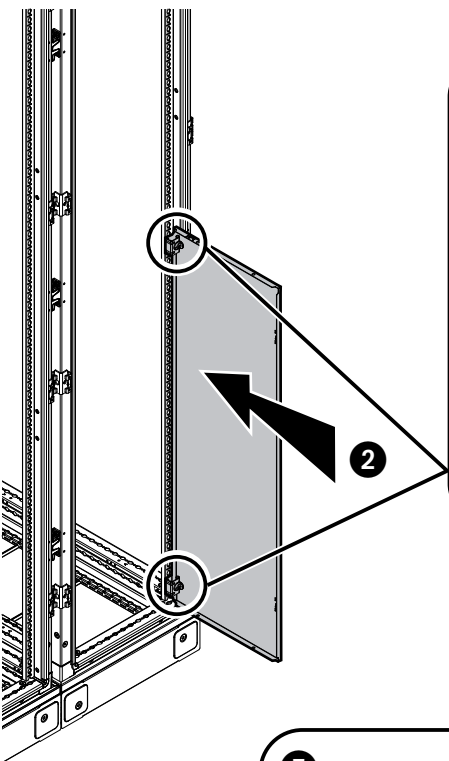
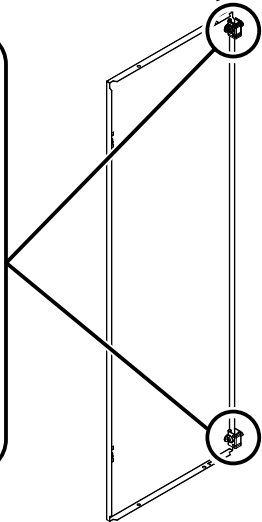
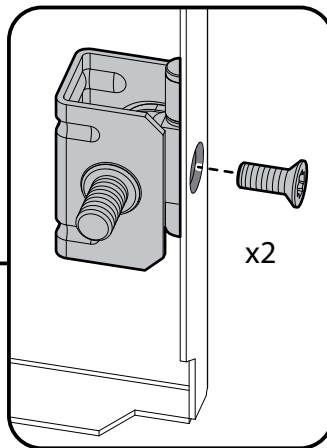
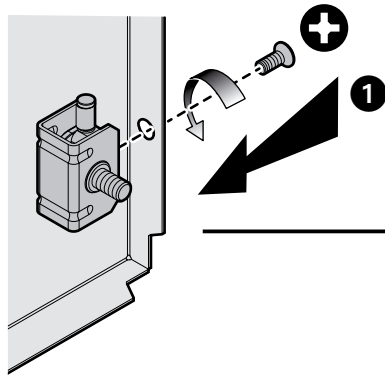
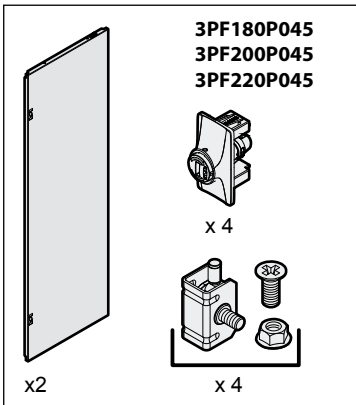
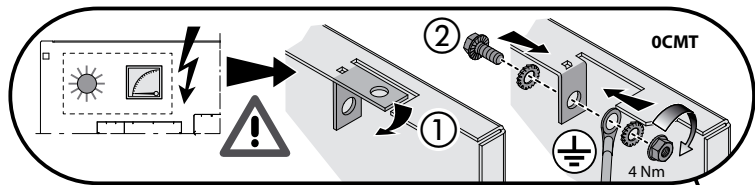
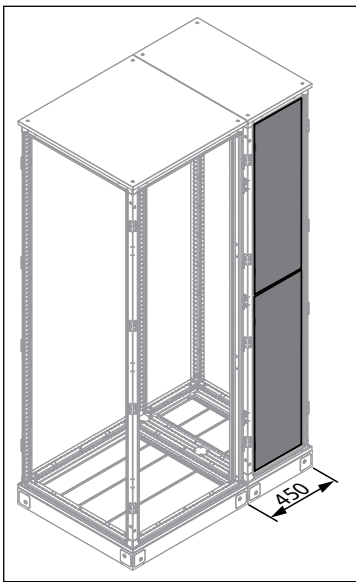


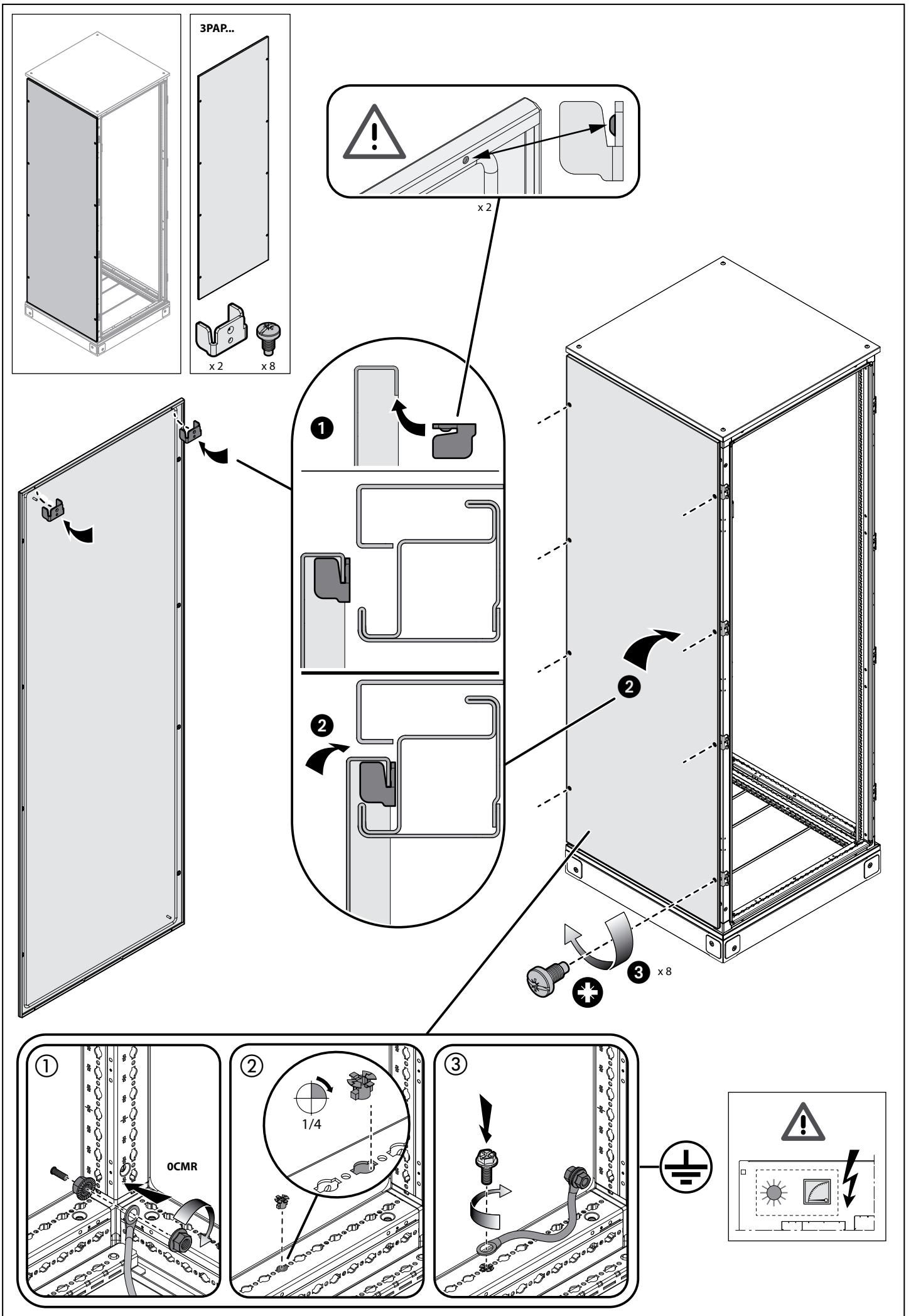
3KLIFTB



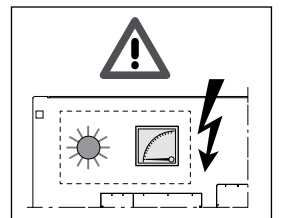
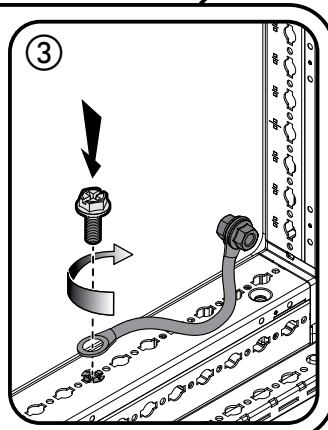
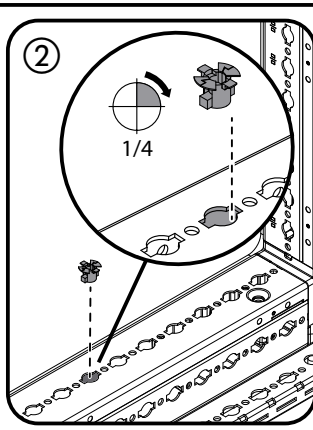
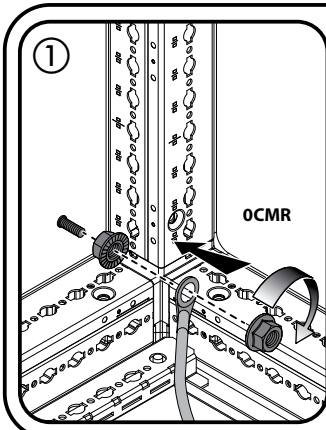
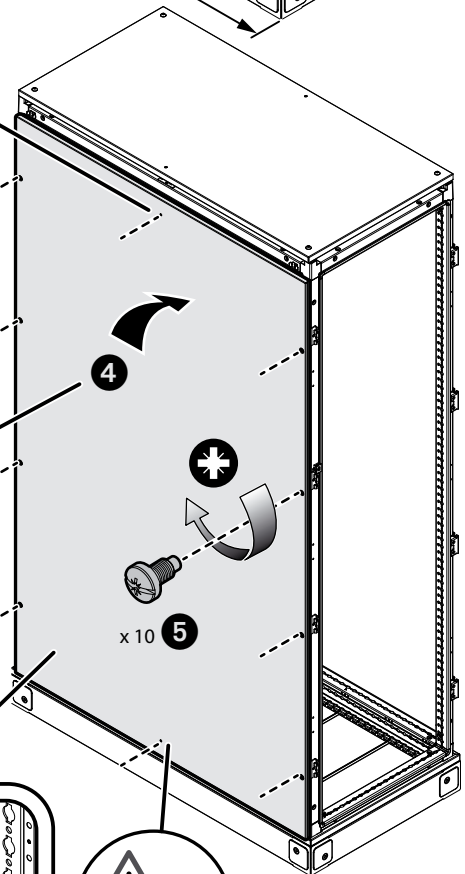
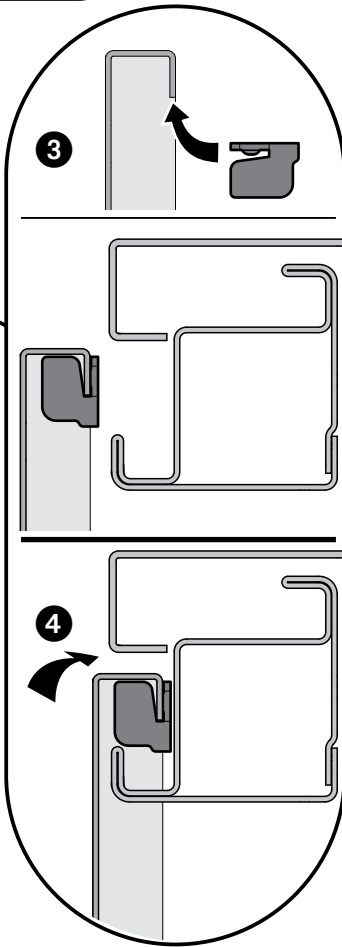
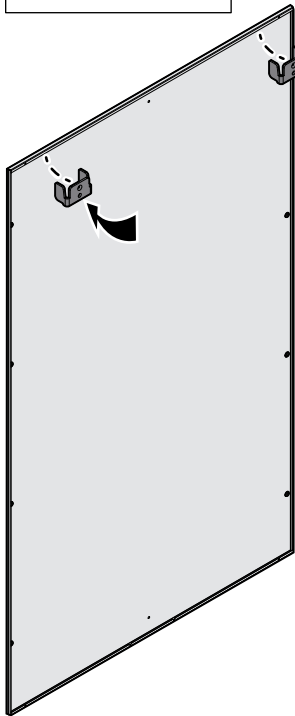
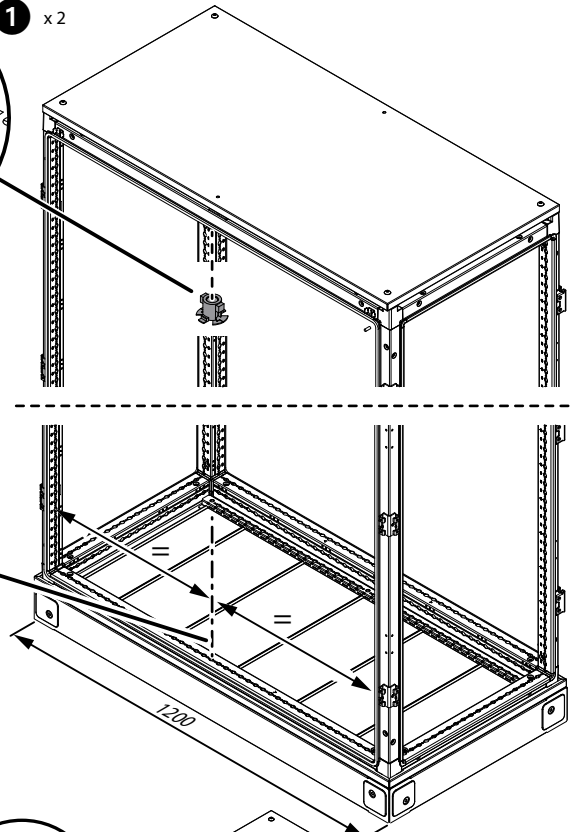
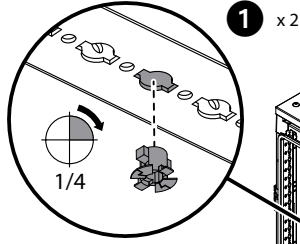
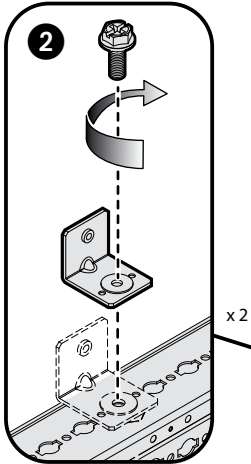
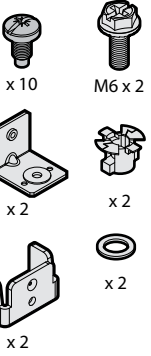
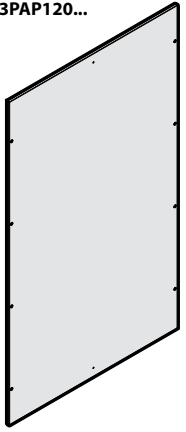


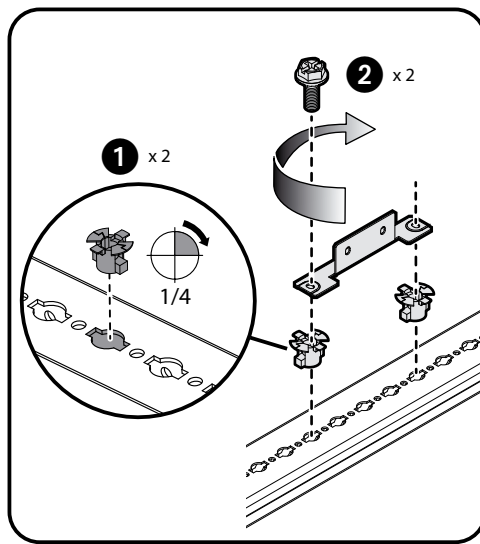
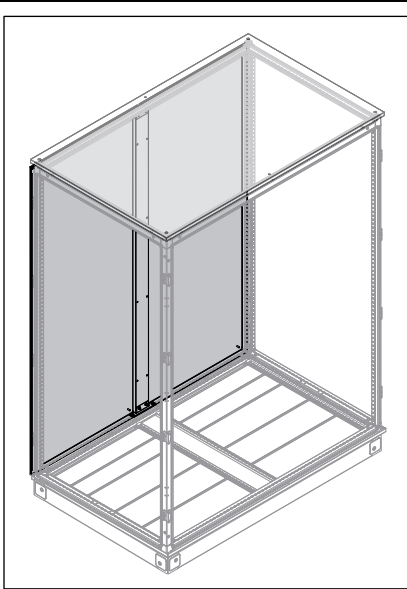




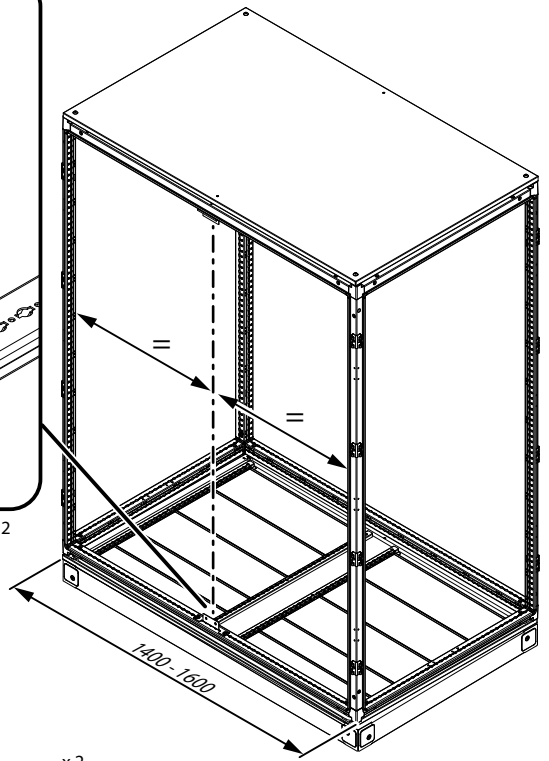


3PAP120...

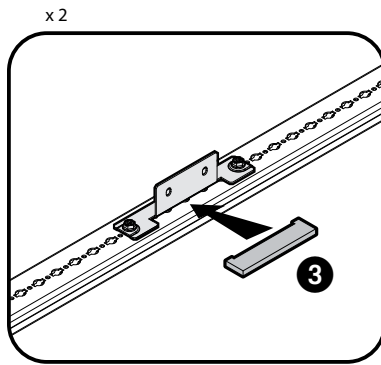
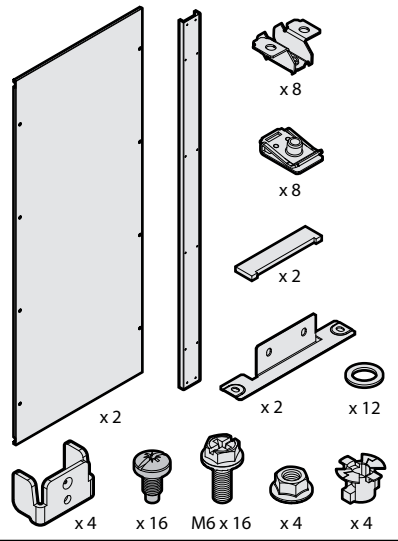




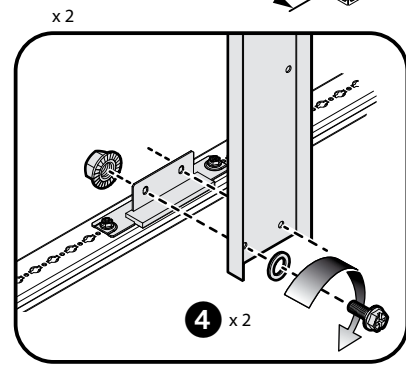
x 2



3PAP140...160

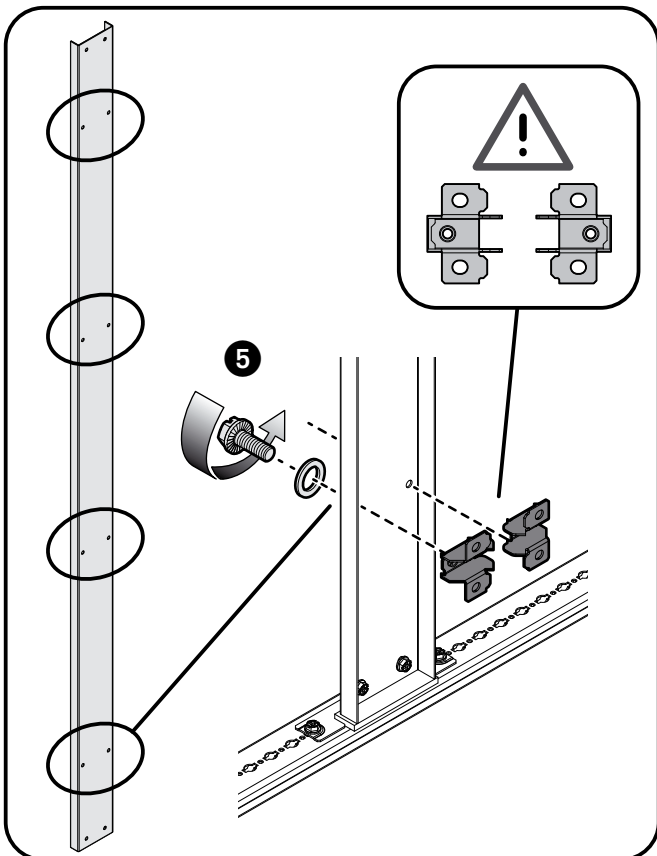


x 2

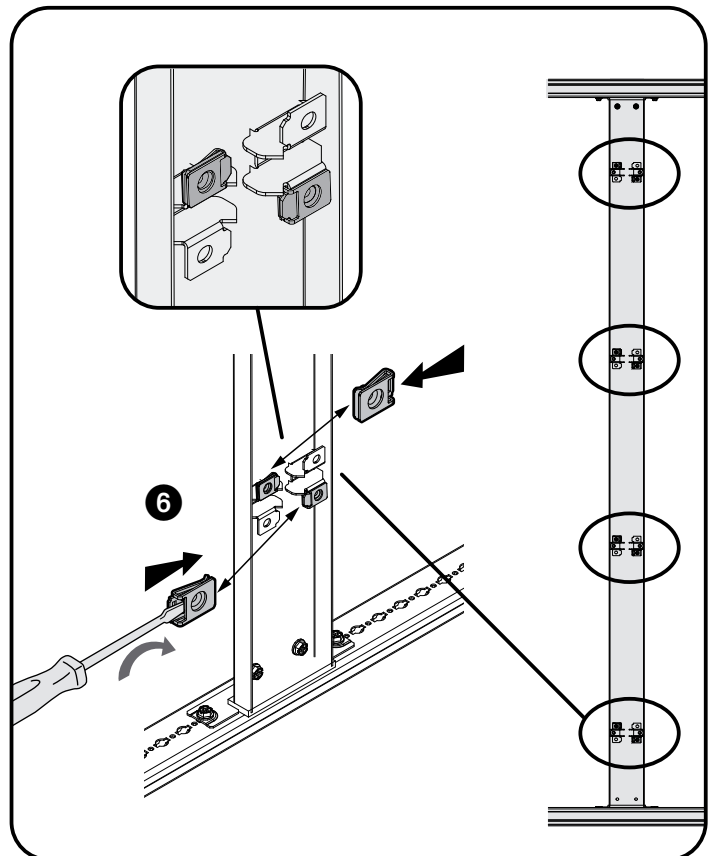


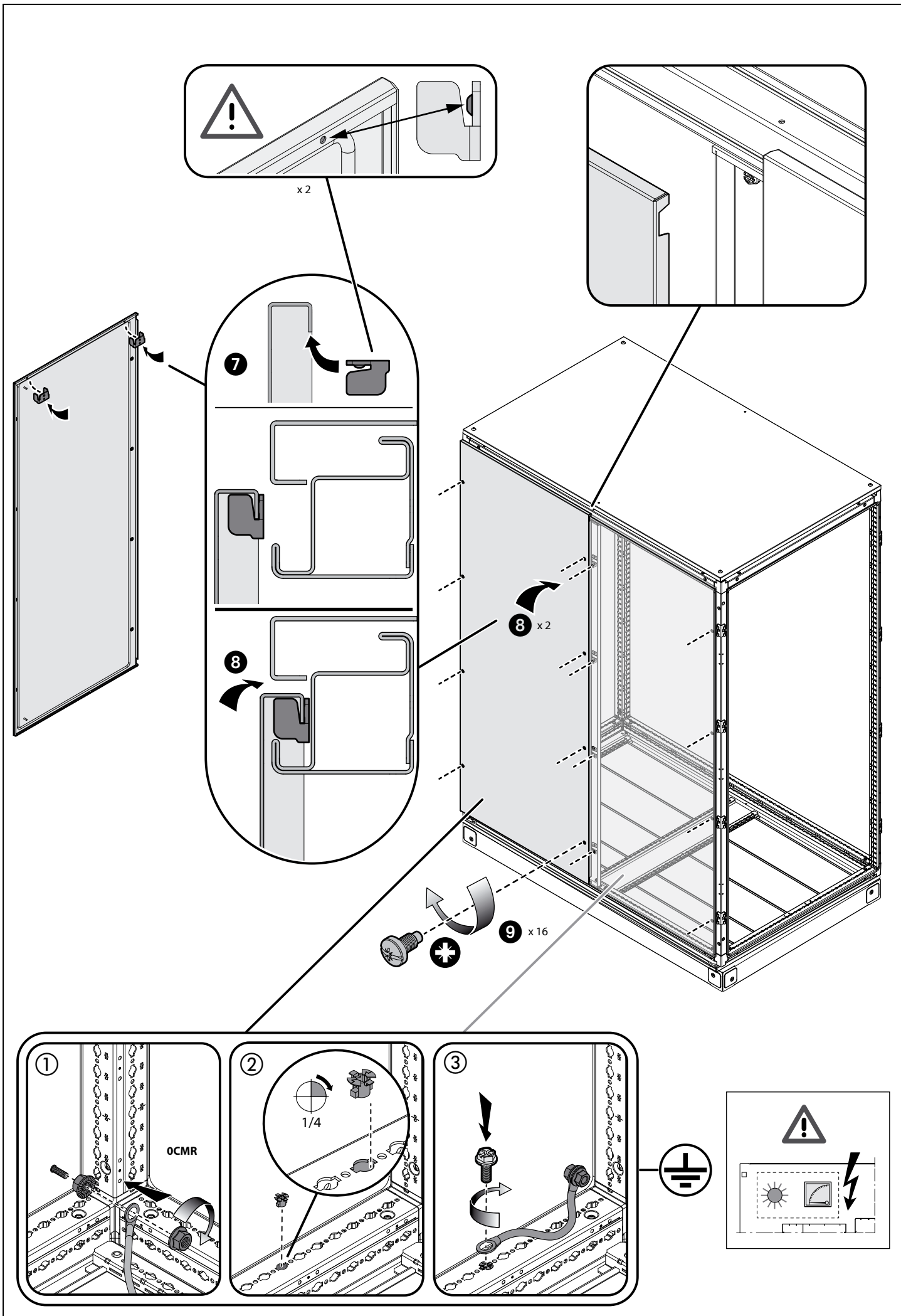
x 2

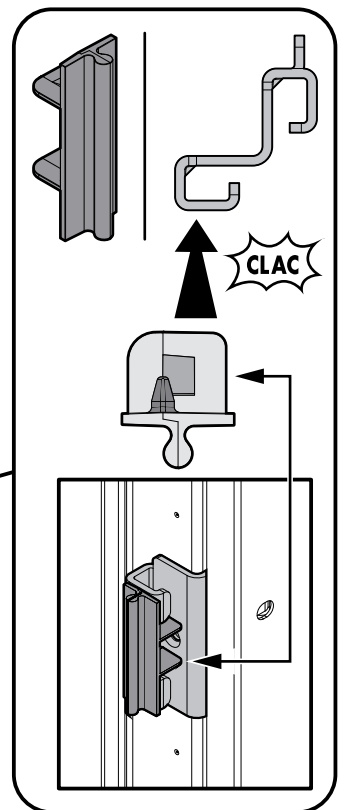
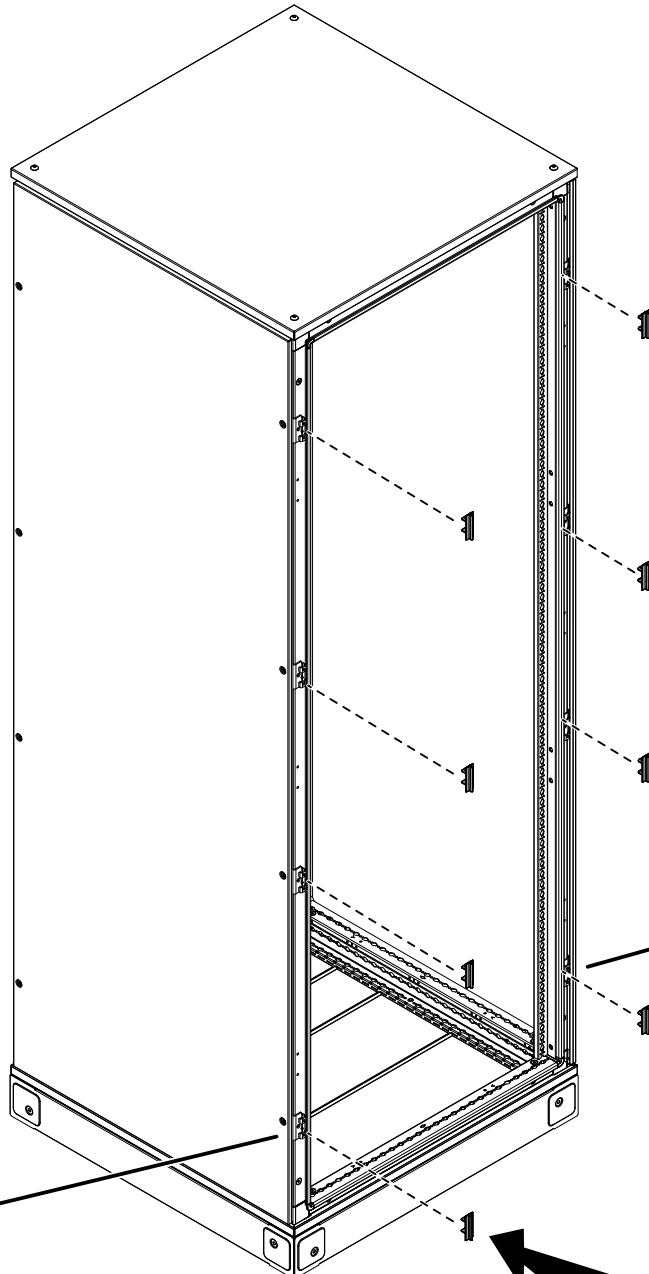
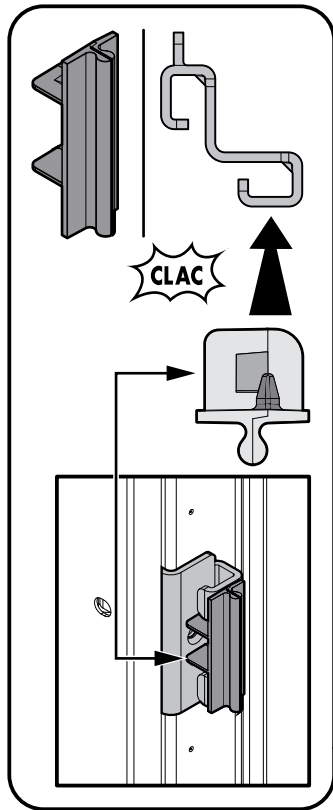
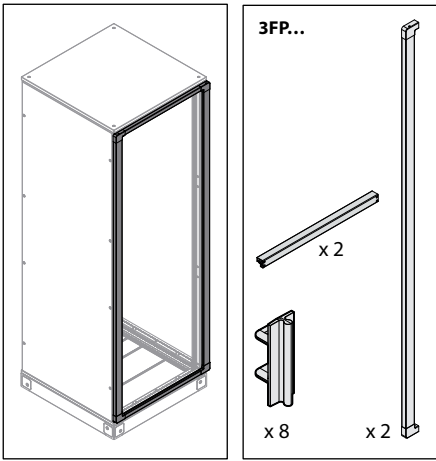
x 8



x 8







CLAC 1 x 8

