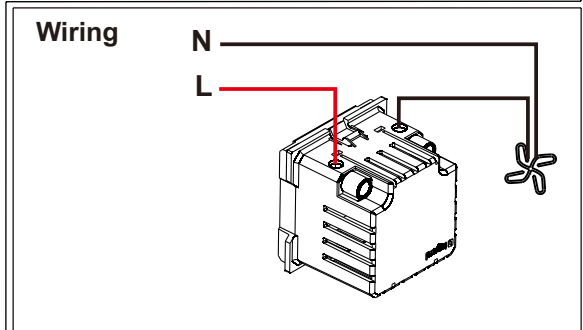


Characteristics

	-10°C...+70°C	0°C...+35°C	≥35mm	200-240V~ 50/60Hz	8 mm 1~ 2.5 mm ²

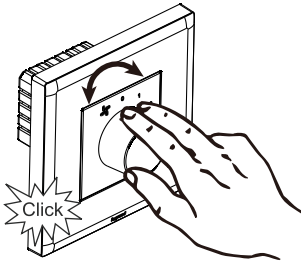
Max	100VA/100W



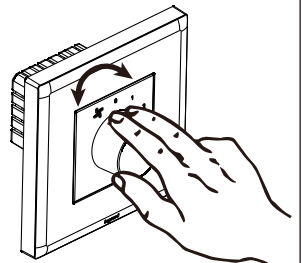
Operation



OFF ON



Min Max



Fixing

