

	29 V \approx
	12 mA max.
	2 x 2,5 mm ²
x =	x = 4
	4 x (\varnothing 0,6 mm < < \varnothing 0,8 mm)
	-5°C \rightarrow +45°C

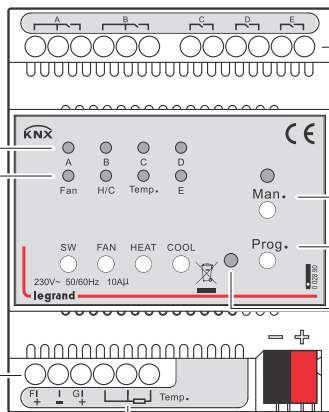
A - E

	(M)	230 V~	2300 VA	10A
--	-----	--------	---------	-----

LED display: A, B, C, D, E display switch output status;
 Fan red -- the fan speed 1;
 Fan green --the fan speed 2;
 Fan blue-- the fan speed 3;
 H/C red -- heating;
 H/C blue -- cooling;
 Temp. On -- local temperature error.

Operate buttons. From left to right: Switch control, Fan speed, Heating, Cooling.

0-10V outputs: via the parameters can be set as the fan or valve outputs.



5 fold relay outputs: via the parameters can be set as fan speeds(A/B/C), valves (D for Heating, E for Cooling)or general switch outputs.

Man./Auto. operation switch button: switch to Man. operation via long press 1s, and the LED is on in the front of button.

Programming button

Programming LED: Red LED for assigning the physical address,Green LED for displaying application layer running normally.

Three-wires PT1000 temperature sensor.

