

### ⚠ Safety instructions

GB CA IN IE US SG

This product should be installed in compliance with installation rules, preferably by a qualified electrician.

Before carrying out the installation, read the instructions and take account of the product's specific mounting location.

Do not open up, dismantle, alter or modify the device except where specifically required to do so by the instructions.

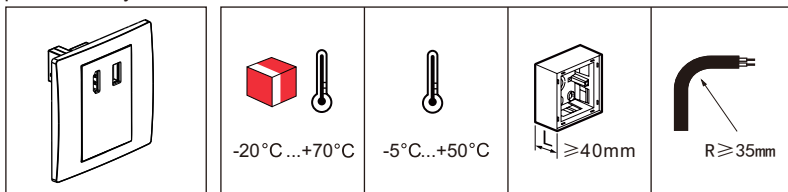
All Legrand products must be opened and repaired exclusively by personnel trained and approved by Legrand. Any unauthorised opening or repair completely cancels all liabilities and the rights to replacement and guarantees.

Use only Legrand brand accessories.

### Presentation

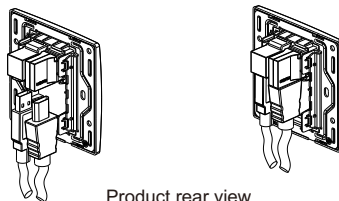
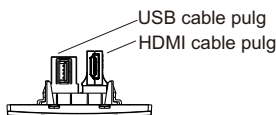
The product is suitable for home, hotel, education, entertainment, data transmission, audio and video and HD video output port.

Please do not use the product in too harsh conditions such as outdoor, bath room and other humid places, easy to cause failure.



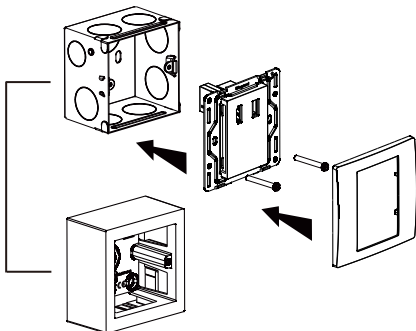
### Wiring

- 1 Please align the standard HDMI cable plug or USB plug with the corresponding module socket, and make sure there is no loosening before installing screws and plate, so as to avoid product transmission problems caused by irregular installing.
- 2 HDMI socket product transmission distance shall not exceed 15M.
- 3 The following connectors with standard plugs shall not have a bending radius less than 35mm.



Product rear view

### Installation



### Operation

- 1 Please use the standard HDMI plug and USB plug to connect correctly as shown below.
- 2 HDMI socket products only support HDMI 1.4 and the following specifications compatible with product applications.
- 3 USB socket products only support USB 2.0 and the following specifications compatible with product applications.

