

12V KEYCARD SWITCH

2 810 22xx

xx:MW MB MG DS DB CH BA BB BC

2 810 22xx yy

yy:MY SG



Safety instructions

GB CA IN IE US SG

This product should be installed in compliance with installation rules, preferably by a qualified electrician.

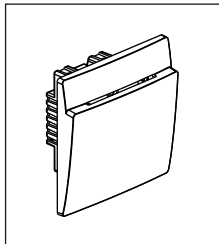
Before carrying out the installation, read the instructions and take account of the product's specific mounting location.

Do not open up, dismantle, alter or modify the device except where specifically required to do so by the instructions.

All Legrand products must be opened and repaired exclusively by personnel trained and approved by Legrand. Any unauthorised opening or repair completely cancels all liabilities and the rights to replacement and guarantees.

Use only Legrand brand accessories.

Presentation



-20°C...+70°C



-5°C...+35°C



$\geq 40\text{mm}$



DC12V



8 mm

1...4mm²

For normal keycard switch, use normal card.

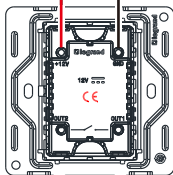
For RF keycard switch, the card should comply with ISO-14443A protocol (Mifare_UltraLight; Mifare_One_S50; Mifare_One_S70; Mifare_Pro; Mifare_DESFire and so on)

Size: 85.5mmX54mm

Wiring

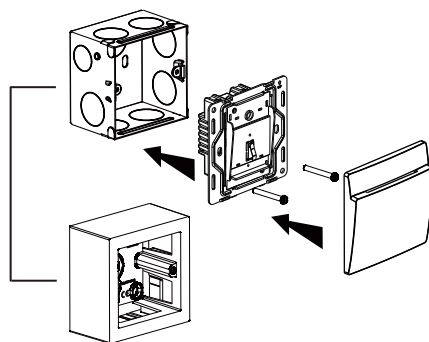
GND 

+12V 

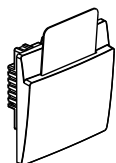


When card inserted OUT1 and OUT2 will short.

Installation



Operation



OFF



ON

Insert card into the slot and then power on (The card is not included in the KeyCard Switch RFID product);

Remove this card, then the power will be off after about 30 seconds.