

**⚠ Safety instructions**

GB CA IN IE US SG

When use this product, please install a fuse or protective device to protect the product in the line of COM input, the protective device should be equal to 16A/100~240V.

This product should be installed preferably by a qualified electrician. Incorrect installation and use can entail risk of electric shock or fire. Before carrying out the installation, read the instructions and take account of the product's specific mounting location.

Do not open up the device. All Legrand products must be exclusively opened and repaired by personnel trained and approved by LEGRAND.

Any unauthorized opening or repair completely cancels all liabilities and the rights to replacement and guarantees.

Only use genuine accessories.

**Presentation**

	 -20°C...+70°C	 -5°C...+35°C	 ≥40mm	 100-240V~ 50/60Hz	 8 mm 1...4mm
--	-------------------	------------------	-----------	--------------------------	---------------------

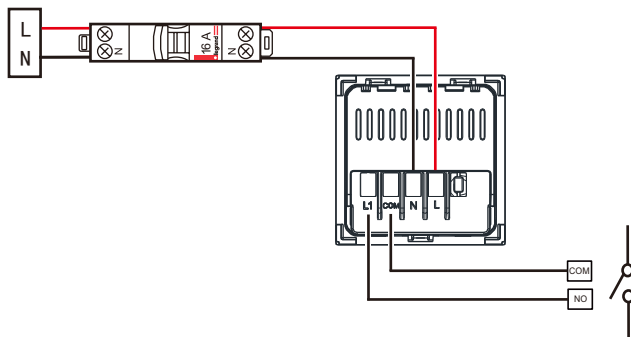
**Technical characteristics**

240V~	3000W	2000VA	2000VA	600W	600W	500W	8A(PF≥0.6)
100V~	1250W	800VA	800VA	250W	250W	300W	

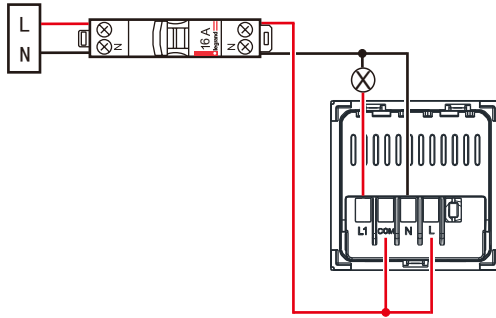
- ❶ Incandescent lamp
- ❷ Electronic step-down converter for extra low-voltage incandescent lamps(e.g.halogen)
- ❸ Iron core transformer for extra low-voltage incandescent lamps(e.g.halogen)
- ❹ Fluorescent lamp
- ❺ Self-ballasted fluorescent compact lamp(CFL)
- ❻ Self-ballasted LED lamp
- ❼ Motor

**Wiring**

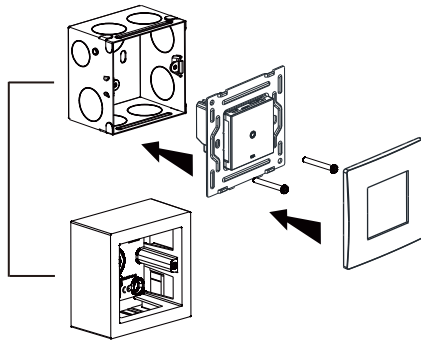
Dry contact



One way



## Installation



## Operation

