

1G 6A TOUCH BELL PUSH

2 812 40xx

xx:MW MB MG DS DB CH BA BB BC

2 812 40xx yy

yy:MY SG



⚠ Safety instructions

GB CA IN IE US SG

When use this product, please install a fuse or protective device to protect the product in the line of COM input, the protective device should be equal to 10A/100~240V.

This product should be installed preferably by a qualified electrician. Incorrect installation and use can entail risk of electric shock or fire.

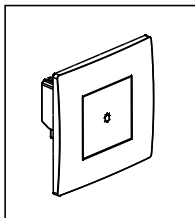
Before carrying out the installation, read the instructions and take account of the product's specific mounting location.

Do not open up the device. All Legrand products must be exclusively opened and repaired by personnel trained and approved by LEGRAND.

Any unauthorized opening or repair completely cancels all liabilities and the rights to replacement and guarantees.

Only use genuine accessories.

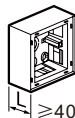
Presentation



-20°C...+70°C



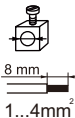
-5°C...+35°C



≥40mm



100~240V~
50/60Hz



8 mm
1...4mm²

Technical characteristics

	①	②	③	④
240V~	1440W	200W	200W	200W
100V~	600W	100W	100W	100W

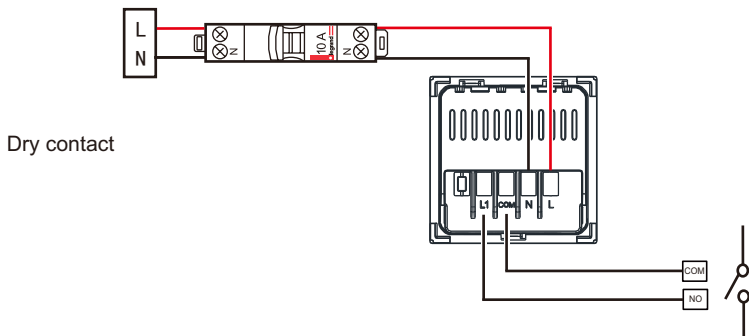
① Incandescent lamp

② Electronic triggered with tunes

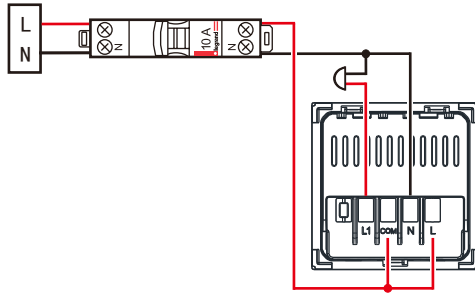
③ Electric magnetic tong bell (ding dong)

④ Electric Buzzer-Vibrating

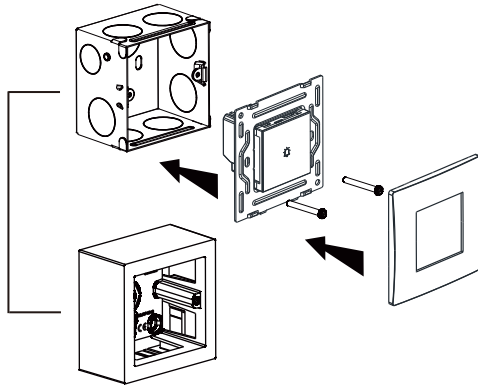
Wiring



One way



Installation



Operation

