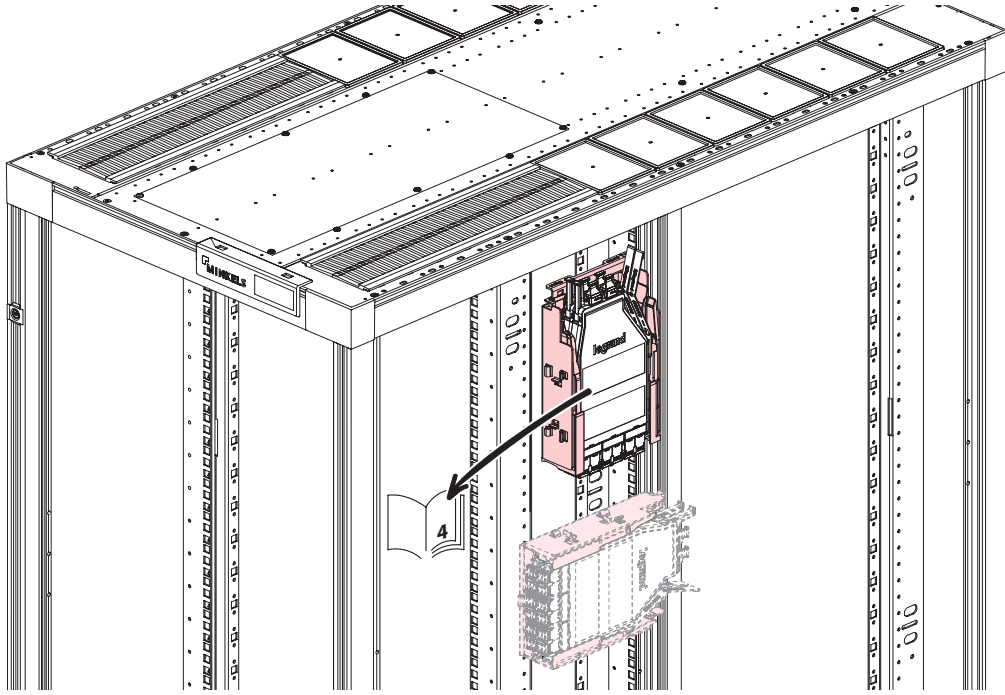
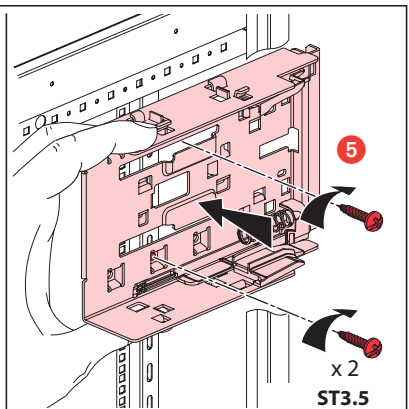
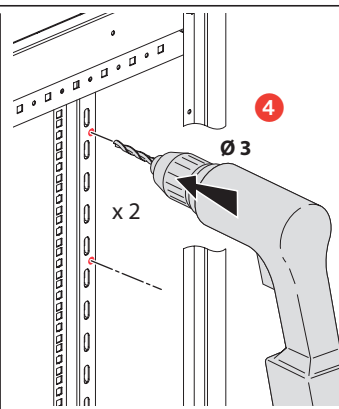
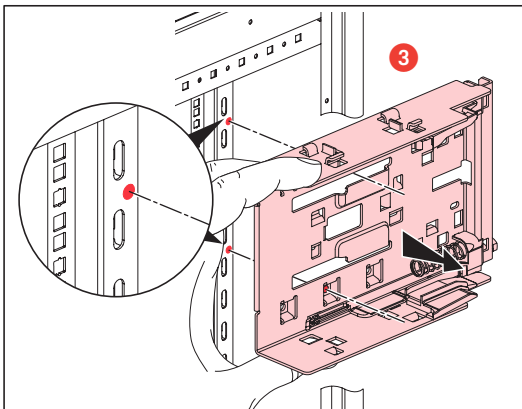
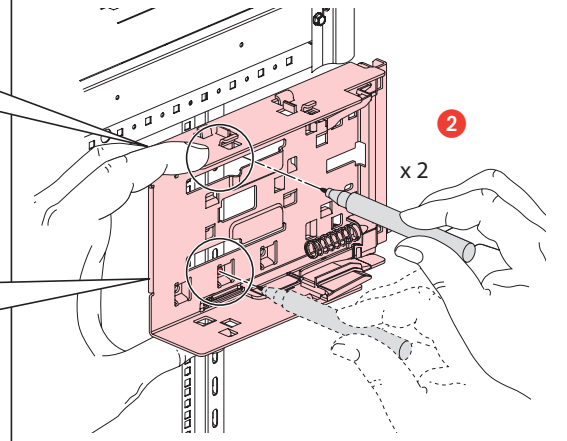
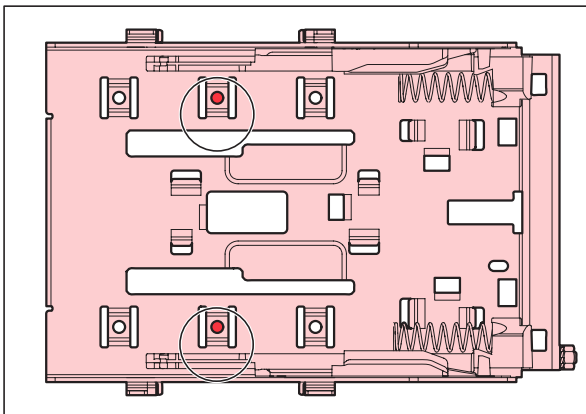
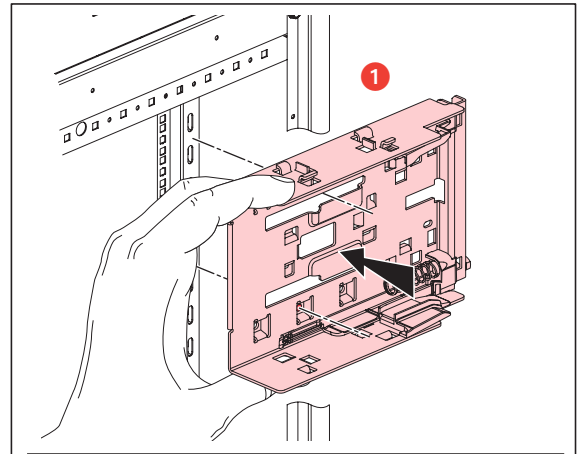
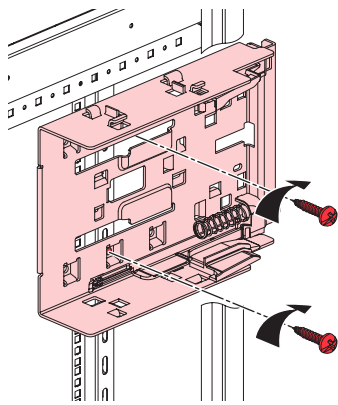
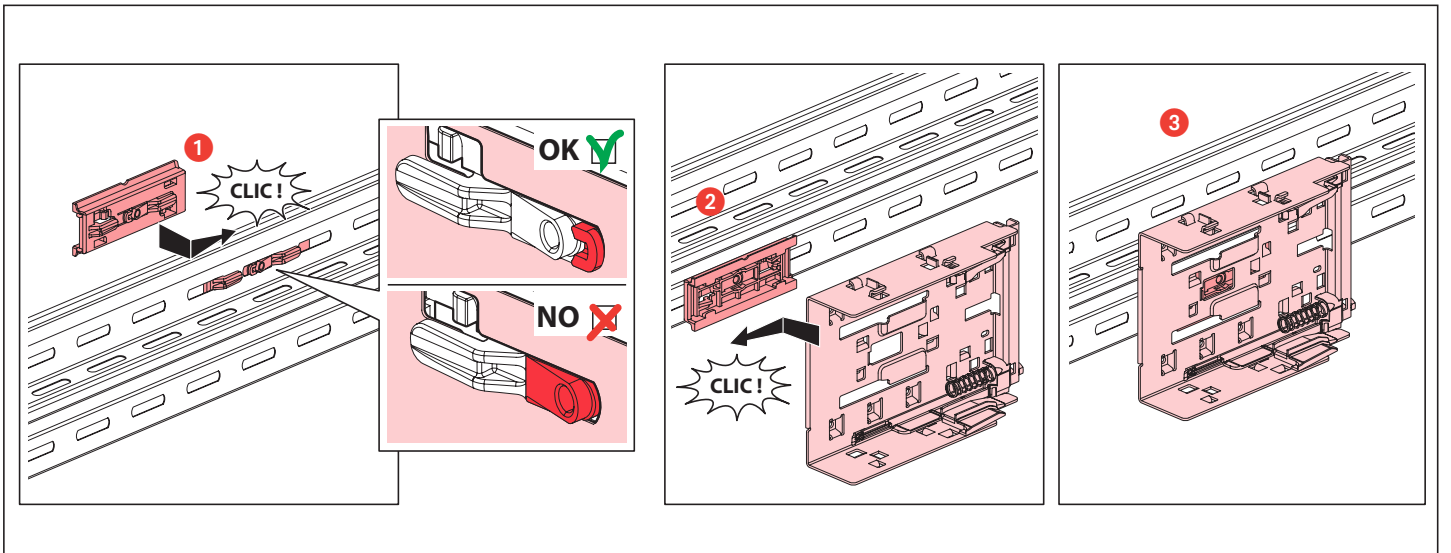
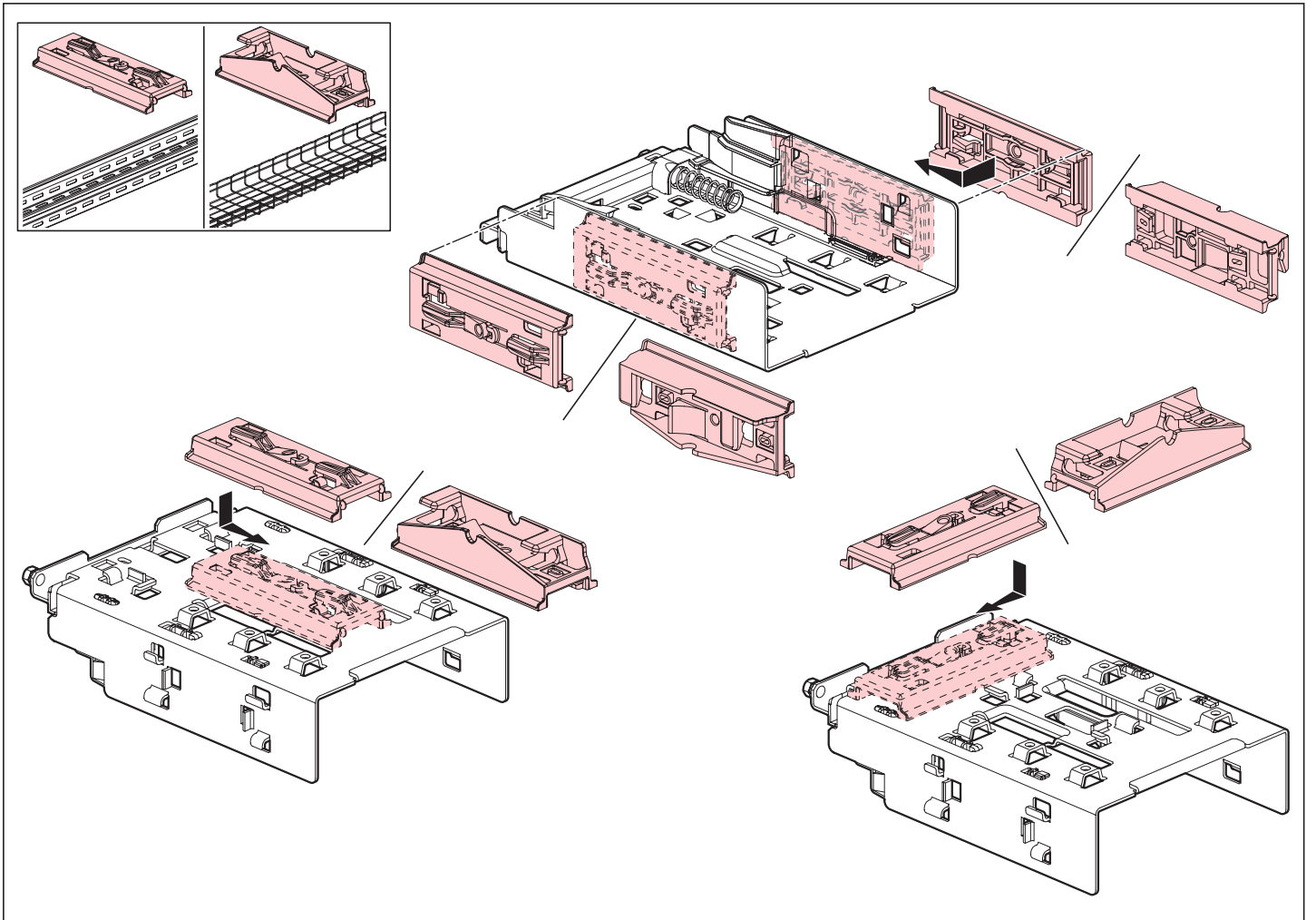
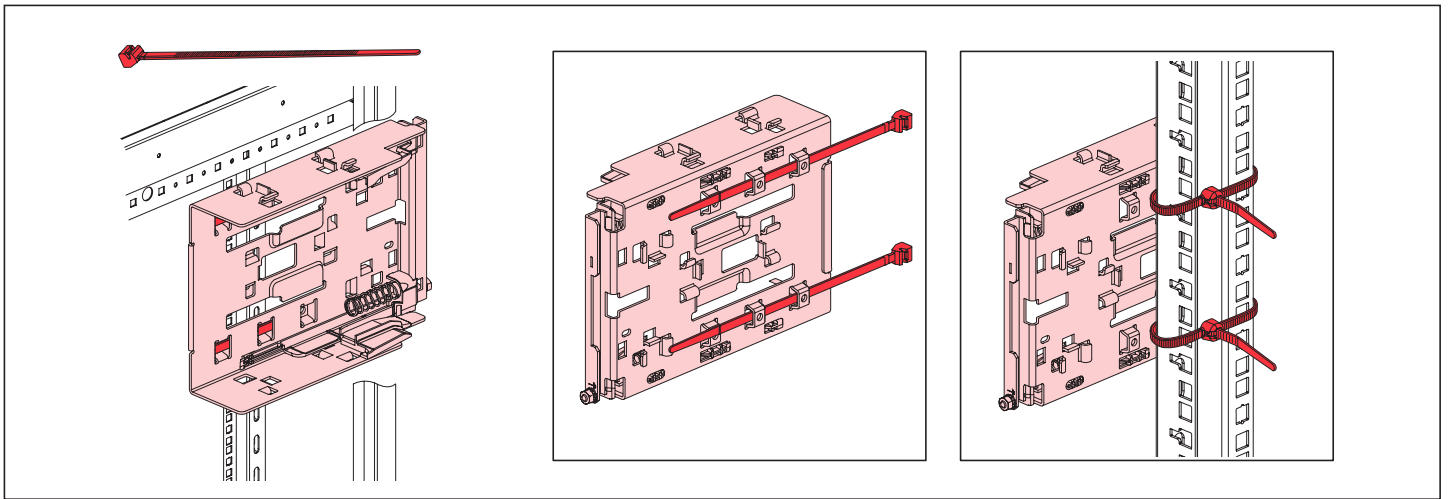


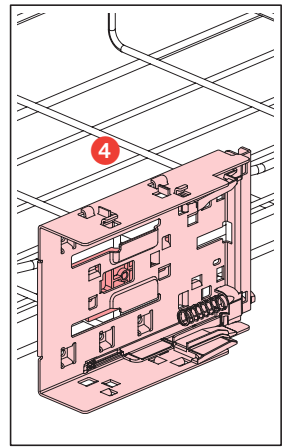
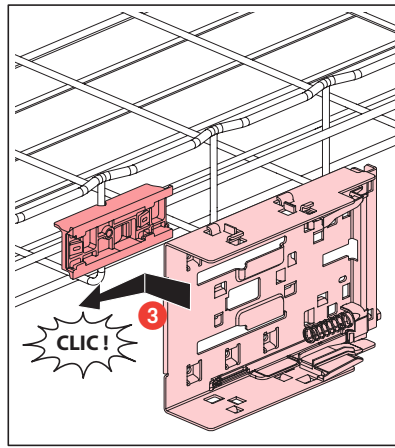
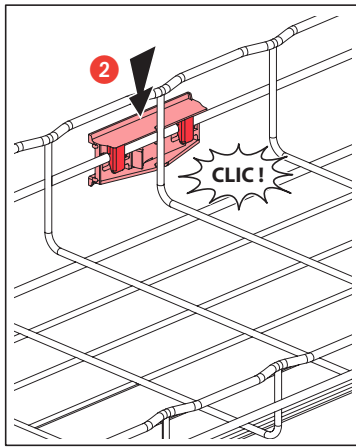
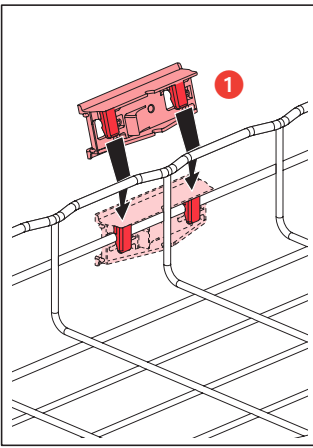
Minkels only



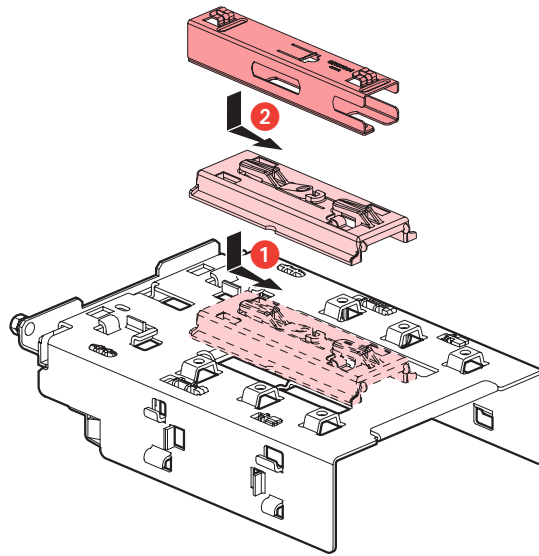
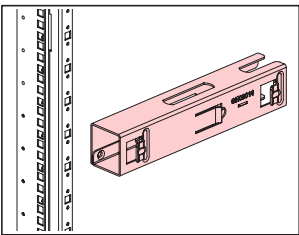
2 x ST3.5



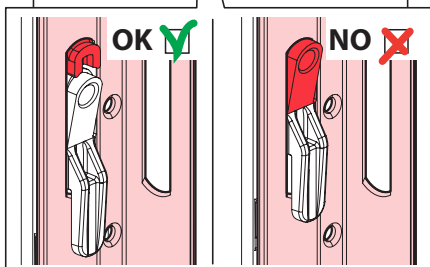
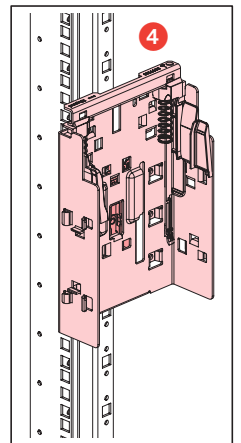
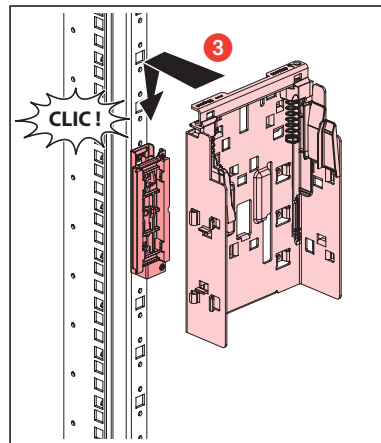
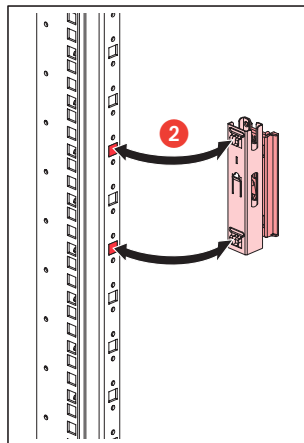
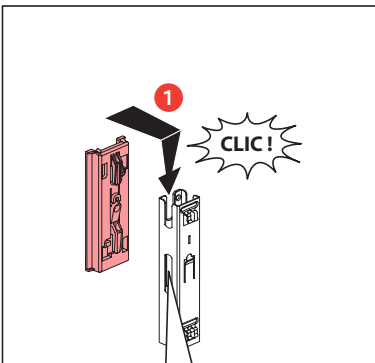
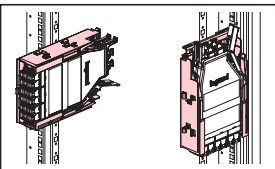


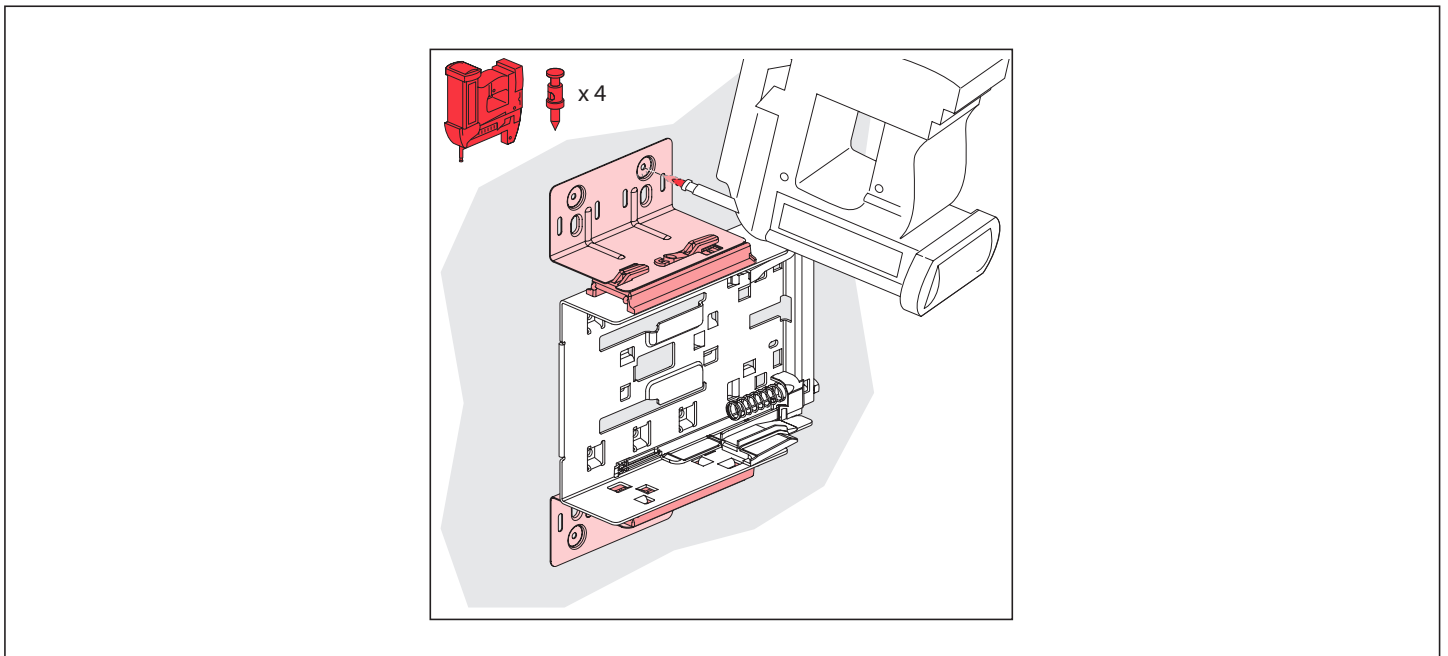
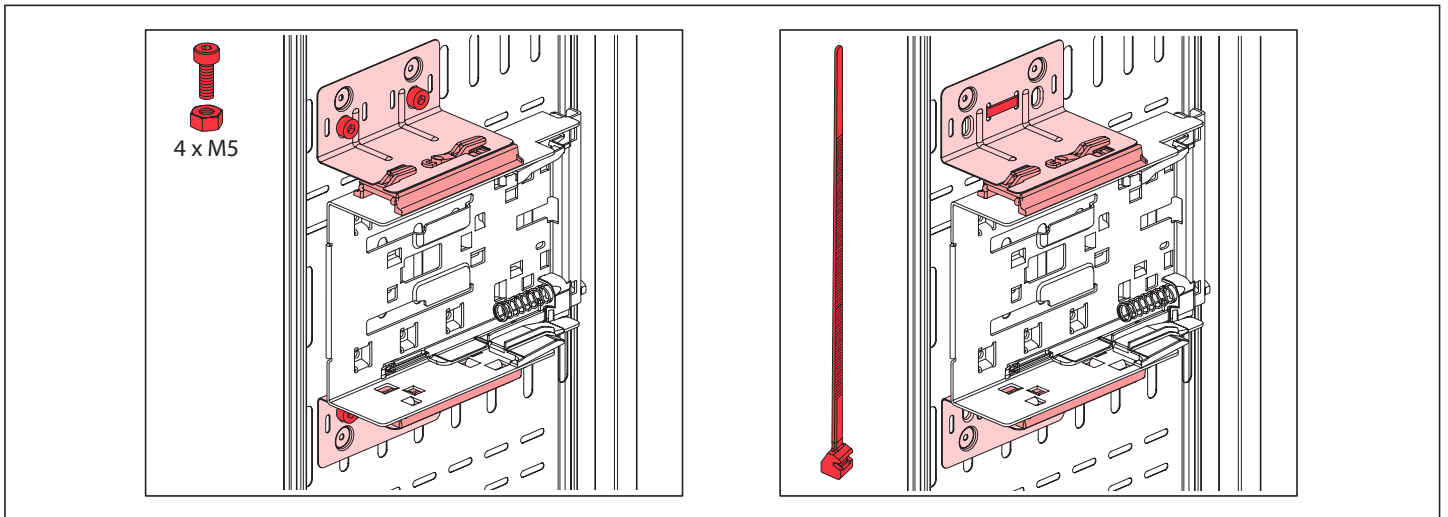
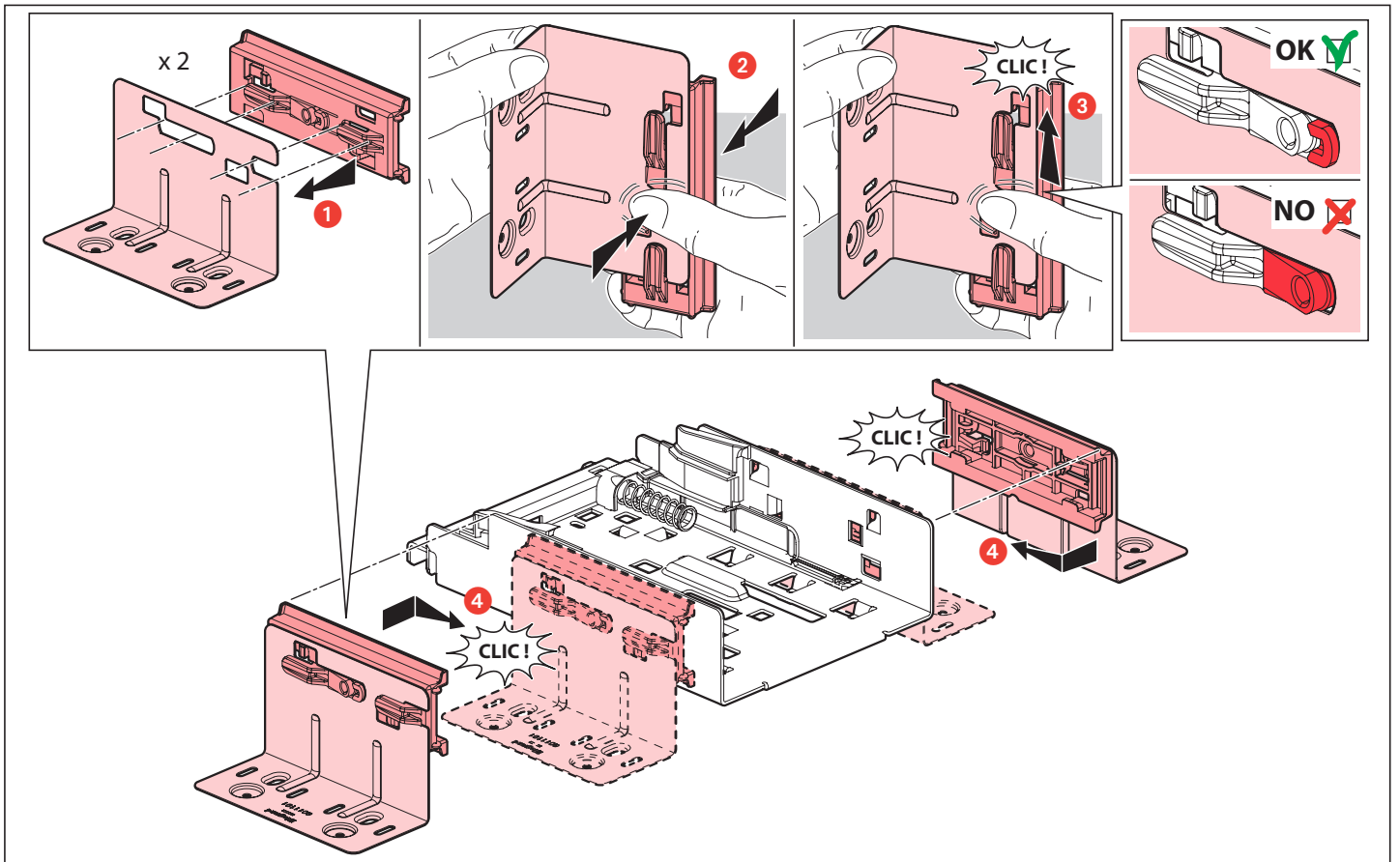


Minkels only



Minkels only



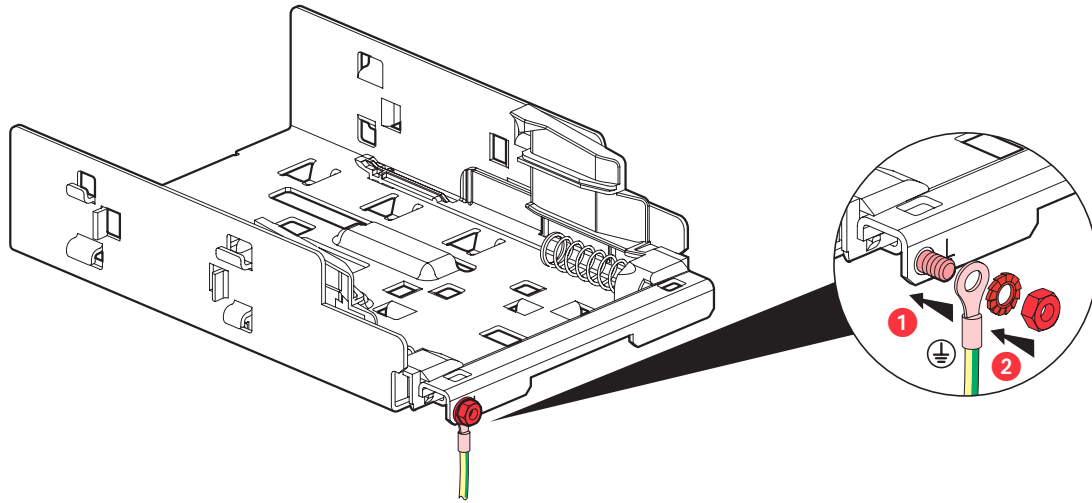


- Mise à la terre
- Verbinding met de aarde
- Grounding

- Erdung
- Puesta a tierra
- Ligação à terra

- Γείωση
- Заземление
- Messa a terra

- 接地
- تأريض

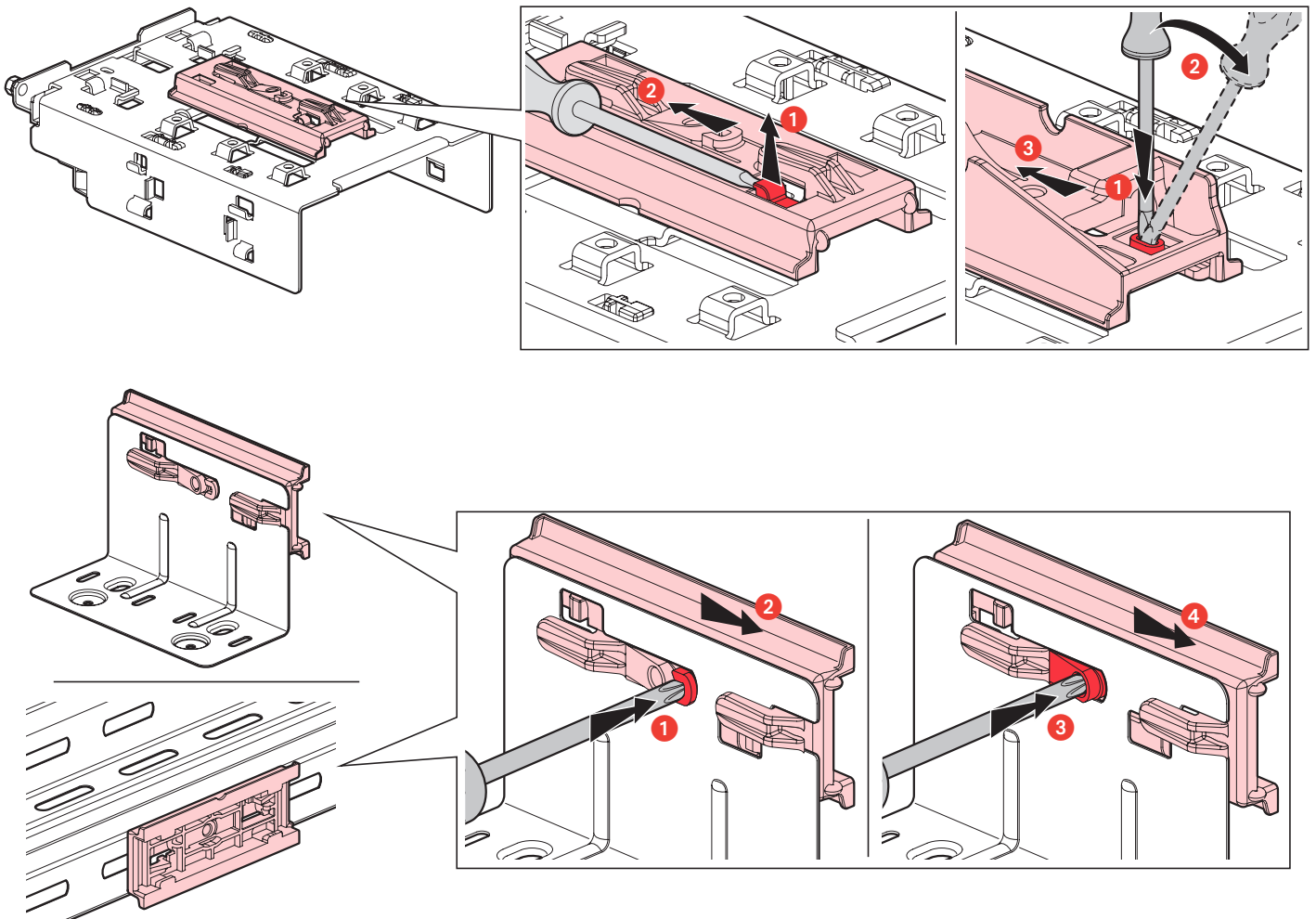


- Démontage
- Demontage
- Removal

- Ausbau
- Desmontaje
- Desmontagem

- Αφαίρεση
- демонтаж
- Smontaggio

- 拆卸
- التفكيك



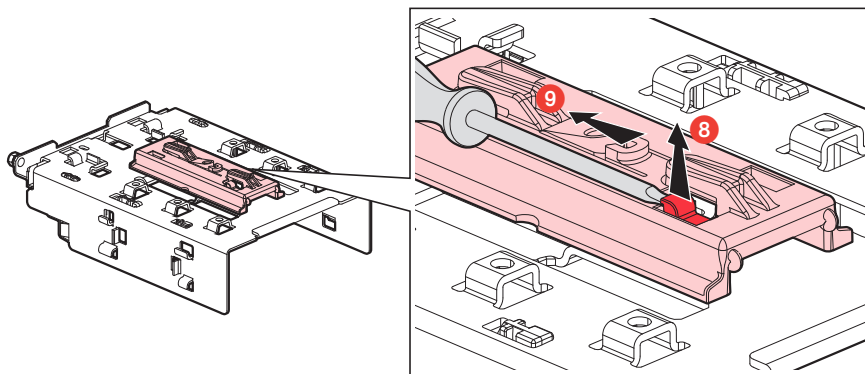
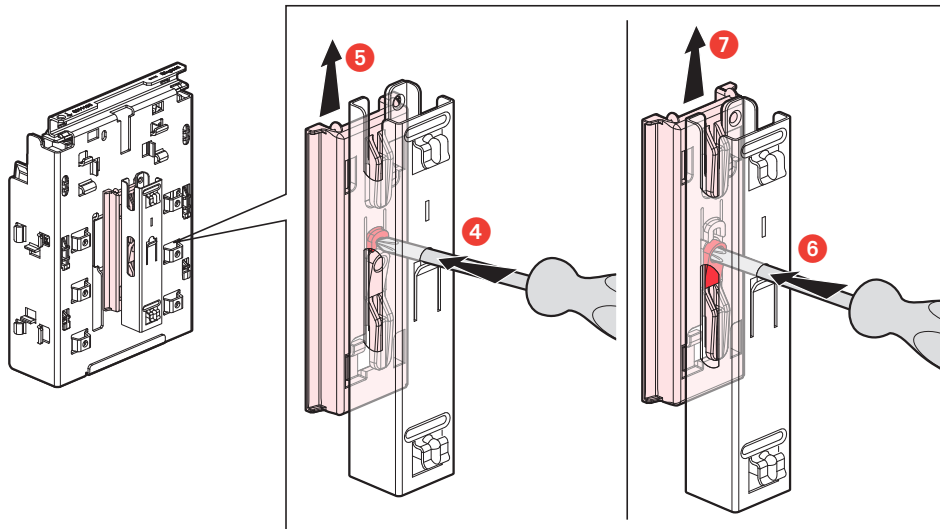
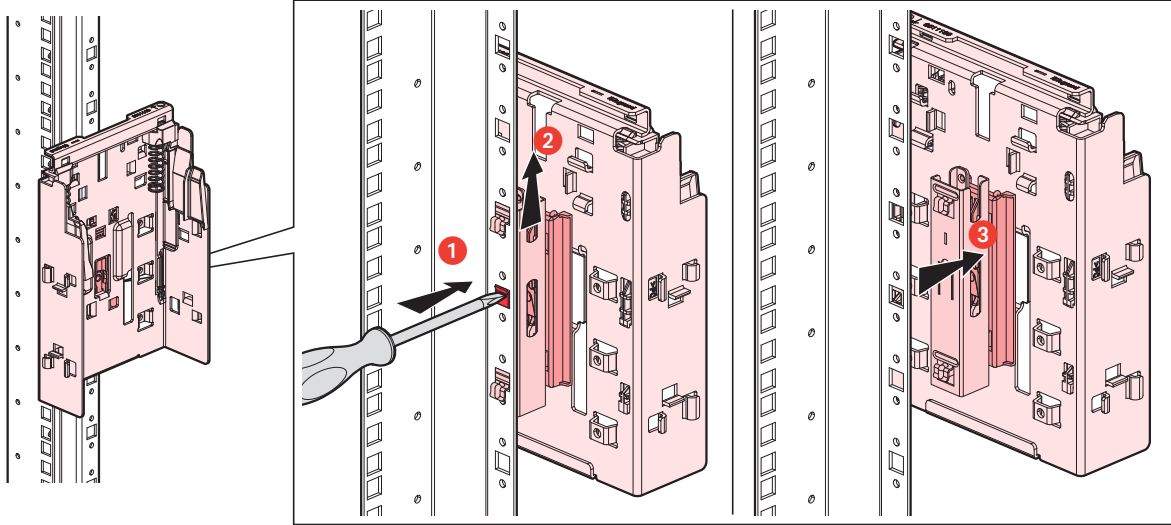
- Démontage
- Demontage
- Removal










- Ausbau
- Desmontaje
- Desmontagem

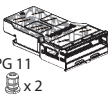


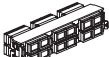


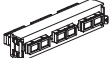
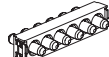
- Αφαίρεση
- демонтаж
- Smontaggio

- 拆卸
- التفكيك

Minkels only



|         |               |                |   | Universal polarity |           |               |            |           | A/C polarity |           |                  |            |           | HD support for cassettes  | Accessoires   |
|---------|---------------|----------------|---|--------------------|-----------|---------------|------------|-----------|--------------|-----------|------------------|------------|-----------|---|---|
|         |               |                |   | OS2/UPC            | OS2/APC   | OM4 Aqua      | OM4 Violet | OM5       | OS2/UPC      | OS2/APC   | OM4 Aqua         | OM4 Violet | OM5       |   |   |
| Base 12 | Slim cassette | 12F MTP-LC     |  | 260021             | -         | 260022        | 260023     | 260024    | On-demand    | -         | On-demand        | On-demand  | On-demand | 032138<br> | 032139<br> |
|         |               | 2x 12F MTP-SN  |  | 260025             | -         | 260026        | -          | 260027    | On-demand    | -         | On-demand        | -          | On-demand |   |   |
|         |               | 2x 12F MTP-MDC |  | On-demand          | -         | On-demand     | -          | On-demand | -            | -         | -                | -          | -         |   |   |
|         | HD cassette   | 12F MTP-LC     |  | 260050             | On-demand | 260048        | -          | -         | On-demand    | On-demand | On-demand        | -          | -         | 260054<br> | -   |
|         |               | 2x 12F MTP-LC  |  | 260051             | On-demand | 260049        | -          | -         | On-demand    | On-demand | On-demand        | -          | -         |   |   |
|         |               | 12F MTP-SC     |  | 260053             | On-demand | 260052 *Beige | -          | -         | On-demand    | On-demand | On-demand *Beige | -          | -         |   |   |

|         | Splice cassette   |           |    | Blocs for splice cassette   |              |            |              |          |         | Copper cassettes | Connectors for coppers cassettes   |       |        |        |        |
|---------|---|-----------|----|---|--------------|------------|--------------|----------|---------|------------------|--|-------|--------|--------|--------|
|         |   |           |    | SM Blue   | SM APC Green | MM Aqua    | MM Violet    | MM beige | MM Lime |                  | UTP  | FTP   | STP    |        |        |
| Base 12 | 032141<br><br>PG 11<br>x 2 | 12 fibers | LC |    | 032114       | 032116     | 032137       | HVBL12   | -       | 032258           | 033755<br>   | Cat5e | 033753 | 033754 | -      |
|         |   |           | SC |    | 032111       | -          | -            | -        | 032121  | -                |  |       |        |        |        |
|         |   | 6 fibers  | LC |  | 032113       | -          | 032136       | -        | -       | -                | 033795<br> | Cat6  | 033763 | 033764 | 033765 |
|         |   |           | SC |  | 032110       | 032112     | -            | -        | 032120  | -                |  |       |        |        |        |
|         |   |           | ST |  | 032117       | SM Red cap | MM Black cap | 032127   |         |                  |  |       |        |        |        |

**⚠ Consignes de sécurité** (FR) (LU) (BE) (CH)  
Avant toute intervention, couper le courant.  
Respecter strictement les conditions d'installation et d'utilisation.

**⚠ Veiligheidsvoorschriften** (NL) (BE)  
Onderbreek voor enige ingreep de stroom.  
Neem de installatie- en gebruiksvoorwaarden nauwgezet in acht.

**⚠ Safety instructions** (GB) (IE)  
Make sure the power supply is disconnected before any intervention.  
Strictly comply with instructions for installation and use.

**⚠ Sicherheitshinweise** (DE) (CH)  
Vor jeglichem Eingriff die Spannungsfreiheit sicherstellen.  
Einbau- und Gebrauchsanleitungen sind genau zu beachten.

**⚠ Consignas de seguridad** (ES)  
Antes de realizar cualquier intervención, cortar la corriente eléctrica.  
Respetar estrictamente las condiciones de instalación y uso.

**⚠ Instruções de segurança** (PT)  
Antes de qualquer intervenção, desligar a corrente.  
Respeitar rigorosamente as condições de instalação e de utilização.

**⚠ Συστάσεις ασφαλείας** (GR) (CY)  
Πριν από οποιαδήποτε επέμβαση, διακόψτε την παροχή ρεύματος.  
Να τηρείτε ανστηρά τις συνθήκες εγκατάστασης και χρήσης.

**⚠ Меры предосторожности** (RU)  
Отключить питание перед проведением любых ремонтных работ.  
Строго соблюдайте требования к условиям монтажа и эксплуатации.

**⚠ Istruzioni di sicurezza** (IT) (CH)  
Prima di qualsiasi intervento, interrompere l'alimentazione.  
Rispettare scrupolosamente le condizioni d'installazione e uso.

**⚠ 安全提示**  
在任何干涉以前一定要断电，严格遵守安全和使用的规定。

إرشادات الأمان:  
«اقطع التيار الكهربائي قبل أي تدخل. تقيّد تقيداً تاماً بشروط التركيب والاستخدام.»