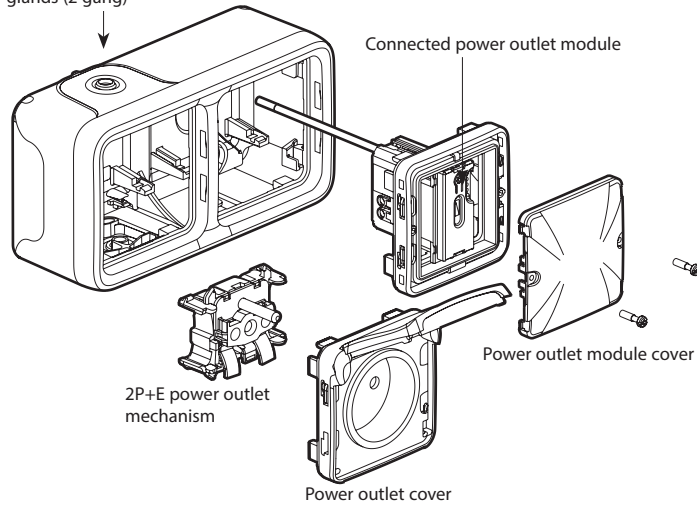


This pack is a connected accessory which **requires** you to buy and install the Plexo with Netatmo connected starter pack first.

**Pack contents**

Surface mounting box with membrane glands (2 gang)



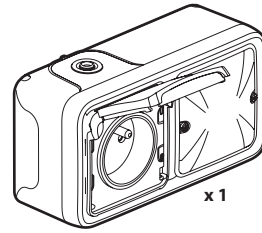
**⚠ Safety instructions**

This product should be installed in compliance with installation rules, preferably by a qualified electrician. Incorrect installation and/or incorrect use can lead to risk of electric shock or fire. Before carrying out the installation, read the instructions and take account of the product's specific mounting location. Do not open up, dismantle, alter or modify the device except where specifically required to do so by the instructions. All **Legrand** products must be opened and repaired exclusively by personnel trained and approved by **Legrand**. Any unauthorised opening or repair completely cancels all liabilities and the rights to replacement and guarantees. Use only **Legrand** brand accessories.

LE1738AA

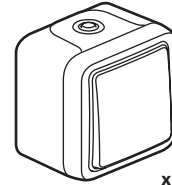
**Before you start: wiring precautions**

To control a **power outlet**, only use the products:



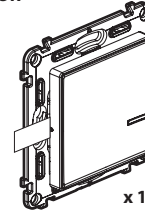
Connected power outlet

AND



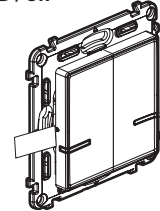
x 1

AND / OR



x 1  
or several

AND / OR



x 1  
or several

Wireless switch

Wireless switches 1gang or 2 gang for all control points (not included in this pack)

**⚠ Do not use:** a connected switch (with dimmer option) to control a connected power outlet or a traditional power outlet.

**1 Necessary safety precautions**



Remove the existing power outlet

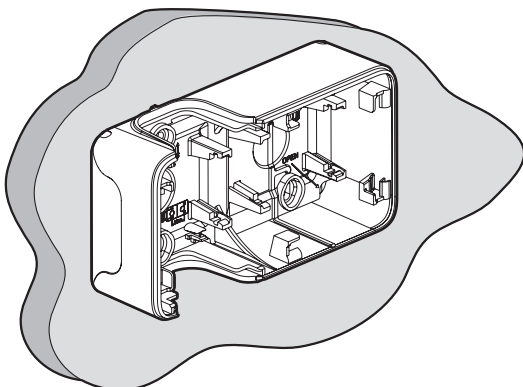
2



**Make sure that the power is off before continuing with the installation.**

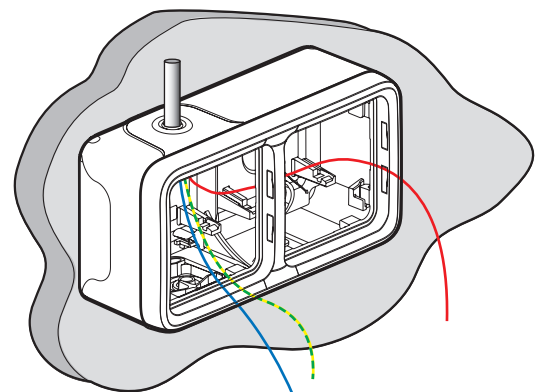
**2 Install the power outlet and the connected power outlet module**

**1 Fix the box on the wall**



**2 Install the power outlet and the connected power outlet module (cont.)**

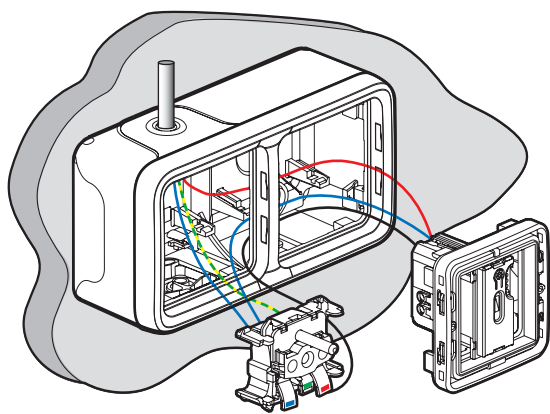
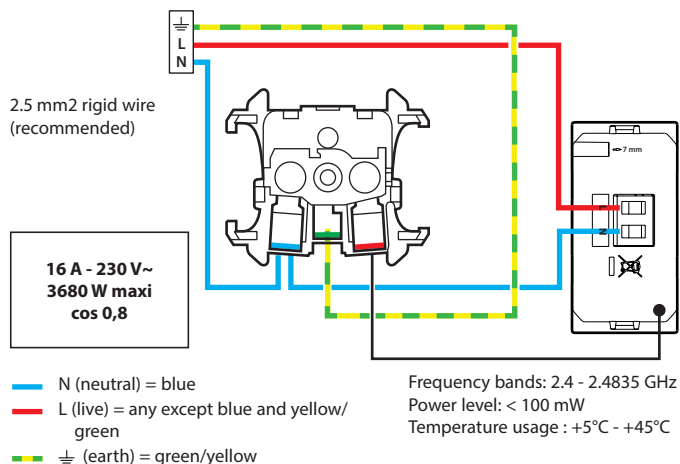
**2 Install the membrane glands, the wires and fix the cover plate**



The electrical protection must be 16 A

② Install the power outlet and the connected power outlet module (cont.)

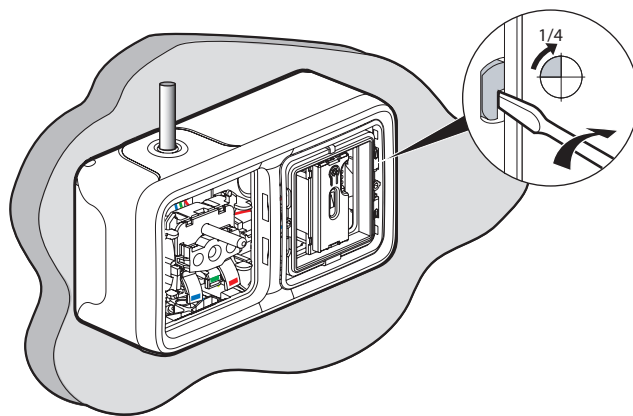
③ Wire the power outlet and its connected module



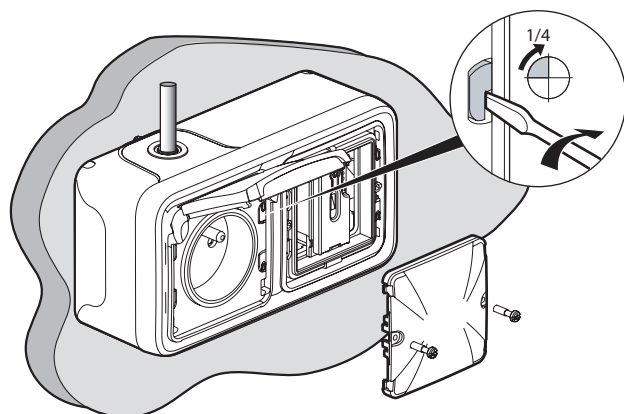
5

② Install the power outlet and the connected power outlet module (cont.)

④ Install the power outlet and the connected power outlet module in the box



⑤ Install the power outlet cover



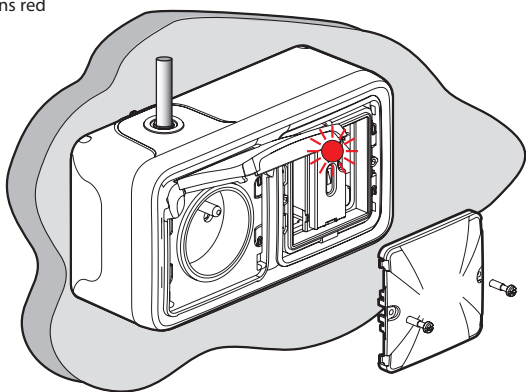
6

Power the wired connected power outlet

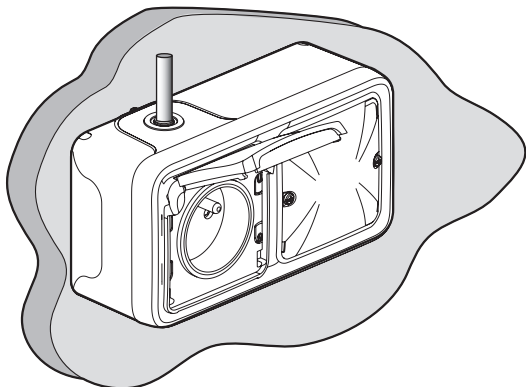


Turn on the main power

② The connected power outlet module light turns red



③ Install the connected power outlet module cover.



7

④ To add a connected product to your connected installation, you should follow the instructions:

- in the **user guide in your connected starter pack**
- in the **Legrand Home + Control application (Settings/Add a new product section)**
- or consult the user manual on [legrand.fr](http://legrand.fr)



[www.legrand.fr](http://www.legrand.fr)

LEGRAND - Pro and Consumer Service - BP 30076  
87002 LIMOGES CEDEX FRANCE • [www.legrand.com](http://www.legrand.com)

### SIMPLIFIED EU DECLARATION OF CONFORMITY

The undersigned,

**Legrand**

declares that the radio-electric equipment referred to in these instructions complies with directive 2014/53/EU.

The full text of the EU declaration of conformity is available on the following website :

[www.legrandoc.com](http://www.legrandoc.com)