


## Wireless roller shutters switch

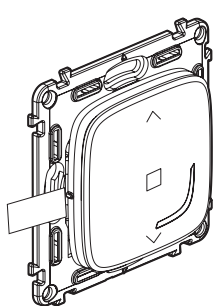
7 525 91 - 7 526 91 - 7 527 91 - 7 528 91 - 7 529 91



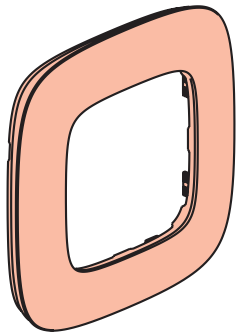
This pack is a connected accessory which **requires** you to buy and install the connected starter pack and one or more Valena Allure with Netatmo connected switches for roller shutters first.

 This product only controls Valena Allure with Netatmo connected switches for roller shutters.

### Pack contents



Wireless roller shutters switch



Finishing plate



x 4

Removable stickers

Frequency bands: 2.4 - 2.4835 GHz  
Power level: < 100 mW



[www.legrand.fr](http://www.legrand.fr)

LEGRAND - Pro and Consumer Service - BP 30076  
87002 LIMOGES CEDEX FRANCE • [www.legrand.com](http://www.legrand.com)

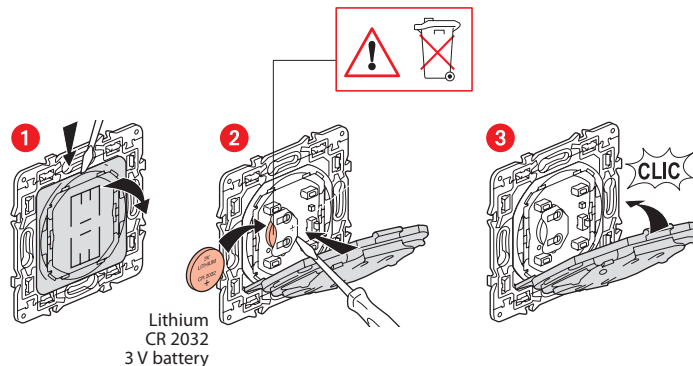
LE10744AA

### Install the wireless roller shutters switch

To pair the wireless roller shutters switch with your connected installation, you should follow the instructions:

- in the **user guide in your connected starter pack**
- in the **Legrand Home + Control application (Settings/Add a new product section)**
- or consult the user manual on [legrand.fr](http://legrand.fr)

### Replacing the battery



### SIMPLIFIED EU DECLARATION OF CONFORMITY

The undersigned,

**Legrand**

declares that the radio-electric equipment referred to in these instructions complies with directive 2014/53/EU.

The full text of the EU declaration of conformity is available on the following website:

[www.legrandoc.com](http://www.legrandoc.com)